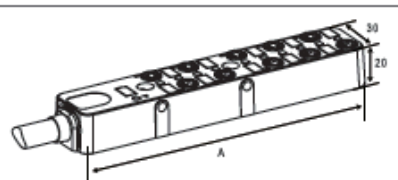
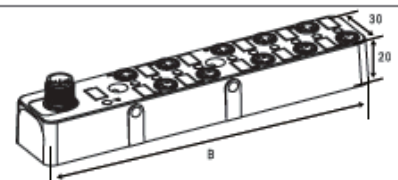




M8 Distribution Boxes

| Connection Type Technical Data | Pre-wired Cable | | M12 Connector |
|-----------------------------------|---|----------------------|-----------------------------|
| | No. of Ports | 4,6,8,10-port | 12-port |
| Channels per Port | 1 signal/2 signals | 1 signal | 1 signal/2 signals (4-port) |
| Output Type | PNP/NPN | | |
| Supply Voltage | 10-30VDC | | |
| Supply Voltage Indicator | LED green | | |
| Status Indicators | LED yellow (1st signal) /LED red (2nd signal) | | |
| Connector/Cable Length | Standard 3M/5M/10M | | |
| Cable/Connector | Standard PUR / PP Bending ≥ 5 mm | 12-pin M12 connector | |
| Housing Material | PC + ABS | | |
| Temperature Range | -40...+80°C | | |
| Protection Class | IP67 | | |

Dimensions

| Pre-wired Cable | M12 Connector |
|---|--|
| A:4,6,8,10,12-port | B:4,6,8,10-port |
| 93/110/130/154/174mm | 93/110/130/154mm |
|  |  |

Plastic distribution box SV-M8 series (M8 socket, with M12 plug connector)

Description

Plastic housing, distributed design, 4-/6-/8-/10way, single signal

Features:

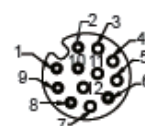
- Output (PNP)
- LED indicator and high protection class IP67
- Compact size - especially suitable for small space installation
- Standard 3m and 5m PUR cable for M12 connector, optional cable material and length

| Type List | SV-M8-4F-3P-M12-EL | SV-M8-6F-3P-M12-EL | SV-M8-8F-3P-M12-EL | SV-M8-10F-3P-M12-EL |
|----------------------------------|--|--------------------|--------------------|---------------------|
| Technical Data | | | | |
| Output Function | 1 signal | | | |
| Output Type | PNP | | | |
| Connection for Sensors/Actuators | 3-pin M8 female | | | |
| Locking Sockets | Threaded M8x1 | | | |
| Dimensions | | | | |
| Pin Assignment | | | | |
| Wiring Diagram | | | | |
| Supply Voltage | 10...30VDC (24VDC) | | | |
| Supply Voltage Indicator | LED green | | | |
| I/O Channels | | | | |
| Signals per Port | 1 | | | |
| Status Indicators | LED yellow | | | |
| Operating Current | Max. 1.5A | | | |
| Current Parameter | Max. 1.5A | | | |
| | Please do not operate cables above max. load capacity. | | | |
| Housing Material | Plastic | | | |
| | PC + ABS | | | |
| Protection Class | IP67 | | | |
| Temperature Range | -40...+80°C | | | |
| Resistance | Good resistance against chemicals and oils. The resistance to aggressive media should be individually verified for your application. | | | |
| Connector | M12(12pins) | | | |

Pin Assignment

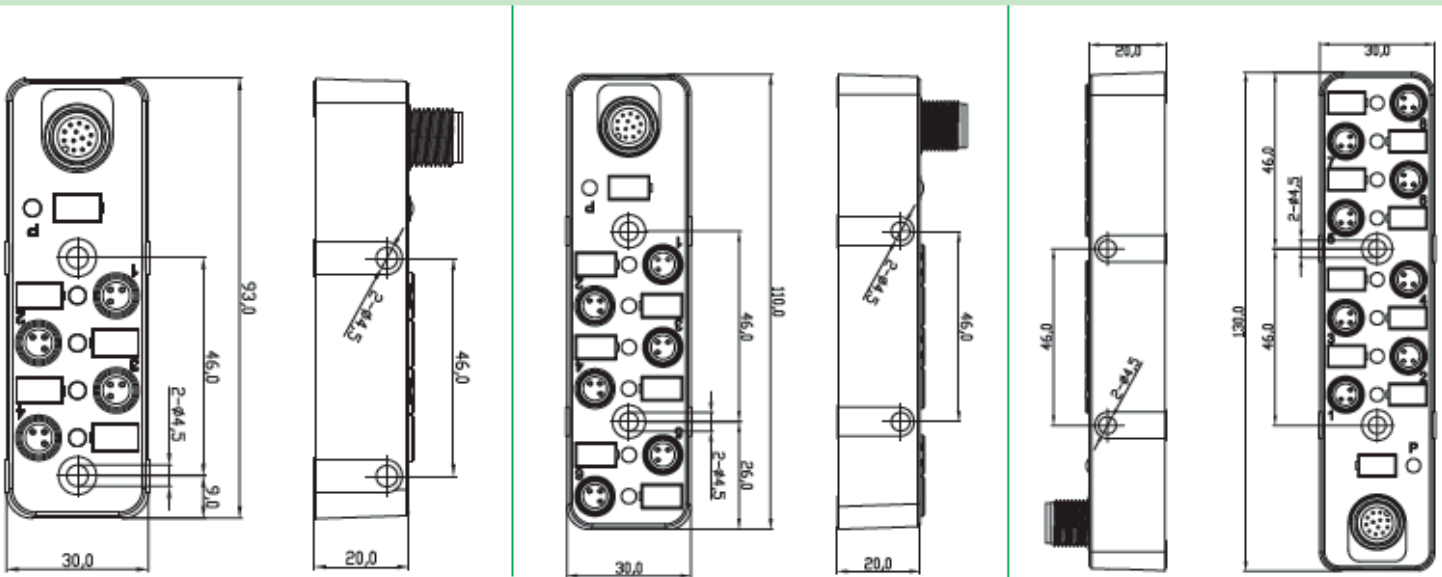


3-pin PNP 1 signal

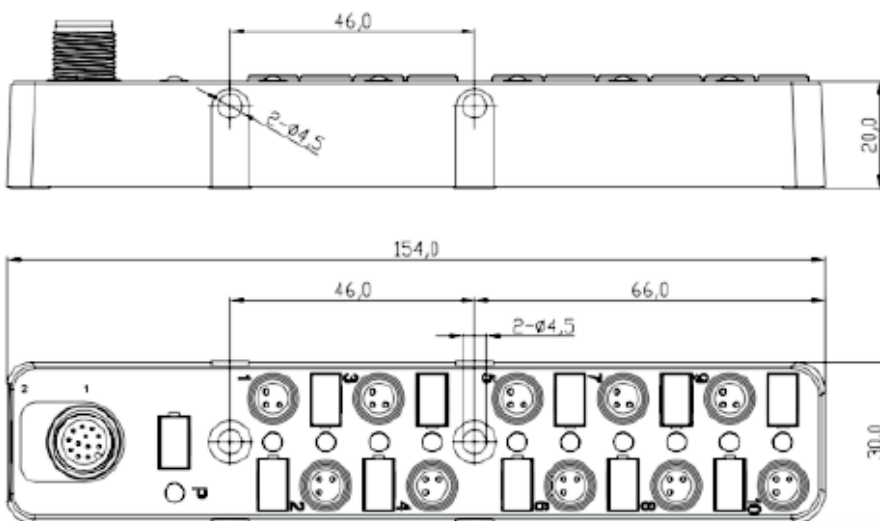


| 12-pin M12 Male | Suggested Cable Color |
|-----------------|-----------------------|
| 1 | BN |
| 2 | BU |
| 3 | WH |
| 4 | GN |
| 5 | PK |
| 6 | YE |
| 7 | BK |
| 8 | GY |
| 9 | RD |
| 10 | VT |
| 11 | GY/PK |
| 12 | RD/BU |

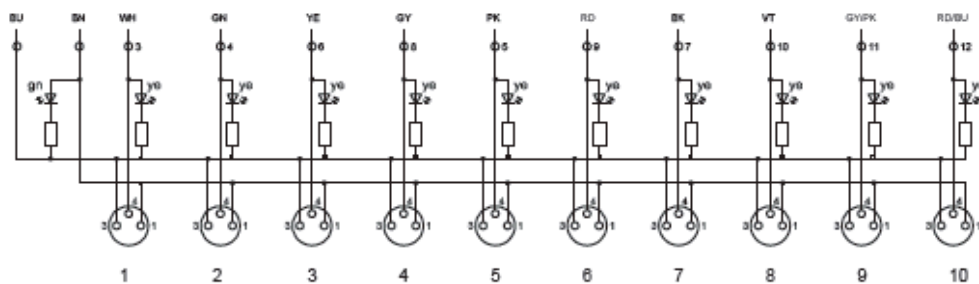
Dimensions



Dimensions



Wiring Diagram



C+R Automations- GmbH
 Nürnberger Straße 45
 90513 Zirndorf

Tel. +49 (0)911 656587-0
 E-Mail: info@crautomation.de
www.crautomation.de