



Product Description:

- Single and dual channel input is optional
- LED shows working status, channel 1, channel 2
- Automatic manual reset is optional
- Channel interaction monitoring function
- External loop monitoring function
- Dimensions of form : 22.5×99×114.5mm
- Suitable for safety light curtain, emergency stop button, safety door monitoring and so on.

Model Selection Table:

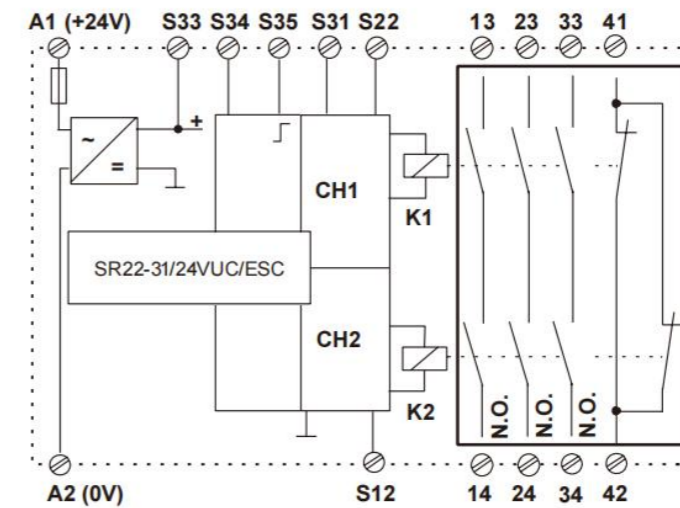
Type	Notes	Supply voltage	Input channel	Safety output	Auxiliary output
SR22-11/24VUC/ESC	Emergency-Stop Module	24VDC/AC	2	1	1
SR22-20/24VUC/ESC	Emergency-Stop Module	24VDC/AC	2	2	0
SR22-31/24VUC/ESC	Emergency-Stop Module	24VDC/AC	2	3	1
SR22-40/24VUC/ESC	Emergency-Stop Module	24VDC/AC	2	4	0

Technical parameters:

Conforms to the categories defined by EN ISO 13849 and EN 954-1	4	Off (on) Delay (auto start)	300ms
Compliance with EN ISO 13849-1 performance level (PL)	PL e	Release time (rated voltage)	≤20ms
Supply voltage U _B	24VAC/DC ± 20%	Time window for signal sequence monitoring	20ms
B10 _d	DC 13: 10 million switch cycles	S12, S22 and S31 control voltage/current	24V DC / 40 mA
	AC 15: 1.4 million switch cycles	Maximum input current	100mA
Stop category	Class 0 stop, in accordance with IEC 60204-1	Allowable input wire resistance	< 30 Ω
Average frequency of a dangerous failure of the safety function (PFH _d)	2.0 × 10 ⁻⁸	Operating temperature	0...+55° C
Consumption	3W	Storage temperature	- 25...+70° C
The external safety of the power supply circuit	200mA Delay action	Over voltage level Class III determination voltage 300VAC according to VDE 0110 Part 1	
Output contact	3 NO+1NC	Vibration	10Hz...55Hz 1.5mm dual vibration
Contact switching current Resistive load: 3A Max. external insurance 3A		Pollution level	2
240VAC(AC-15) : Rated at 1.5A, external insurance 2.5A		Anti-interference strength	EN 61496-1: 2005 4 type
240VDC(DC-13) : Rated at 1.5A, external insurance 1.5A		Protection level	Enclosure protection class IP 40, terminal protection class IP 20
Contact switching capability		Cable size	Flexible, 0.2...2.5 mm ² · Single core
1x105 times(1NO:6A 30VDC, Resistive load, 85°C, 1s Switch on 9s Switch off)			Flexible, 0.25...2.5 mm ² · Single core, Casing with wire
1x105 times(1NO:6A 250VDC, Resistive load, 85°C, 1s Switch on 9s Switch off)			Flexible, 0.5...2.5 mm ² · Double core, Casing with wire
Mechanical life	10 million switch cycles		Flexible, 0.25...2.5 mm ² · Double core, Casing with wire
Turn off (on) delay - start manually	30ms		Flexible, 0.2...1.5 mm ² · Double core
			Flexible, 0.2...1.0 mm ² · Double core, Casing with wire
		Weight	About 170g

Emergency Stop Module-SR22

Internal structure block diagram:



Mechanical diagram:

