

# << Inductive Sensor

## Metal Barrel-G series

M8x1



### Description:

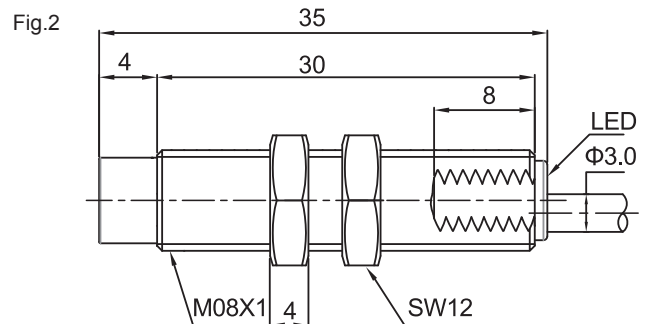
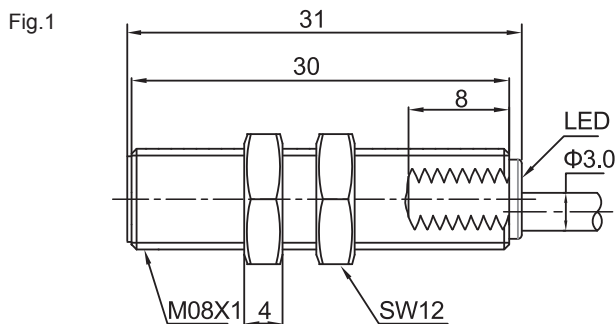
Brass nickel-plated, threaded barrel, extended operating distance, DC 3-wire output, IP68 protection class, LED indicator.

Inductive Sensors

### Technical Data:

Type	Rated Operating Distance $S_n$	Mounting	Output	Voltage Range $U_B$	Rated Current	Switching Frequency	Ambient Temperature	Connection	Fig
Fi2-G08-OP6L	2mm	Flush	PNP NO	10...30VDC	$\leq 200\text{mA}$	1400Hz	-30...85°C	2m cable	Fig.1
Fi2-G08-CP6L	2mm	Flush	PNP NC	10...30VDC	$\leq 200\text{mA}$	1400Hz	-30...85°C	2m cable	Fig.1
Fi2-G08-ON6L	2mm	Flush	NPN NO	10...30VDC	$\leq 200\text{mA}$	1400Hz	-30...85°C	2m cable	Fig.1
Fi2-G08-CN6L	2mm	Flush	NPN NC	10...30VDC	$\leq 200\text{mA}$	1400Hz	-30...85°C	2m cable	Fig.1
Ni4-G08-OP6L	4mm	Non-flush	PNP NO	10...30VDC	$\leq 200\text{mA}$	750Hz	-30...85°C	2m cable	Fig.2
Ni4-G08-CP6L	4mm	Non-flush	PNP NC	10...30VDC	$\leq 200\text{mA}$	750Hz	-30...85°C	2m cable	Fig.2
Ni4-G08-ON6L	4mm	Non-flush	NPN NO	10...30VDC	$\leq 200\text{mA}$	750Hz	-30...85°C	2m cable	Fig.2
Ni4-G08-CN6L	4mm	Non-flush	NPN NC	10...30VDC	$\leq 200\text{mA}$	750Hz	-30...85°C	2m cable	Fig.2

### Dimensions:



# << Inductive Sensor

## Metal Barrel-G series

M8x1



### Description:

Brass nickel-plated, threaded barrel, extended operating distance, DC 3-wire output, IP68 protection class, LED indicator.

Inductive Sensors

### Technical Data:

Type	Rated Operating Distance S <sub>n</sub>	Mounting	Output	Voltage Range U <sub>B</sub>	Rated Current	Switching Frequency	Ambient Temperature	Connection	Fig
Fi2-G08-OP6L-Q8	2mm	Flush	PNP NO	10...30VDC	≤200mA	1400Hz	-30...85°C	M8 Connector	Fig.1
Fi2-G08-CP6L-Q8	2mm	Flush	PNP NC	10...30VDC	≤200mA	1400Hz	-30...85°C	M8 Connector	Fig.1
Fi2-G08-ON6L-Q8	2mm	Flush	NPN NO	10...30VDC	≤200mA	1400Hz	-30...85°C	M8 Connector	Fig.1
Fi2-G08-CN6L-Q8	2mm	Flush	NPN NC	10...30VDC	≤200mA	1400Hz	-30...85°C	M8 Connector	Fig.1
Ni4-G08-OP6L-Q8	4mm	Non-flush	PNP NO	10...30VDC	≤200mA	750Hz	-30...85°C	M8 Connector	Fig.2
Ni4-G08-CP6L-Q8	4mm	Non-flush	PNP NC	10...30VDC	≤200mA	750Hz	-30...85°C	M8 Connector	Fig.2
Ni4-G08-ON6L-Q8	4mm	Non-flush	NPN NO	10...30VDC	≤200mA	750Hz	-30...85°C	M8 Connector	Fig.2
Ni4-G08-CN6L-Q8	4mm	Non-flush	NPN NC	10...30VDC	≤200mA	750Hz	-30...85°C	M8 Connector	Fig.2

### Dimensions:

Fig.1

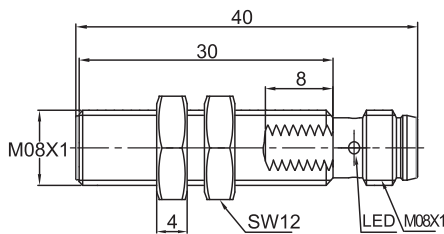
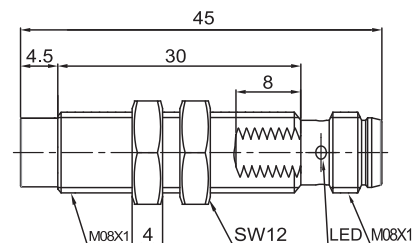


Fig.2



# << Inductive Sensor

## Metal Barrel-G3 series

M8x1



### Description:

Brass nickel-plated, threaded barrel, extended operating distance, DC 3-wire output, IP68 protection class, LED indicator.

Inductive Sensors

### Technical Data:

Type	Rated Operating Distance S <sub>n</sub>	Mounting	Output	Voltage Range U <sub>B</sub>	Rated Current	Switching Frequency	Ambient Temperature	Connection	Fig
Fi3-G08-OP6L	3mm	Flush	PNP NO	10...30VDC	≤200mA	500Hz	-25...70°C	2m cable	Fig.1
Fi3-G08-CP6L	3mm	Flush	PNP NC	10...30VDC	≤200mA	500Hz	-25...70°C	2m cable	Fig.1
Fi3-G08-ON6L	3mm	Flush	NPN NO	10...30VDC	≤200mA	500Hz	-25...70°C	2m cable	Fig.1
Fi3-G08-CN6L	3mm	Flush	NPN NC	10...30VDC	≤200mA	500Hz	-25...70°C	2m cable	Fig.1
Ni6-G08-OP6L	6mm	Non-flush	PNP NO	10...30VDC	≤200mA	500Hz	-25...70°C	2m cable	Fig.2
Ni6-G08-CP6L	6mm	Non-flush	PNP NC	10...30VDC	≤200mA	500Hz	-25...70°C	2m cable	Fig.2
Ni6-G08-ON6L	6mm	Non-flush	NPN NO	10...30VDC	≤200mA	500Hz	-25...70°C	2m cable	Fig.2
Ni6-G08-CN6L	6mm	Non-flush	NPN NC	10...30VDC	≤200mA	500Hz	-25...70°C	2m cable	Fig.2

### Dimensions:

Fig.1

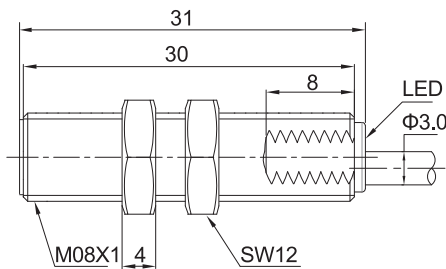
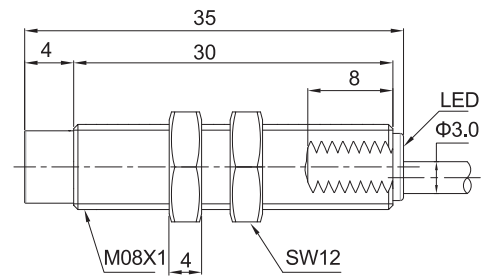


Fig.2



# << Inductive Sensor

## Metal Barrel-G3 series

M8x1



### Description:

Brass nickel-plated, threaded barrel, extended operating distance, DC 3-wire output, IP68 protection class, LED indicator, M8 connector.

Inductive Sensors

### Technical Data:

Type	Rated Operating Distance Sn	Mounting	Output	Voltage Range U <sub>B</sub>	Rated Current	Switching Frequency	Ambient Temperature	Connection	Fig
Fi3-G08-OP6L-Q8	3mm	Flush	PNP NO	10...30VDC	≤200mA	500Hz	-25...70°C	M8 Connector	Fig.1
Fi3-G08-CP6L-Q8	3mm	Flush	PNP NC	10...30VDC	≤200mA	500Hz	-25...70°C	M8 Connector	Fig.1
Fi3-G08-ON6L-Q8	3mm	Flush	NPN NO	10...30VDC	≤200mA	500Hz	-25...70°C	M8 Connector	Fig.1
Fi3-G08-CN6L-Q8	3mm	Flush	NPN NC	10...30VDC	≤200mA	500Hz	-25...70°C	M8 Connector	Fig.1
Ni6-G08-OP6L-Q8	6mm	Non-flush	PNP NO	10...30VDC	≤200mA	500Hz	-25...70°C	M8 Connector	Fig.2
Ni6-G08-CP6L-Q8	6mm	Non-flush	PNP NC	10...30VDC	≤200mA	500Hz	-25...70°C	M8 Connector	Fig.2
Ni6-G08-ON6L-Q8	6mm	Non-flush	NPN NO	10...30VDC	≤200mA	500Hz	-25...70°C	M8 Connector	Fig.2
Ni6-G08-CN6L-Q8	6mm	Non-flush	NPN NC	10...30VDC	≤200mA	500Hz	-25...70°C	M8 Connector	Fig.2

### Dimensions:

Fig.1

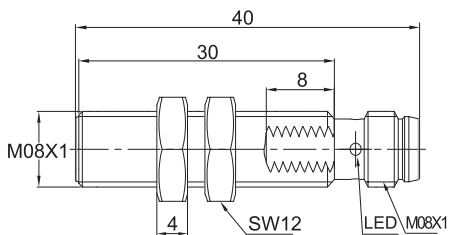


Fig.2

