

<< Inductive Sensor

Metal Barrel-G series

M12x1



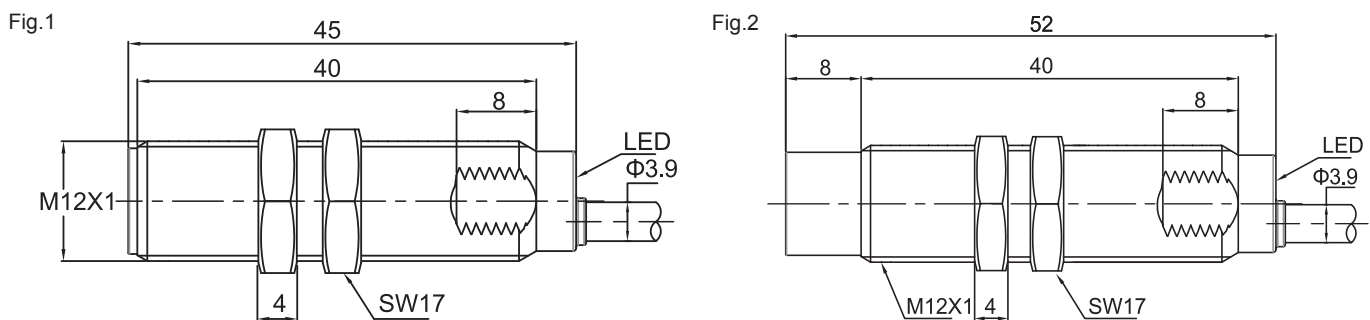
Description:

Brass nickel-plated, threaded barrel, extended operating distance, DC 3-wire output, IP68 protection class, LED indicator.

Technical Data:

Type	Rated Operating Distance S_n	Mounting	Output	Voltage Range U_B	Rated Current	Switching Frequency	Ambient Temperature	Connection	Fig
Fi4-G12-OP6L	4mm	Flush	PNP NO	10...30VDC	$\leq 200\text{mA}$	650Hz	-30...85°C	2m cable	Fig.1
Fi4-G12-CP6L	4mm	Flush	PNP NC	10...30VDC	$\leq 200\text{mA}$	650Hz	-30...85°C	2m cable	Fig.1
Fi4-G12-ON6L	4mm	Flush	NPN NO	10...30VDC	$\leq 200\text{mA}$	650Hz	-30...85°C	2m cable	Fig.1
Fi4-G12-CN6L	4mm	Flush	NPN NC	10...30VDC	$\leq 200\text{mA}$	650Hz	-30...85°C	2m cable	Fig.1
Ni6-G12-OP6L	6mm	Non-flush	PNP NO	10...30VDC	$\leq 200\text{mA}$	600Hz	-30...85°C	2m cable	Fig.2
Ni6-G12-CP6L	6mm	Non-flush	PNP NC	10...30VDC	$\leq 200\text{mA}$	600Hz	-30...85°C	2m cable	Fig.2
Ni6-G12-ON6L	6mm	Non-flush	NPN NO	10...30VDC	$\leq 200\text{mA}$	600Hz	-30...85°C	2m cable	Fig.2
Ni6-G12-CN6L	6mm	Non-flush	NPN NC	10...30VDC	$\leq 200\text{mA}$	600Hz	-30...85°C	2m cable	Fig.2
Ni8-G12-OP6L	8mm	Non-flush	PNP NO	10...30VDC	$\leq 200\text{mA}$	500Hz	-30...85°C	2m cable	Fig.2
Ni8-G12-CP6L	8mm	Non-flush	PNP NC	10...30VDC	$\leq 200\text{mA}$	500Hz	-30...85°C	2m cable	Fig.2
Ni8-G12-ON6L	8mm	Non-flush	NPN NO	10...30VDC	$\leq 200\text{mA}$	500Hz	-30...85°C	2m cable	Fig.2
Ni8-G12-CN6L	8mm	Non-flush	NPN NC	10...30VDC	$\leq 200\text{mA}$	500Hz	-30...85°C	2m cable	Fig.2

Dimensions:



<< Inductive Sensor

Metal Barrel-G series

M12x1



Description:

Brass nickel-plated, threaded barrel, extended operating distance, DC 3-wire output, IP68 protection class, LED indicator.

Technical Data:

Type	Rated Operating Distance S _n	Mounting	Output	Voltage Range U _B	Rated Current	Switching Frequency	Ambient Temperature	Connection	Fig
Fi4-G12-OP6L-Q12	4mm	Flush	PNP NO	10...30VDC	≤200mA	650Hz	-30...85°C	M12 Connector	Fig.1
Fi4-G12-CP6L-Q12	4mm	Flush	PNP NC	10...30VDC	≤200mA	650Hz	-30...85°C	M12 Connector	Fig.1
Fi4-G12-ON6L-Q12	4mm	Flush	NPN NO	10...30VDC	≤200mA	650Hz	-30...85°C	M12 Connector	Fig.1
Fi4-G12-CN6L-Q12	4mm	Flush	NPN NC	10...30VDC	≤200mA	650Hz	-30...85°C	M12 Connector	Fig.1
Ni6-G12-OP6L-Q12	6mm	Non-flush	PNP NO	10...30VDC	≤200mA	600Hz	-30...85°C	M12 Connector	Fig.2
Ni6-G12-CP6L-Q12	6mm	Non-flush	PNP NC	10...30VDC	≤200mA	600Hz	-30...85°C	M12 Connector	Fig.2
Ni6-G12-ON6L-Q12	6mm	Non-flush	NPN NO	10...30VDC	≤200mA	600Hz	-30...85°C	M12 Connector	Fig.2
Ni6-G12-CN6L-Q12	6mm	Non-flush	NPN NC	10...30VDC	≤200mA	600Hz	-30...85°C	M12 Connector	Fig.2
Ni8-G12-OP6L-Q12	8mm	Non-flush	PNP NO	10...30VDC	≤200mA	500Hz	-30...85°C	M12 Connector	Fig.2
Ni8-G12-CP6L-Q12	8mm	Non-flush	PNP NC	10...30VDC	≤200mA	500Hz	-30...85°C	M12 Connector	Fig.2
Ni8-G12-ON6L-Q12	8mm	Non-flush	NPN NO	10...30VDC	≤200mA	500Hz	-30...85°C	M12 Connector	Fig.2
Ni8-G12-CN6L-Q12	8mm	Non-flush	NPN NC	10...30VDC	≤200mA	500Hz	-30...85°C	M12 Connector	Fig.2

Dimensions:

Fig.1

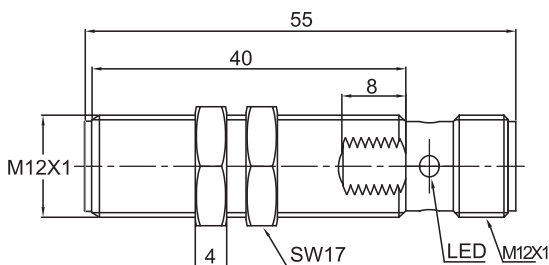
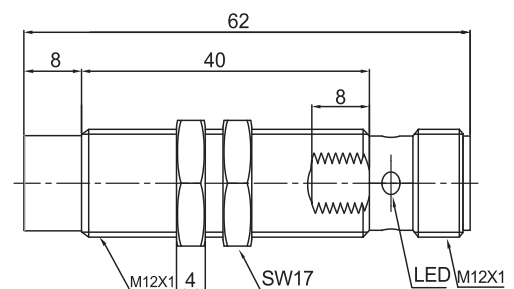


Fig.2



<< Inductive Sensor

Metal Barrel-G3 series

M12x1



Description:

Brass nickel-plated, threaded barrel, extended operating distance, DC 3-wire output, IP68 protection class, LED indicator.

Technical Data:

Type	Rated Operating Distance S_n	Mounting	Output	Voltage Range U_g	Rated Current	Switching Frequency	Ambient Temperature	Connection	Fig
Fi6-G12-OP6L	6mm	Flush	PNP NO	10...30VDC	≤200mA	200Hz	-25...70°C	2m cable	Fig.1
Fi6-G12-CP6L	6mm	Flush	PNP NC	10...30VDC	≤200mA	200Hz	-25...70°C	2m cable	Fig.1
Fi6-G12-ON6L	6mm	Flush	NPN NO	10...30VDC	≤200mA	200Hz	-25...70°C	2m cable	Fig.1
Fi6-G12-CN6L	6mm	Flush	NPN NC	10...30VDC	≤200mA	200Hz	-25...70°C	2m cable	Fig.1
Ni10-G12-OP6L	10mm	Non-flush	PNP NO	10...30VDC	≤200mA	200Hz	-25...70°C	2m cable	Fig.2
Ni10-G12-CP6L	10mm	Non-flush	PNP NC	10...30VDC	≤200mA	200Hz	-25...70°C	2m cable	Fig.2
Ni10-G12-ON6L	10mm	Non-flush	NPN NO	10...30VDC	≤200mA	200Hz	-25...70°C	2m cable	Fig.2
Ni10-G12-CN6L	10mm	Non-flush	NPN NC	10...30VDC	≤200mA	200Hz	-25...70°C	2m cable	Fig.2

Dimensions:

Fig.1

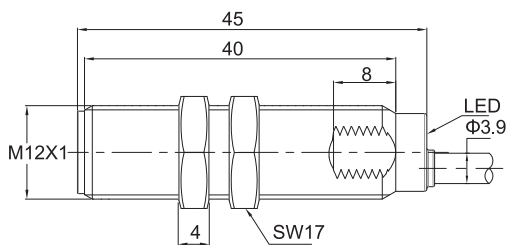
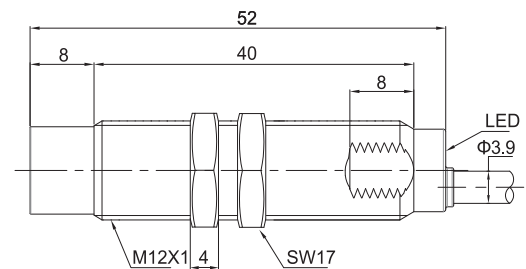


Fig.2



<< Inductive Sensor

Metal Barrel-G3 series

M12x1



Description:

Brass nickel-plated, threaded barrel, extended operating distance, DC 3-wire output, IP68 protection class, LED indicator, M12 connector.

Technical Data:

Type	Rated Operating Distance S _n	Mounting	Output	Voltage Range U _B	Rated Current	Switching Frequency	Ambient Temperature	Connection	Fig
Fi6-G12-OP6L-Q12	6mm	Flush	PNP NO	10...30VDC	≤200mA	500Hz	-25...70°C	M12 Connector	Fig.1
Fi6-G12-CP6L-Q12	6mm	Flush	PNP NC	10...30VDC	≤200mA	500Hz	-25...70°C	M12 Connector	Fig.1
Fi6-G12-ON6L-Q12	6mm	Flush	NPN NO	10...30VDC	≤200mA	500Hz	-25...70°C	M12 Connector	Fig.1
Fi6-G12-CN6L-Q12	6mm	Flush	NPN NC	10...30VDC	≤200mA	500Hz	-25...70°C	M12 Connector	Fig.1
Ni10-G12-OP6L-Q12	10mm	Non-flush	PNP NO	10...30VDC	≤200mA	500Hz	-25...70°C	M12 Connector	Fig.2
Ni10-G12-CP6L-Q12	10mm	Non-flush	PNP NC	10...30VDC	≤200mA	500Hz	-25...70°C	M12 Connector	Fig.2
Ni10-G12-ON6L-Q12	10mm	Non-flush	NPN NO	10...30VDC	≤200mA	500Hz	-25...70°C	M12 Connector	Fig.2
Ni10-G12-CN6L-Q12	10mm	Non-flush	NPN NC	10...30VDC	≤200mA	500Hz	-25...70°C	M12 Connector	Fig.2

Dimensions:

Fig.1

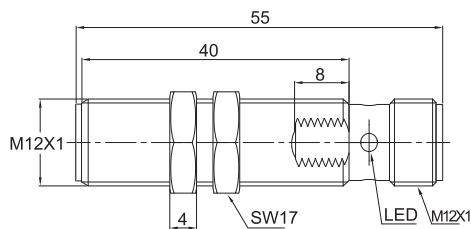


Fig.2

