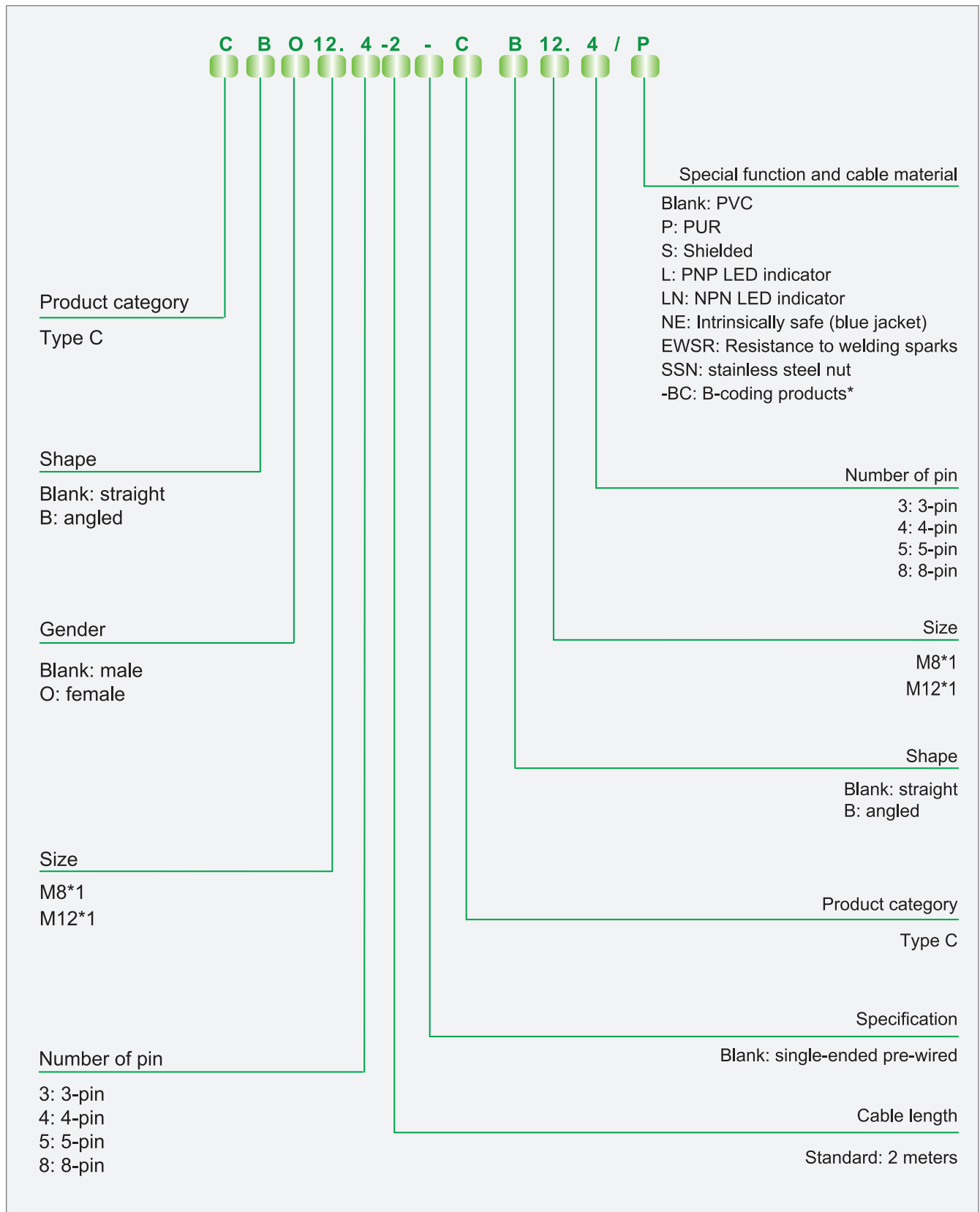
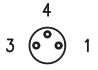
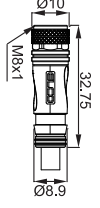
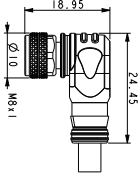

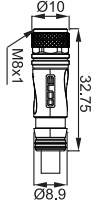
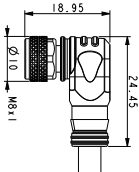

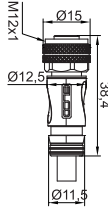
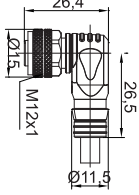
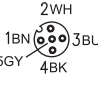
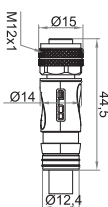
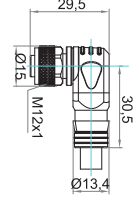

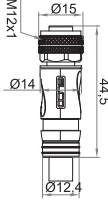
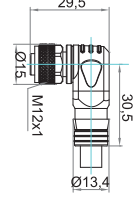


Accessories - connector



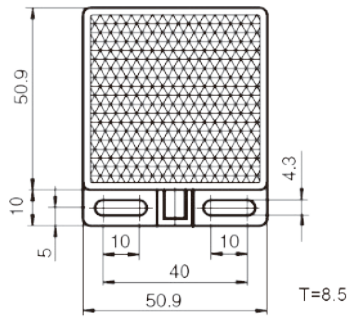
Accessories - connector

Size and pin assignment	Adapter connector																	
	Straight	Angled																
M8  <table border="1" data-bbox="365 546 462 615"> <tr><td>1</td><td>br/BN</td></tr> <tr><td>3</td><td>bl/BU</td></tr> <tr><td>4</td><td>sw/BK</td></tr> </table>	1	br/BN	3	bl/BU	4	sw/BK												
1	br/BN																	
3	bl/BU																	
4	sw/BK																	
M8  <table border="1" data-bbox="365 826 495 929"> <tr><td>1</td><td>br/BN</td></tr> <tr><td>2</td><td>ws/WH</td></tr> <tr><td>3</td><td>bl/BU</td></tr> <tr><td>4</td><td>sw/BK</td></tr> </table>	1	br/BN	2	ws/WH	3	bl/BU	4	sw/BK										
1	br/BN																	
2	ws/WH																	
3	bl/BU																	
4	sw/BK																	
M12  <table border="1" data-bbox="365 1113 527 1251"> <tr><td>1</td><td>br/BN</td></tr> <tr><td>2</td><td>ws/WH</td></tr> <tr><td>3</td><td>bl/BU</td></tr> <tr><td>4</td><td>sw/BK</td></tr> <tr><td>5</td><td>Blindloch/ dummy hole</td></tr> </table>	1	br/BN	2	ws/WH	3	bl/BU	4	sw/BK	5	Blindloch/ dummy hole								
1	br/BN																	
2	ws/WH																	
3	bl/BU																	
4	sw/BK																	
5	Blindloch/ dummy hole																	
M12  <table border="1" data-bbox="365 1435 527 1572"> <tr><td>1</td><td>br/BN</td></tr> <tr><td>2</td><td>ws/WH</td></tr> <tr><td>3</td><td>bl/BU</td></tr> <tr><td>4</td><td>sw/BK</td></tr> <tr><td>5</td><td>gr/GY</td></tr> </table>	1	br/BN	2	ws/WH	3	bl/BU	4	sw/BK	5	gr/GY								
1	br/BN																	
2	ws/WH																	
3	bl/BU																	
4	sw/BK																	
5	gr/GY																	
M12  <table border="1" data-bbox="365 1710 479 1894"> <tr><td>1</td><td>ws/WH</td></tr> <tr><td>2</td><td>br/BN</td></tr> <tr><td>3</td><td>gn/GN</td></tr> <tr><td>4</td><td>ge/YE</td></tr> <tr><td>5</td><td>gr/GY</td></tr> <tr><td>6</td><td>rs/PK</td></tr> <tr><td>7</td><td>bl/BU</td></tr> <tr><td>8</td><td>rt/RD</td></tr> </table>	1	ws/WH	2	br/BN	3	gn/GN	4	ge/YE	5	gr/GY	6	rs/PK	7	bl/BU	8	rt/RD		
1	ws/WH																	
2	br/BN																	
3	gn/GN																	
4	ge/YE																	
5	gr/GY																	
6	rs/PK																	
7	bl/BU																	
8	rt/RD																	

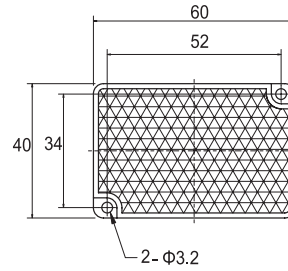
Accessories

Reflector:

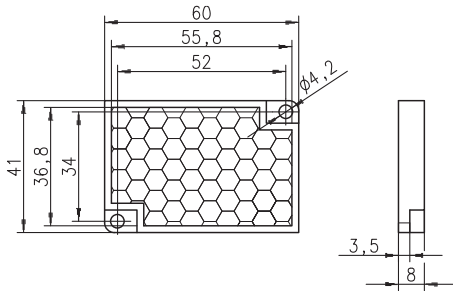
RB50x50



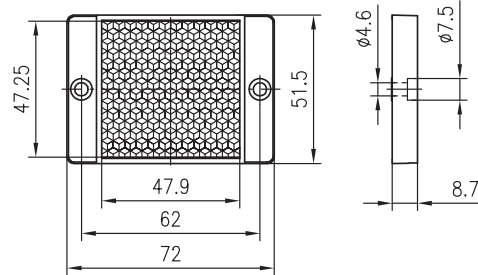
RB40x60



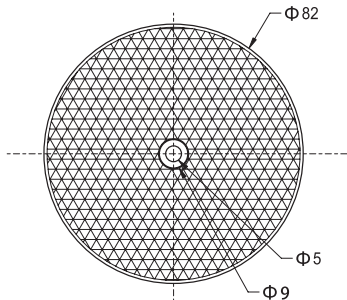
RB40x60-1



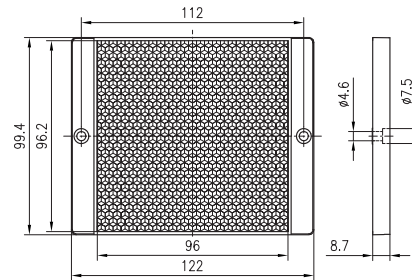
RB50x50-1



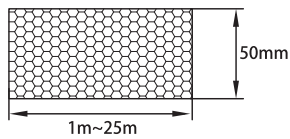
RB80



RB100x100



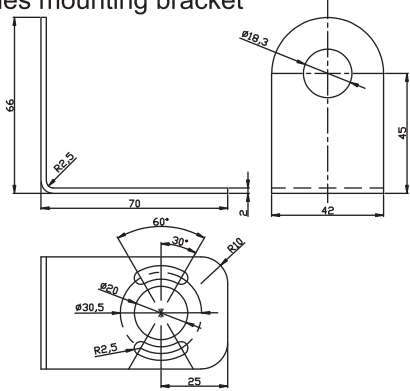
Reflective tape
RT50-1



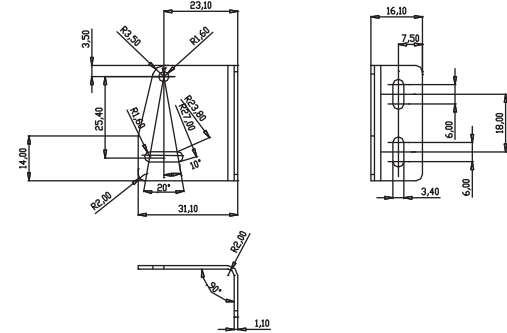
Accessories

Mounting bracket:

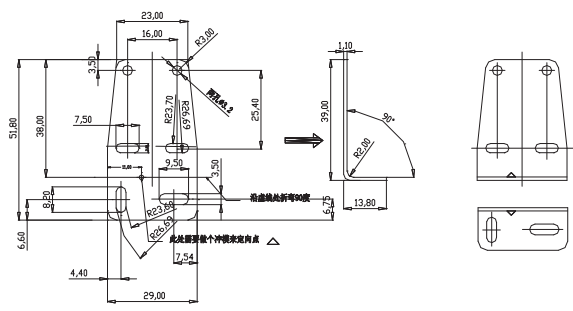
Barrel 18 series mounting bracket
EO18DF



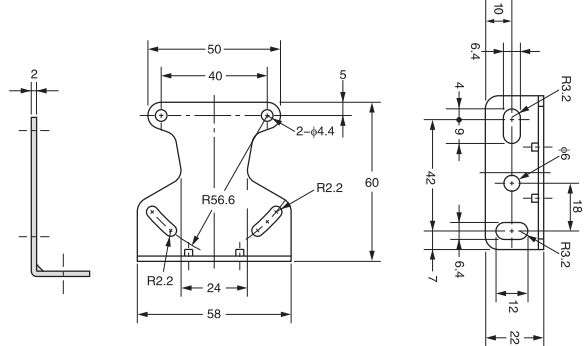
OS12 series mounting bracket
EOS12DF-2



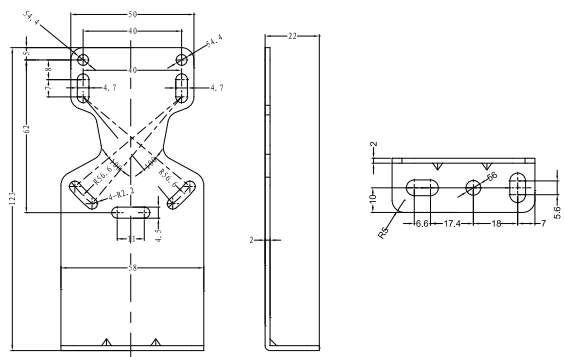
OS12 series mounting bracket
EOS12DF-1



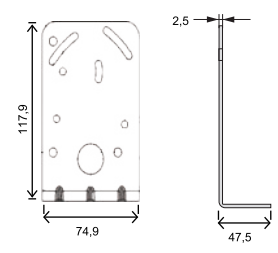
OS50 Series Mounting Bracket
EOS50-1



OSM60 & OSM70 series universal mounting bracket
EOSM60-1 / EOSM70-1



OSM72 mounting bracket
EOSM72-1

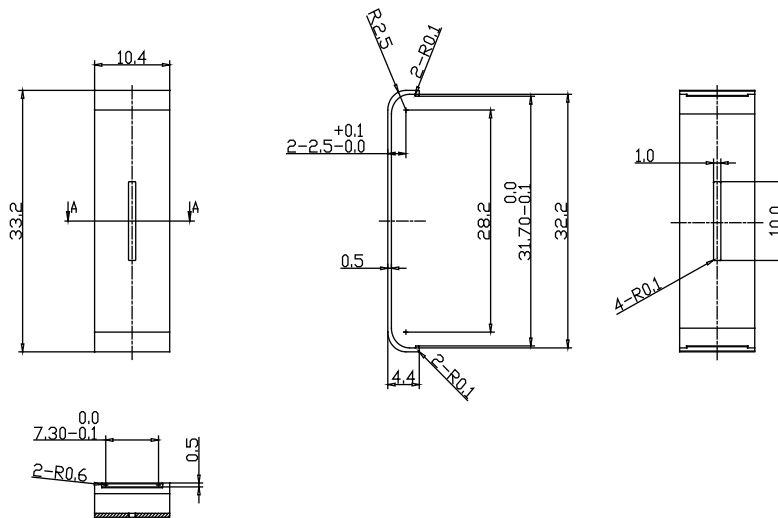


OSM72 mounting bracket (optional)
EOSM72-1

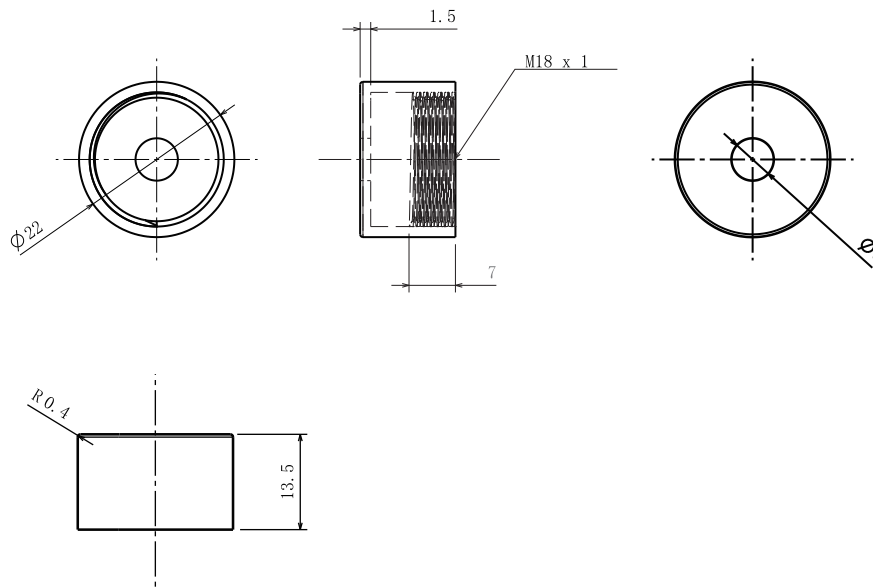
Accessories

Slit:

OS12 series slit
SOS12-1



OM18\OP18\OG18 slit
SOM18-1



ELCO Industrie Automation GmbH
Benzstrasse 7
71720 Oberstenfeld
Deutschland
E-Mail: info@elco-automation.de



www.elco-automation.de

C+R Automations- GmbH

Nürnberger Straße 45
90513 Zirndorf

Tel. +49 (0)911 656587-0
E-Mail: info@cractionation.de
www.cractionation.de