



Description:

Micron-class laser distance sensor, 655nm laser light source, metal case, OLED display functions and key settings. Data analysis can be carried out through its own host computer software, with rich interfaces. It is suitable for auto parts, 3C, lithium battery, photovoltaic, semiconductor and other industries.

Features:

- OLED digital display + teach-in function
- The compact all-in-one body design eliminates the need to connect an external controller
- The output interface is abundant, and the host computer is connected through 485

Type:

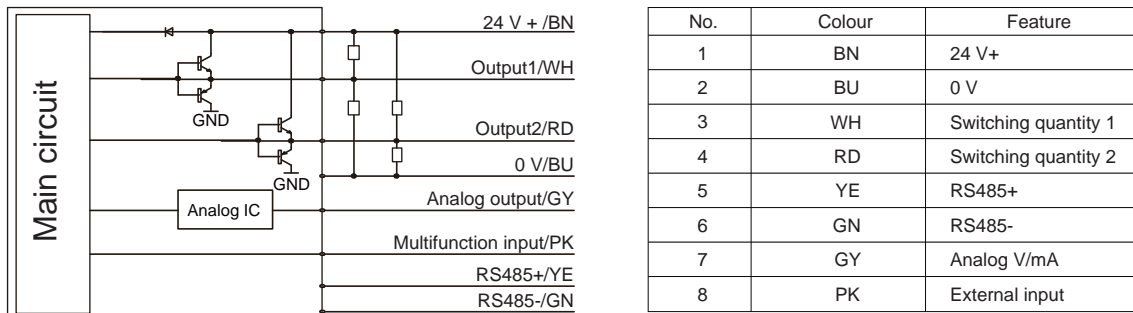
Type	Distance	Light source	Output	Resolution	Connection	Wiring
OSM61-KL30C2BLIU6/485	30±4 mm	Red laser	Push-Pull + analog V/mA + RS485	0.1 um	2 m cable	Fig. 1
OSM61-KL50C2BLIU6/485	50±10 mm	Red laser	Push-Pull + analog V/mA + RS485	1 um	2 m cable	Fig. 1
OSM61-KL85C2BLIU6/485	85±20 mm	Red laser	Push-Pull + analog V/mA + RS485	1 um	2 m cable	Fig. 1
OSM61-KL120C2BLIU6/485	120±60 mm	Red laser	Push-Pull + analog V/mA + RS485	1 um	2 m cable	Fig. 1
OSM61-KL250C2BLIU6/485	250±150 mm	Red laser	Push-Pull + analog V/mA + RS485	1 um	2 m cable	Fig. 1

Technical Data:

Operating voltage	10 ... 30 V DC±10 % including pulse fluctuations 0.5 V (P-P)
Light source	Red (655nm)/class 2 laser
Power	Power < 2 W, current < 200 mA
Analog output	LIU: 4 ... 20 mA, 0 ... 10 V
Switching output	2 × Push-Pull/NPN/PNP
Communication mode	RS485
External input	Used for zero setting and reset
linearity	30/50/85/120 mm: ±0.1 %F.S. 250mm: ±0.3 %F.S
repeatability	0.5 um @26 ... 34 mm; 1.5 um @40 ... 60 mm; 2.5 um @65 ... 105 mm; 8 um @60 ... 180 mm; 20 um @100 ... 400 mm
Spot diameter	Φ0.8 mm @30 mm; Φ1 mm @50 mm; Φ1.2 mm @85 mm; Φ1.2 mm @120 mm; Φ1.3 mm @250 mm
Protection circuit	Reverse polarity protection, short circuit protection, overload protection
Response time	200 us/500 us/1 ms/2 ms
Material	Shell: aluminum alloy, window: glass
Connection	2 m, 8-pin, PVC
Ambient temperature	-20 °C ... 60 °C
Operating temperature	-10 °C ... 50 °C
Voltage withstanding	1000 V/AC/50/60 Hz 60 s
Insulation impedance	≥ 50 MΩ (500 V DC)
Shock resistance	Complex amplitude 1.5 mm 10 ... 50 Hz (2 hr X, Y, Z respectively)
Impact resistance	500 m/s ² (50G) 3 times X, Y, Z respectively
Protection class	IP67
Dimension	61.1 x 21.8 x 58.5 mm

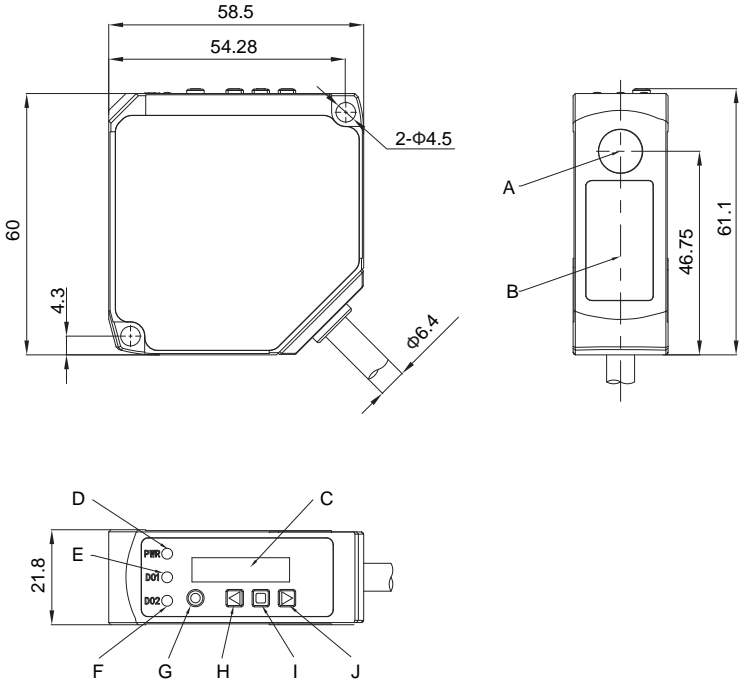
Interface output:

Fig. 1



No.	Colour	Feature
1	BN	24 V+
2	BU	0 V
3	WH	Switching quantity 1
4	RD	Switching quantity 2
5	YE	RS485+
6	GN	RS485-
7	GY	Analog V/mA
8	PK	External input

Dimensions:



- A. Emitter
- B. Receiver
- C. Display
- D. Power indicator/alarm indicator
- E. Switching quantity 1 output indicator
- F. Switching quantity 2 output indicator
- G. Backspace key
- H. Page up key
- I. Confirm key
- J. Scroll down key

ELCO Industrie Automation GmbH
Benzstrasse 7
71720 Oberstenfeld
Deutschland
E-Mail: info@elco-automation.de



www.elco-automation.de

C+R Automations- GmbH

Nürnberger Straße 45
90513 Zirndorf

Tel. +49 (0)911 656587-0
E-Mail: info@crautomation.de
www.crautomation.de