



Description:

The combination of white LED and customized receiving optical elements ensures stable performance. OLED display function and key settings. Supports three detection modes, with a maximum of 15 colors detected simultaneously. Suitable for industries such as automotive parts, 3C, packaging, lithium batteries, photovoltaics, semiconductors, etc.

Features:

- OLED digital display + teaching function
- IO-Link
- Adjustable white spot size

Type:

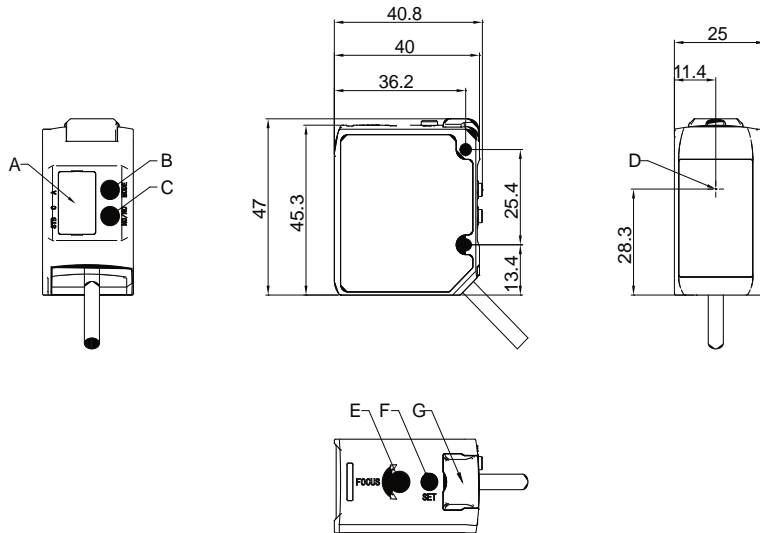
Type	Detecting distance	Light source	Output	Connection
OSM47-CK500C2B6	30 ... 500 mm	white LED	NPN/PNP	2 m cable
OSM47-CK500C2B6Q12.1	30 ... 500 mm	white LED	NPN/PNP	M12 connector
OSM47-CK500C2B6/IO	30 ... 500 mm	white LED	NPN/PNP + IO/Link	2 m cable
OSM47-CK500C2B6Q12.1/IO	30 ... 500 mm	white LED	NPN/PNP + IO/Link	M12 connector

Technical Data:

Detecting distance	30 ... 500 mm
Light source	White LED
Ripple voltage	<1.56 W
Frequency difference	Frequencies can be set, up to 2
Output type	2 x NPN/PNP
Communication mode	IO-Link
External input	1 way can be used for external triggering
Spot size	Ø3.5 mm@100 m; Ø9 mm@250 m; Ø18 mm@500 m
Load current	24 V DC 65 mA
Supply voltage	10 ... 30 V DC ± 10 %
Switch mode	N.O./N.C.
Ambient light resistance	Incandescent lamp: less than 10000 lux; sunlight: below 20000 lux
Protection circuit	Reverse polarity protection, short circuit protection, overload protection
Response time	200 us/1 ms/10 ms/500 ms
Housing material	Zinc die-casting
Connector	2 m, 5-pin, PVC; Q12 connector 5-pin
Ambient temperature	-40 °C ... +70 °C
Storage temperature	-20 °C ... +50 °C
Voltage withstanding	1000V/AC/50/60 Hz 60 s
Insulation impedance	≥ 50 MΩ (500 V DC)
Shock resistance	Complex amplitude 1.5 mm 10... 50 Hz (2 hr X, Y, Z respectively)
Impact resistance	500 m/s ² (50G) 3 times X, Y, Z respectively
Protection class	IP67
Housing dimension	40.8x47x25 mm

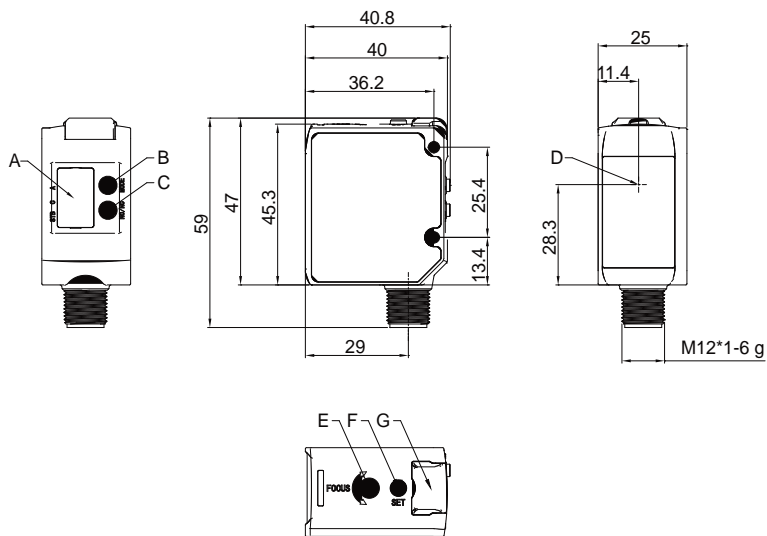
Dimensions:

2m cable



- A: OLED display
- B: function setting button
- C: function adjustment button
- D: emitting
- E: adjuste knob
- F: teaching button
- G: indicator LED

M12 connector



- A: OLED display
- B: function setting button
- C: function adjustment button
- D: emitting
- E: adjuste knob
- F: teaching button
- G: indicator LED

ELCO Industrie Automation GmbH
Benzstrasse 7
71720 Oberstenfeld
Deutschland
E-Mail: info@elco-automation.de



www.elco-automation.de

C+R Automations- GmbH

Nürnberger Straße 45
90513 Zirndorf

Tel. +49 (0)911 656587-0
E-Mail: info@crautomation.de
www.crautomation.de