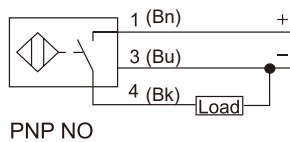


Technical Data:

Operating voltage	10...30VDC
Ripple voltage	≤10%
Output type	PNP
Output feature	Light on / NC
No-load current	≤20mA
load current	<100mA
Distance	10...120mm
Frequency	800Hz
Light source	Red / Spot size 4mm
Output indicator	Red LED
Steady state indicator	Green LED
Housing material	PC+PBT
Lens material	PMM4
Protection class	IP67
Ambient temperature	-10...+50°C
Storage temperature	-40...+70°C
Circuit protection	Reverse polarity protection, short circuit protection, overload protection, voltage shock protection
Voltage withstanding	650V/AC/ 50/60Hz 60s
Insulation impedance	≥50MΩ(500VDC)
Shock resistance	Complex amplitude 1.5mm 10... 50Hz (2hr X, Y,Z respectively)
Impact resistance	500m/S ² (50G) 3 times X,Y,Z respectively

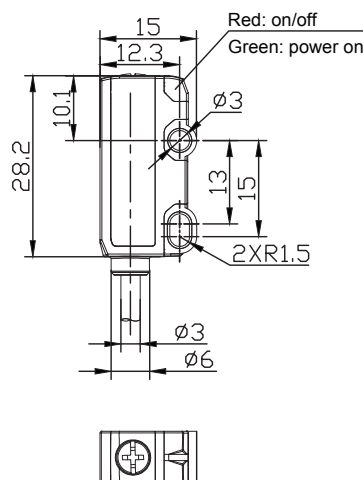


Wiring:



0,2m PUR cable with M8 male 3-pole

Dimensions:



1	Emitter optic axis
2	Receiver optic axis
3	Mounting hole $\phi 3$ mm
4	Green LED: power on
5	Red LED: on/off
6	Connection: cable