

M5 Series



M5 Series Circular Connectors

1.Connector for over-molding

0501-0502

2.Panel

0503-0510

3.Cable

0511-0514

4.Adapter

0515-0516

C+R Automations- GmbH

Nürnberger Straße 45
90513 Zirndorf

Tel. +49 (0)911 656587-0
Fax +49 (0)911 656587-99

E-Mail: info@crautomation.de
www.crautomation.de

Änderungen vorbehalten

M5 Circular connectors

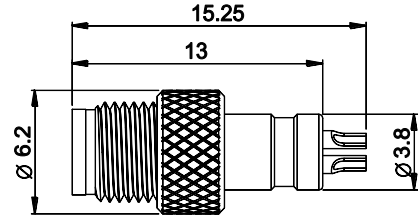
M5
M8
M9
M12
M16
M17
M23
7/8
RD
D-B
NMEA
D-Sub
USB
RF
P-P

Male connector for over-molding

Product figure



Scale diagram



Contact layout/针孔排布 (Front view/前视图)

3pins



4pins



Order data/订货信息

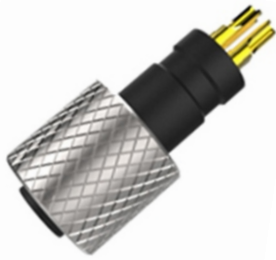
Contacts/芯数	Order No/订货号	P/N/料号
3pins	050003-20-001	M05M03001
4pins	050004-20-001	M05M04001

Specifications/技术参数

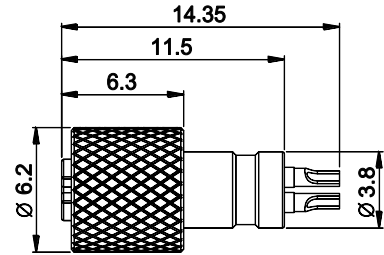
Number of contacts/芯数	3	4
Termination/接线方式	solder/焊接	
Wire gauge/线规	max 0.14 mm ² / max 26 AWG	
Operating temperature/工作温度	-25°C ~ +85°C	
Mechanical operation/插拔次数	> 100 mating cycles	
Rated voltage/额定电压	60V	
Rated current (40°C)/额定电流	1A	
Protection degree/防护等级	IP67/IP68	
Contact resistance/接触电阻	< 10mΩ	
Insulation resistance/绝缘电阻	≥100MΩ	
Pin contact/插针材料	CuZn	
Socket contact/插孔材料	CuSn	
Contact plating/针孔镀层材料	Au	

Female connector for over-molding

Product figure



Scale diagram



Contact layout/针孔排布 (Front view/前视图)

3pins



4pins

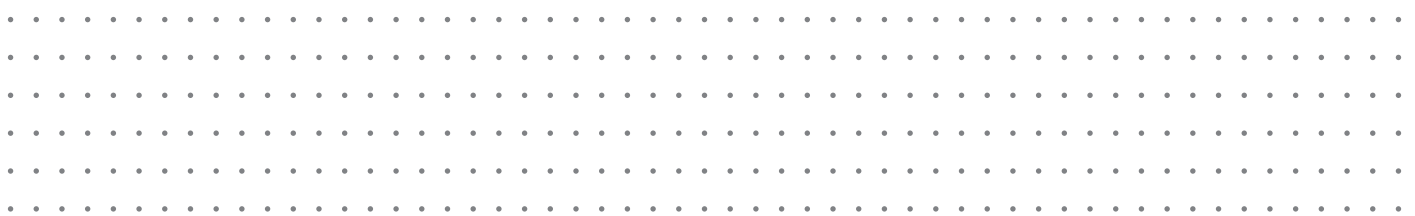


Order data/订货信息

Contacts/芯数	Order No/订货号	P/N/料号
3pins	050003-21-001	M05F03001
4pins	050004-21-001	M05F04001

Specifications/技术参数

Number of contacts/芯数	3	4
Termination/接线方式	solder/焊接	
Wire gauge/线规	max 0.14 mm ² / max 26 AWG	
Operating temperature/工作温度	-25°C ~ +85°C	
Mechanical operation/插拔次数	> 100 mating cycles	
Rated voltage/额定电压	60V	
Rated current (40°C)/额定电流	1A	
Protection degree/防护等级	IP67/IP68	
Contact resistance/接触电阻	< 10mΩ	
Insulation resistance/绝缘电阻	≥ 100MΩ	
Pin contact/插针材料	CuZn	
Socket contact/插孔材料	CuSn	
Contact plating/针孔镀层材料	Au	



M5 Circular connectors

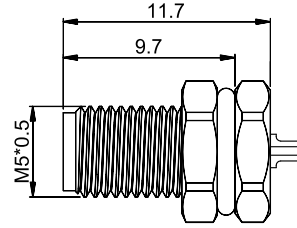
M5
M8
M9
M12
M16
M17
M23
7/8
RD
D-B
NMEA
D-Sub
USB
RF
P-P

Male panel connector

Product figure (front fastened)



Scale diagram



Contact layout/针孔排布 (Front view/前视图)

3pins



4pins



Order data/订货信息

Contacts/芯数	Order No/订货号	P/N/料号
3pins	050003-03-003	—
4pins	050004-03-005	—

Specifications/技术参数

Number of contacts/芯数	3	4
Termination/接线方式	solder/焊线式	
Wire gauge/线规	max 0.14 mm ² / max 26 AWG	
Operating temperature/工作温度	-25°C ~ +80°C	
Mechanical operation/插拔次数	> 100 mating cycles	
Rated voltage/额定电压	60V	
Rated current (40°C)/额定电流	1A	
Protection degree/防护等级	IP67/IP68	
Contact resistance/接触电阻	< 3mΩ	
Insulation resistance/绝缘电阻	≥100MΩ	
Pin contact/插针材料	CuZn	
Socket contact/插孔材料	CuSn	
Contact plating/针孔镀层材料	Au	

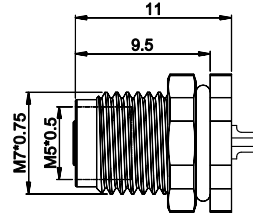
M5 Circular connectors

Female panel connectors

Product figure (front fastened)



Scale diagram



Contact layout/针孔排布 (Front view/前视图)

3pins



4pins

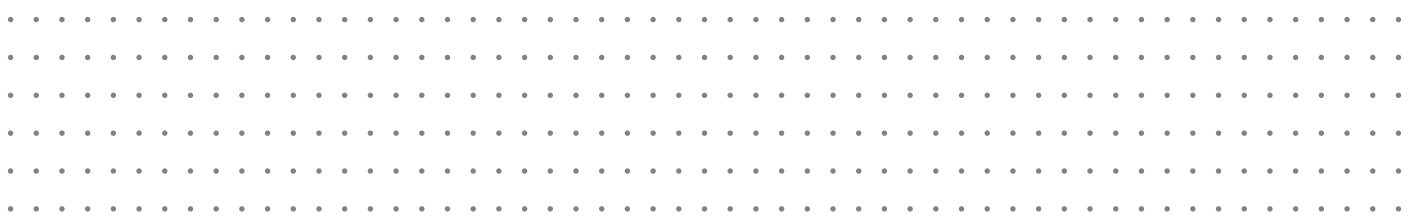


Order data/订货信息

Contacts/芯数	Order No/订货号	P/N/料号
3pins	050003-04-003	—
4pins	050004-04-002	—

Specifications/技术参数

Number of contacts/芯数	3	4
Termination/接线方式	solder/焊线式	
Wire gauge/线规	max 0.14 mm ² / max 26 AWG	
Operating temperature/工作温度	-25°C ~ +80°C	
Mechanical operation/插拔次数	> 100 mating cycles	
Rated voltage/额定电压	60V	
Rated current (40°C)/额定电流	1A	
Protection degree/防护等级	IP67/IP68	
Contact resistance/接触电阻	< 3mΩ	
Insulation resistance/绝缘电阻	≥100MΩ	
Pin contact/插针材料	CuZn	
Socket contact/插孔材料	CuSn	
Contact plating/针孔镀层材料	Au	



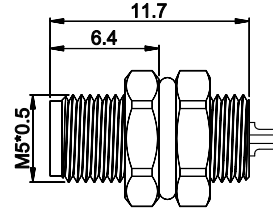
M5 Circular connectors

M5
M8
M9
M12
M16
M17
M23
7/8
RD
D-B
NMEA
D-Sub
USB
RF
P-P

Male panel connector

Product figure (rear fastened)

Scale diagram



Contact layout/针孔排布 (Front view/前视图)

3pins

4pins



Order data/订货信息

Contacts/芯数	Order No/订货号	P/N/料号
3pins	050003-03-006	PMM05BM03002
4pins	050004-03-012	PMM05BM04002

Specifications/技术参数

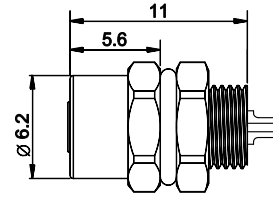
Number of contacts/芯数	3	4
Termination/接线方式	solder/焊线式	
Wire gauge/线规	max 0.14 mm ² / max 26 AWG	
Operating temperature/工作温度	-25°C ~ +80°C	
Mechanical operation/插拔次数	> 100 mating cycles	
Rated voltage/额定电压	60V	
Rated current (40°C)/额定电流	1A	
Protection degree/防护等级	IP67/IP68	
Contact resistance/接触电阻	< 3mΩ	
Insulation resistance/绝缘电阻	≥100MΩ	
Pin contact/插针材料	CuZn	
Socket contact/插孔材料	CuSn	
Contact plating/针孔镀层材料	Au	

Female panel connector

Product figure (rear fastened)



Scale diagram



Contact layout/针孔排布 (Front view/前视图)

3pins



4pins

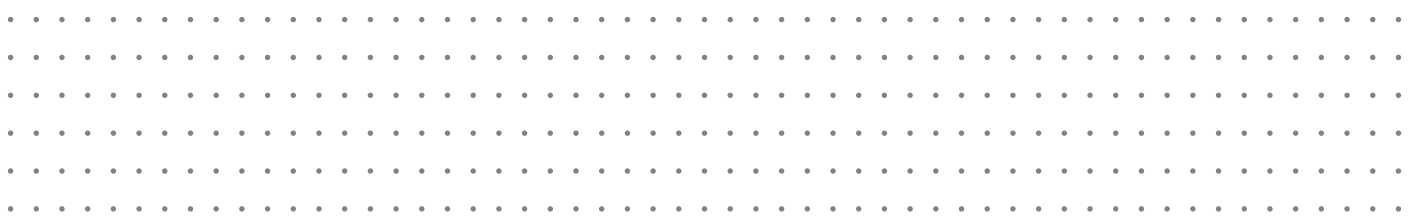


Order data/订货信息

Contacts/芯数	Order No/订货号	P/N/料号
3pins	050003-04-007	—
4pins	050004-04-004	—

Specifications/技术参数

Number of contacts/芯数	3	4
Termination/接线方式	solder/焊线式	
Wire gauge/线规	max 0.14 mm ² / max 26 AWG	
Operating temperature/工作温度	-25°C ~ +80°C	
Mechanical operation/插拔次数	> 100 mating cycles	
Rated voltage/额定电压	60V	
Rated current (40°C)/额定电流	1A	
Protection degree/防护等级	IP67/IP68	
Contact resistance/接触电阻	< 3mΩ	
Insulation resistance/绝缘电阻	≥100MΩ	
Pin contact/插针材料	CuZn	
Socket contact/插孔材料	CuSn	
Contact plating/针孔镀层材料	Au	



M5 Circular connectors

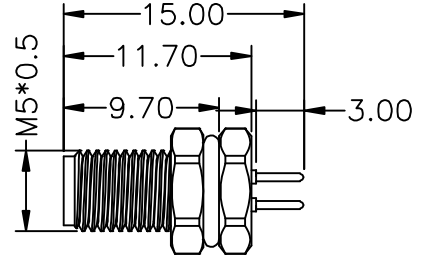
M5

Male panel connector

Product figure (front fastened DIP)



Scale diagram



M8

M9

M12

Contact layout/针孔排布 (Front view/前视图)

3pins



4pins



M16

M17

M23

Order data/订货信息

Contacts/芯数	Order No/订货号	P/N/料号
3pins	050003-03-004	PMM05FM03003
4pins	050004-03-008	PMM05FM04003

7/8

RD

Specifications/技术参数

Number of contacts/芯数	3	4
Termination/接线方式	PCB/插板式	
Wire gauge/线规	—	
Operating temperature/工作温度	-25°C~+85°C	
Mechanical operation/插拔次数	> 100 mating cycles	
Rated voltage/额定电压	60V	
Rated current (40°C)/额定电流	1A	
Protection degree/防护等级	IP67/IP68	
Contact resistance/接触电阻	< 3mΩ	
Insulation resistance/绝缘电阻	≥100MΩ	
Pin contact/插针材料	CuZn	
Socket contact/插孔材料	CuSn	
Contact plating/针孔镀层材料	Au	

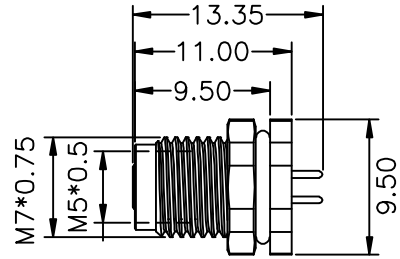
P-P

Female panel connectors

Product figure (front fastened DIP)



Scale diagram



Contact layout/针孔排布 (Front view/前视图)

3pins



4pins

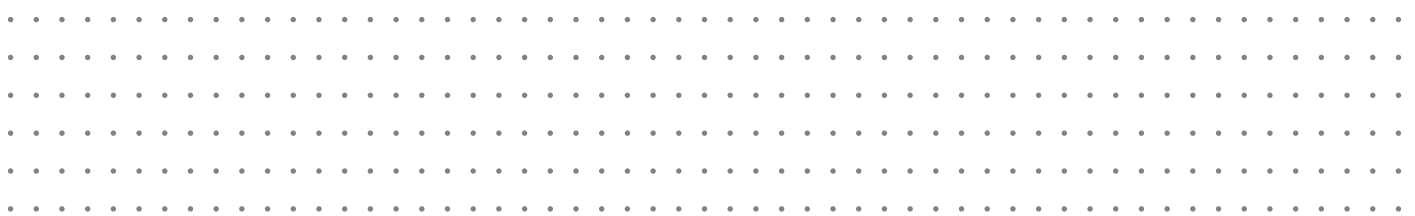


Order data/订货信息

Contacts/芯数	Order No/订货号	P/N/料号
3pins	050003-04-004	PMM05FF03003
4pins	050004-04-007	PMM05FF04003

Specifications/技术参数

Number of contacts/芯数	3	4
Termination/接线方式	PCB/插板式	
Wire gauge/线规	—	
Operating temperature/工作温度	-25°C~ +85°C	
Mechanical operation/插拔次数	> 100 mating cycles	
Rated voltage/额定电压	60V	
Rated current (40°C)/额定电流	1A	
Protection degree/防护等级	IP67/IP68	
Contact resistance/接触电阻	< 3mΩ	
Insulation resistance/绝缘电阻	≥100MΩ	
Pin contact/插针材料	CuZn	
Socket contact/插孔材料	CuSn	
Contact plating/针孔镀层材料	Au	



M5 Circular connectors

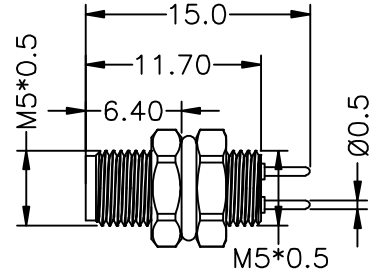
M5
M8
M9
M12
M16
M17
M23
7/8
RD
D-B
NMEA
D-Sub
USB
RF
P-P

Male panel connector

Product figure (rear fastened DIP)



Scale diagram



Contact layout/针孔排布 (Front view/前视图)

3pins



4pins



Order data/订货信息

Contacts/芯数	Order No/订货号	P/N/料号
3pins	050003-03-005	PMM05BM03004
4pins	050004-03-007	PMM05BM04004

Specifications/技术参数

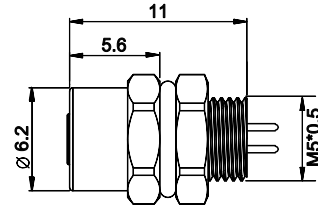
Number of contacts/芯数	3	4
Termination/接线方式	PCB/插板式	
Wire gauge/线规	—	
Operating temperature/工作温度	-25°C~+85°C	
Mechanical operation/插拔次数	> 100 mating cycles	
Rated voltage/额定电压	60V	
Rated current (40°C)/额定电流	1A	
Protection degree/防护等级	IP67/IP68	
Contact resistance/接触电阻	< 3mΩ	
Insulation resistance/绝缘电阻	≥100MΩ	
Pin contact/插针材料	CuZn	
Socket contact/插孔材料	CuSn	
Contact plating/针孔镀层材料	Au	

Female panel connector

Product figure (rear fastened)



Scale diagram



Contact layout/针孔排布 (Front view/前视图)

3pins



4pins

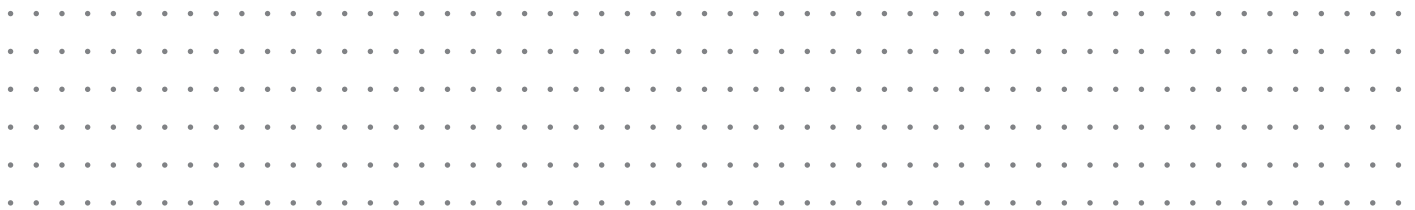


Order data/订货信息

Contacts/芯数	Order No/订货号	P/N/料号
3pins	050003-04-009	PMM05BF03004
4pins	050004-04-015	PMM05BF04004

Specifications/技术参数

Number of contacts/芯数	3	4
Termination/接线方式	PCB/插板式	
Wire gauge/线规	—	
Operating temperature/工作温度	-25°C~ +85°C	
Mechanical operation/插拔次数	> 100 mating cycles	
Rated voltage/额定电压	60V	
Rated current (40°C)/额定电流	1A	
Protection degree/防护等级	IP67/IP68	
Contact resistance/接触电阻	< 3mΩ	
Insulation resistance/绝缘电阻	≥100MΩ	
Pin contact/插针材料	CuZn	
Socket contact/插孔材料	CuSn	
Contact plating/针孔镀层材料	Au	



M5 Circular connectors

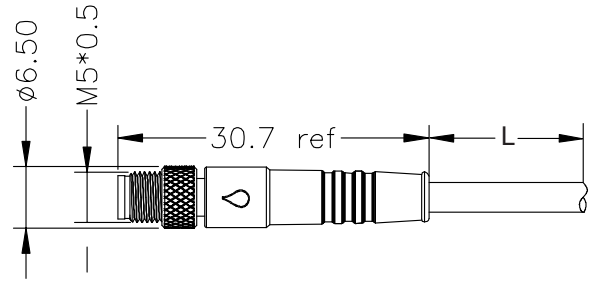
M5
M8
M9
M12
M16
M17
M23
7/8
RD
D-B
NMEA
D-Sub
USB
RF
P-P

Male cable

Product figure



Scale diagram



Contact layout/针孔排布 (Front view/前视图)

3pins



4pins



Order data/订货信息

Contacts/芯数	Order No/订货号	P/N/料号
3pins	050003-05-001	CAM05SM03001
4pins	050004-05-001	CAM05SM04001

Specifications/技术参数

Number of contacts/芯数	3	4
Termination/接线方式	moulded on cable/成型线	
Wire gauge/线规	max 0.14 mm ² / max 26 AWG	
Operating temperature/工作温度	-25°C ~ +80°C	
Mechanical operation/插拔次数	> 100 mating cycles	
Rated voltage/额定电压	60V	
Rated current (40°C)/额定电流	1A	
Protection degree/防护等级	IP67/IP68	
Contact resistance/接触电阻	< 3mΩ	
Insulation resistance/绝缘电阻	≥100MΩ	
Pin contact/插针材料	CuZn	
Socket contact/插孔材料	CuSn	
Contact plating/针孔镀层材料	Au	

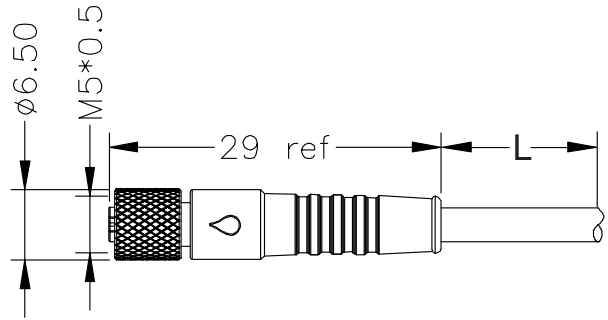
M5 Circular connectors

Female cable

Product figure



Scale diagram



Contact layout/针孔排布 (Front view/前视图)

3pins



4pins

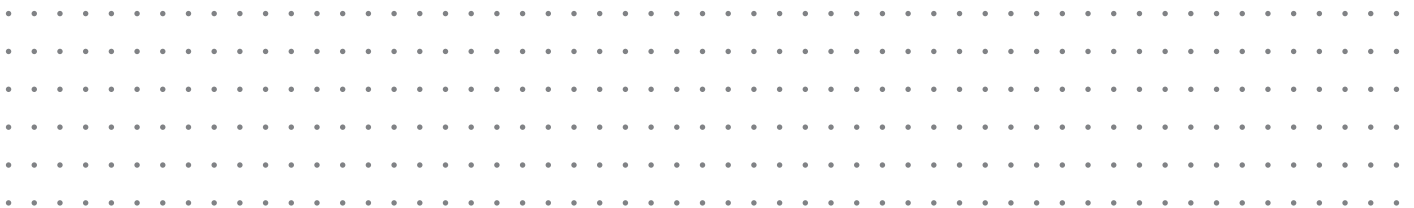


Order data/订货信息

Contacts/芯数	Order No/订货号	P/N/料号
3pins	050003-06-001	CAM05SF03001
4pins	050004-06-001	CAM05SF04001

Specifications/技术参数

Number of contacts/芯数	3	4
Termination/接线方式	moulded on cable/成型线	
Wire gauge/线规	max 0.14 mm ² / max 26 AWG	
Operating temperature/工作温度	-25°C ~ +80°C	
Mechanical operation/插拔次数	> 100 mating cycles	
Rated voltage/额定电压	60V	
Rated current (40°C)/额定电流	1A	
Protection degree/防护等级	IP67/IP68	
Contact resistance/接触电阻	< 3mΩ	
Insulation resistance/绝缘电阻	≥100MΩ	
Pin contact/插针材料	CuZn	
Socket contact/插孔材料	CuSn	
Contact plating/针孔镀层材料	Au	



M5 Circular connectors

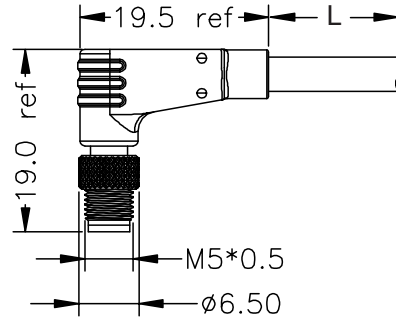
M5
M8
M9
M12
M16
M17
M23
7/8
RD
D-B
NMEA
D-Sub
USB
RF
P-P

Male cable(90°)

Product figure



Scale diagram



Contact layout/针孔排布 (Front view/前视图)

3pins



4pins



Order data/订货信息

Contacts/芯数	Order No/订货号	P/N/料号
3pins	050003-05-002	CAM05RM03002
4pins	050004-05-002	CAM05RM04002

Specifications/技术参数

Number of contacts/芯数	3	4
Termination/接线方式	moulded on cable/成型线	
Wire gauge/线规	max 0.14 mm ² / max 26 AWG	
Operating temperature/工作温度	-25°C ~ +80°C	
Mechanical operation/插拔次数	> 100 mating cycles	
Rated voltage/额定电压	60V	
Rated current (40°C)/额定电流	1A	
Protection degree/防护等级	IP67/IP68	
Contact resistance/接触电阻	< 3mΩ	
Insulation resistance/绝缘电阻	≥100MΩ	
Pin contact/插针材料	CuZn	
Socket contact/插孔材料	CuSn	
Contact plating/针孔镀层材料	Au	

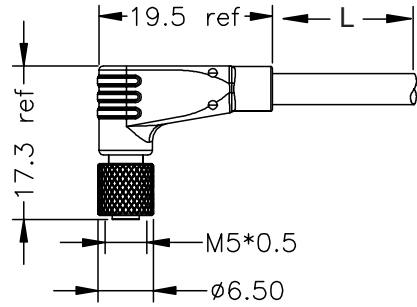
M5 Circular connectors

Female cable(90°)

Product figure



Scale diagram



Contact layout/针孔排布 (Front view/前视图)

3pins



4pins

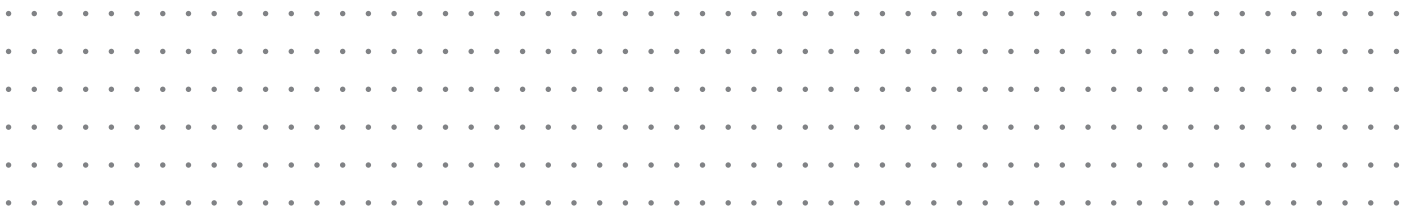


Order data/订货信息

Contacts/芯数	Order No/订货号	P/N/料号
3pins	050003-06-002	CAM05RF03002
4pins	050004-06-002	CAM05RF04002

Specifications/技术参数

Number of contacts/芯数	3	4
Termination/接线方式	moulded on cable/成型线	
Wire gauge/线规	max 0.14 mm ² / max 26 AWG	
Operating temperature/工作温度	-25°C ~ +80°C	
Mechanical operation/插拔次数	> 100 mating cycles	
Rated voltage/额定电压	60V	
Rated current (40°C)/额定电流	1A	
Protection degree/防护等级	IP67/IP68	
Contact resistance/接触电阻	< 3mΩ	
Insulation resistance/绝缘电阻	≥100MΩ	
Pin contact/插针材料	CuZn	
Socket contact/插孔材料	CuSn	
Contact plating/针孔镀层材料	Au	



M5 Circular connectors

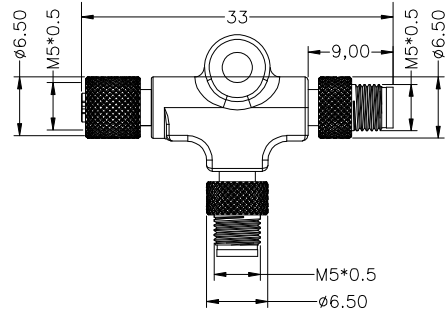
M5
M8
M9
M12
M16
M17
M23
7/8
RD
D-B
NMEA
D-Sub
USB
RF
P-P

"T" Splitter

Product figure(Male to Male & Female)



Scale diagram



Contact layout/针孔排布 (Front view/前视图)

4pins



4pins



Order data/订货信息

Contacts/芯数	Order No/订货号	P/N/料号
4pins	050004-10-001	—

Specifications/技术参数

Number of contacts/芯数	4
Termination/接线方式	—
Wire gauge/线规	—
Operating temperature/工作温度	-25°C ~ +80°C
Mechanical operation/插拔次数	> 100 mating cycles
Rated voltage/额定电压	60V
Rated current (40°C)/额定电流	1A
Protection degree/防护等级	IP67/IP68
Contact resistance/接触电阻	< 3mΩ
Insulation resistance/绝缘电阻	≥100MΩ
Pin contact/插针材料	CuZn
Socket contact/插孔材料	CuSn
Contact plating/针孔镀层材料	Au

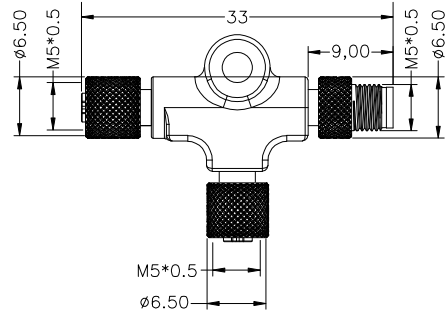
M5 Circular connectors

"T" Splitter

Product figure(Male to Dual Female)



Scale diagram



Contact layout/针孔排布 (Front view/前视图)

4pins



4pins



Order data/订货信息

Contacts/芯数	Order No/订货号	P/N/料号
4pins	050004-10-002	—

Specifications/技术参数

Number of contacts/芯数	4
Termination/接线方式	—
Wire gauge/线规	—
Operating temperature/工作温度	-25°C ~ +80°C
Mechanical operation/插拔次数	> 100 mating cycles
Rated voltage/额定电压	60V
Rated current (40°C)/额定电流	1A
Protection degree/防护等级	IP67/IP68
Contact resistance/接触电阻	< 3mΩ
Insulation resistance/绝缘电阻	≥100MΩ
Pin contact/插针材料	CuZn
Socket contact/插孔材料	CuSn
Contact plating/针孔镀层材料	Au

