

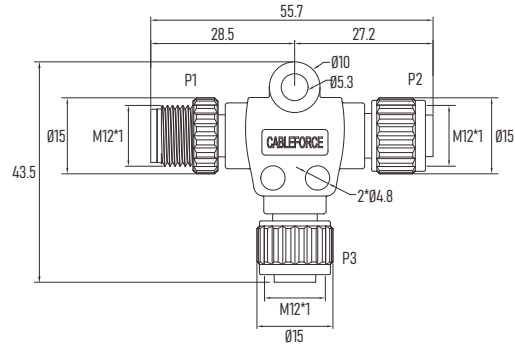


M12

T-Adapter & Y-Splitters

- 3P, 4P, 5P, 8P, 12Pin are available
- Operating voltage: 250V, 60V,
- Rated current: 4A, 2A
- Temperature range: -40°C ~ + 80°C
- Protection degree IP67

M12 T-Connector, Male to Female x 2 M12 T-型头 公头 转 2个母头



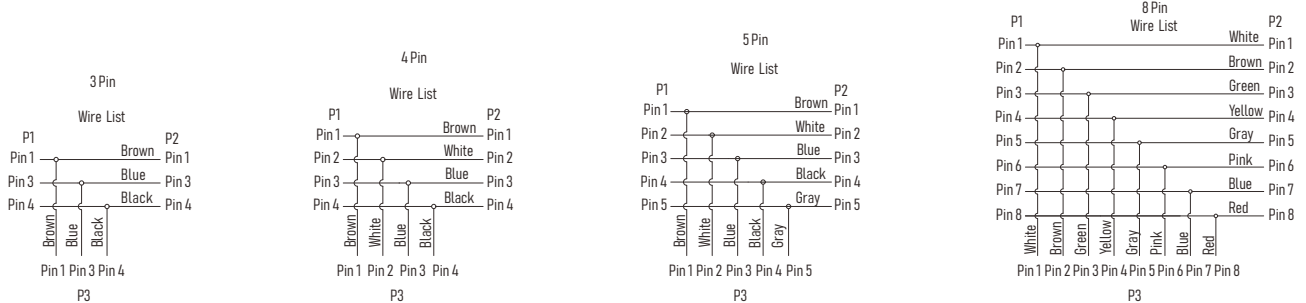
Connector Technical data 技术参数

Contacts No. Pin位/芯数	3Pin A-Code	4Pin A-Code	4Pin D-Code	5Pin A-Code	5Pin B-Code	8Pin A-Code
P1 Front View 正视图						
P2 Front View 正视图						
P3 Front View 正视图						
Reference Standard 参照标准	IEC 61076-2-101					
Rated current 额定电流	4A					2A
Rated voltage 额定电压	250V			60V		30V
Impulse voltage 脉冲高压	2500V			1500V		800V
Locking system 锁紧方式	M12 x 1.0 screw / M12 螺丝锁紧					
Tightening Torque 螺丝扭矩	Recommend/ 建议: 0.4Nm, Max/ 最大: 0.8Nm					
Rated temperature 温度范围	Flexible/ 动态 -25 °C ... +80 °C, Static/ 静态 -40 °C ... +80 °C					
Insulation resistance 绝缘电阻	≥100MΩ					
Contact resistance 接触电阻	≤5mΩ					
Connector body 外壳材料	TPU					
Contact carrier 胶芯材料	TPU + GF					
Screw nut 螺丝材料	Brass, CNC, nickel-plated 黄铜 镀镍 机加工					
Contact Pin针端子	Brass 黄铜; Phosphor bronze 磷青铜					
Contacts plating 端子镀层	Au (Gold) 镀金					
O-ring 密封圈	FKM/ Silicon O-Ring 氟橡胶/ 硅胶					
Protection degree 防护等级	IP67, IP68					
Pollution degree 污染等级	3					

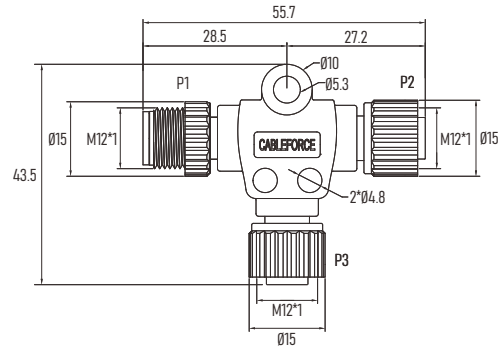
Ordering No. 订购料号

Coding 防呆键	Un-Shielded 非屏蔽				Shielded 屏蔽型			
	3 Pin	4 Pin	5 Pin	8 Pin	3 Pin	4 Pin	5 Pin	8 Pin
A-Code	MC03T-MFFAB	MC04T-MFFAB	MC05T-MFFAB	MC08T-MFFAB	MC03T-MFFASB	MC04T-MFFASB	MC05T-MFFASB	MC08T-MFFASB
B-Code			MC05T-MFFBB				MC05T-MFFBSB	
D-Code		MC04T-MFFDB				MC04T-MFFDSB		

Wiring Diagram 接线表



M12 T-Connector, Male to Female x 2, Plastic
M12 T-型头 公头 转 2个母头 塑胶螺丝



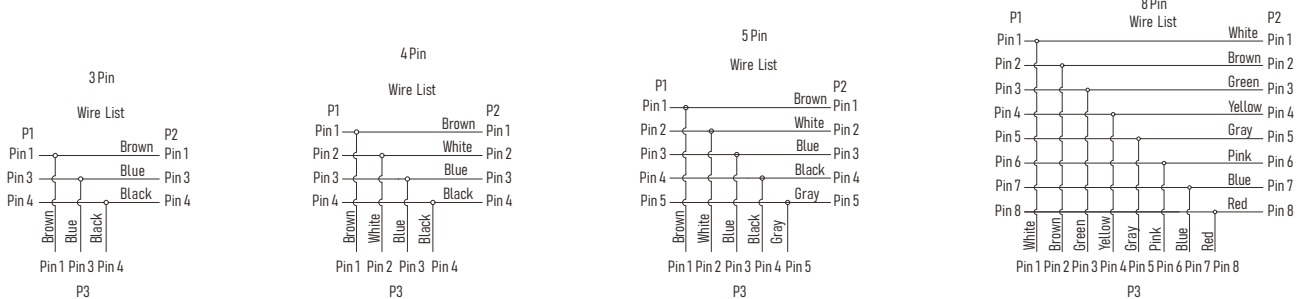
Connector Technical data 技术参数

Contacts No.	Pin位/芯数	3Pin A-Code	4Pin A-Code	4Pin D-Code	5Pin A-Code	5Pin B-Code	8Pin A-Code
P1 Front View	正视图						
P2 Front View	正视图						
P3 Front View	正视图						
Reference Standard	参照标准	IEC 61076-2-101					
Rated current	额定电流	4A					
Rated voltage	额定电压	250V			60V		2A
Impulse voltage	脉冲高压	2500V			1500V		30V
Locking system	锁紧方式	M12 x 1.0 screw / M12 螺丝锁紧					
Tightening Torque	螺丝扭矩	Recommend/ 建议: 0.4Nm, Max/ 最大: 0.8Nm					
Rated temperature	温度范围	Flexible/ 动态 -25 °C ... +80 °C, Static/ 静态 -40 °C ... +80 °C					
Insulation resistance	绝缘电阻	≥100MΩ					
Contact resistance	接触电阻	≤5mΩ					
Connector body	外壳材料	TPU					
Contact carrier	胶芯材料	TPU + GF					
Screw nut	螺丝材料	PA66 + GF 尼龙加玻纤					
Contact	Pin针端子	Brass 黄铜; Phosphor bronze 磷青铜					
Contacts plating	端子镀层	Au (Gold) 镀金					
O-ring	密封圈	FKM/ Silicon O-Ring 氟橡胶/ 硅胶					
Protection degree	防护等级	IP67, IP68					
Pollution degree	污染等级	3					

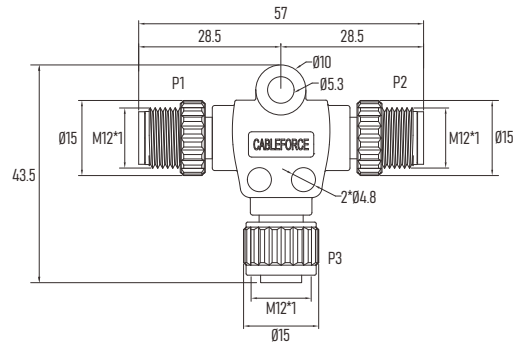
Ordering No. 订购料号

Coding 防呆键	Un-Shielded 非屏蔽			
	3 Pin	4 Pin	5 Pin	8 Pin
A-Code	MC03T-MFFAP	MC04T-MFFAP	MC05T-MFFAP	MC08T-MFFAP
B-Code			MC05T-MFFBP	
D-Code		MC04T-MFFDP		

Wiring Diagram 接线表



M12 T-Connector, Male to Male/ Female M12 T-型头 公头 转 公头/ 母头



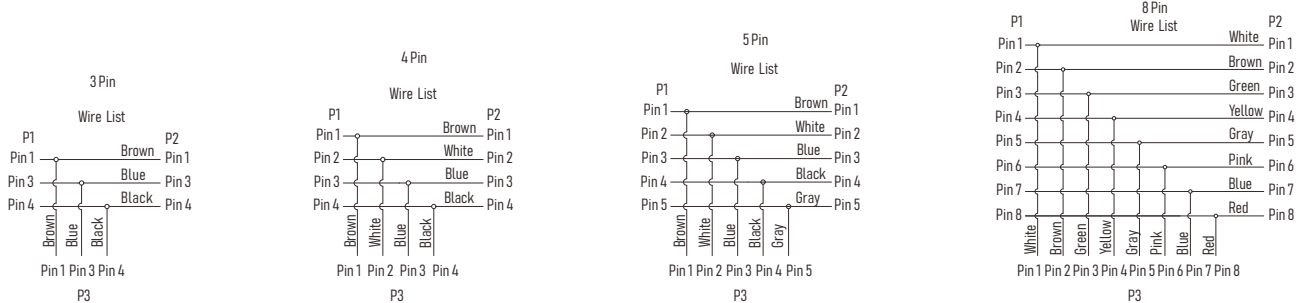
Connector Technical data 技术参数

Contacts No. Pin位/芯数	3Pin A-Code	4Pin A-Code	4Pin D-Code	5Pin A-Code	5Pin B-Code	8Pin A-Code
P1 Front View 正视图						
P2 Front View 正视图						
P3 Front View 正视图						
Reference Standard 参照标准	IEC 61076-2-101					
Rated current 额定电流	4A					
Rated voltage 额定电压	250V			60V		
Impulse voltage 脉冲高压	2500V			1500V		
Locking system 锁紧方式	M12 x 1.0 screw / M12 螺丝锁紧					
Tightening Torque 螺丝扭矩	Recommend/ 建议: 0.4Nm, Max/ 最大: 0.8Nm					
Rated temperature 温度范围	Flexible/ 动态 -25 °C ... +80 °C, Static/ 静态 -40 °C ... +80 °C					
Insulation resistance 绝缘电阻	≥100MΩ					
Contact resistance 接触电阻	≤5mΩ					
Connector body 外壳材料	TPU					
Contact carrier 胶芯材料	TPU + GF					
Screw nut 螺丝材料	Brass, CNC, nickel-plated 黄铜 镀镍 机加工					
Contact Pin针端子	Brass 黄铜; Phosphor bronze 磷青铜					
Contacts plating 端子镀层	Au (Gold) 镀金					
O-ring 密封圈	FKM/ Silicon O-Ring 氟橡胶/ 硅胶					
Protection degree 防护等级	IP67, IP68					
Pollution degree 污染等级	3					

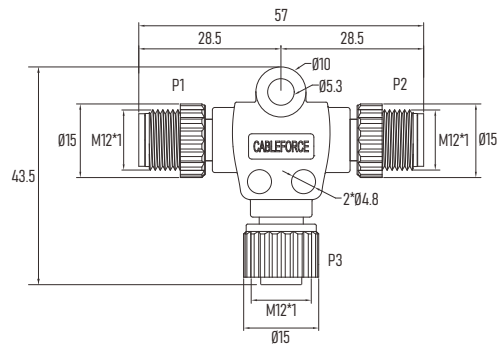
Ordering No. 订购料号

Coding 防呆键	Un-Shielded 非屏蔽				Shielded 屏蔽型			
	3 Pin	4 Pin	5 Pin	8 Pin	3 Pin	4 Pin	5 Pin	8 Pin
A-Code	MC03T-MMFAB	MC04T-MMFAB	MC05T-MMFAB	MC08T-MMFAB	MC03T-MMFASB	MC04T-MMFASB	MC05T-MMFASB	MC08T-MMFASB
B-Code			MC05T-MMFBB				MC05T-MMFBBS	
D-Code		MC04T-MMFDB				MC04T-MMFDSB		

Wiring Diagram 接线表



M12 T-Connector, Male to Male/ Female, Plastic
M12 T-型头 公头 转 公头/ 母头 塑胶螺丝



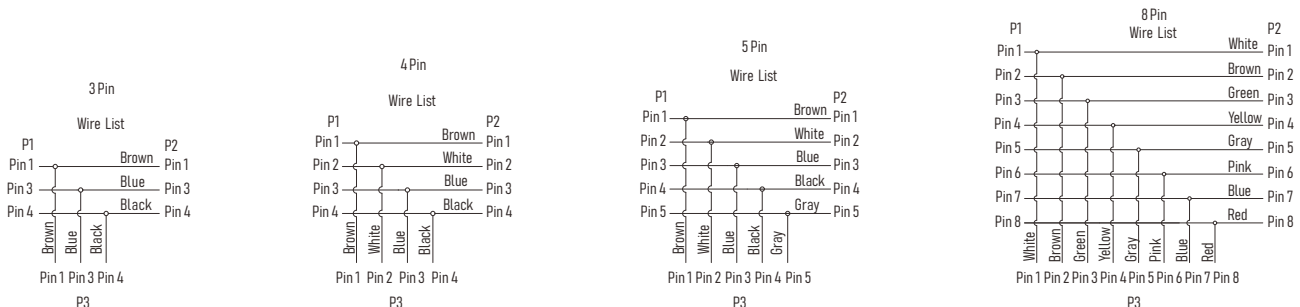
Connector Technical data 技术参数

Contacts No.	Pin位/芯数	3Pin A-Code	4Pin A-Code	4Pin D-Code	5Pin A-Code	5Pin B-Code	8Pin A-Code
P1 Front View	正视图						
P2 Front View	正视图						
P3 Front View	正视图						
Reference Standard	参照标准	IEC 61076-2-101					
Rated current	额定电流	4A					
Rated voltage	额定电压	250V			60V		2A
Impulse voltage	脉冲高压	2500V			1500V		30V
Locking system	锁紧方式	M12 x 1.0 screw / M12 螺丝锁紧					
Tightening Torque	螺丝扭矩	Recommend/ 建议: 0.4Nm, Max/ 最大: 0.8Nm					
Rated temperature	温度范围	Flexible/ 动态: -25 °C ... +80 °C, Static/ 静态: -40 °C ... +80 °C					
Insulation resistance	绝缘电阻	≥100MΩ					
Contact resistance	接触电阻	≤5mΩ					
Connector body	外壳材料	TPU					
Contact carrier	胶芯材料	TPU + GF					
Screw nut	螺丝材料	PA66 + GF 尼龙加玻纤					
Contact	Pin针端子	Brass 黄铜; Phosphor bronze 磷青铜					
Contacts plating	端子镀层	Au (Gold) 镀金					
O-ring	密封圈	FKM/ Silicon O-Ring 氟橡胶/ 硅胶					
Protection degree	防护等级	IP67, IP68					
Pollution degree	污染等级	3					

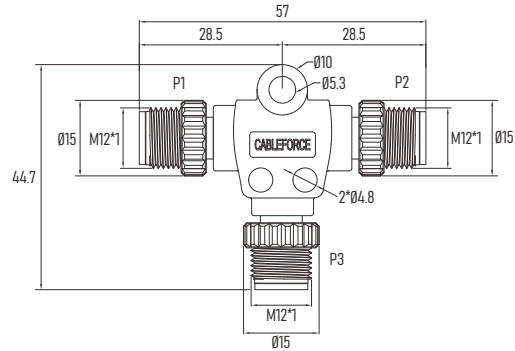
Ordering No. 订购料号

Coding 防呆键	Un-Shielded 非屏蔽			
	3 Pin	4 Pin	5 Pin	8 Pin
A-Code	MC03T-MMFAP	MC04T-MMFAP	MC05T-MMFAP	MC08T-MMFAP
B-Code			MC05T-MMFBP	
D-Code		MC04T-MMFDP		

Wiring Diagram 接线表



M12 T-Connector, Male to Male x2 M12 T-型头 公头 转 2个公头



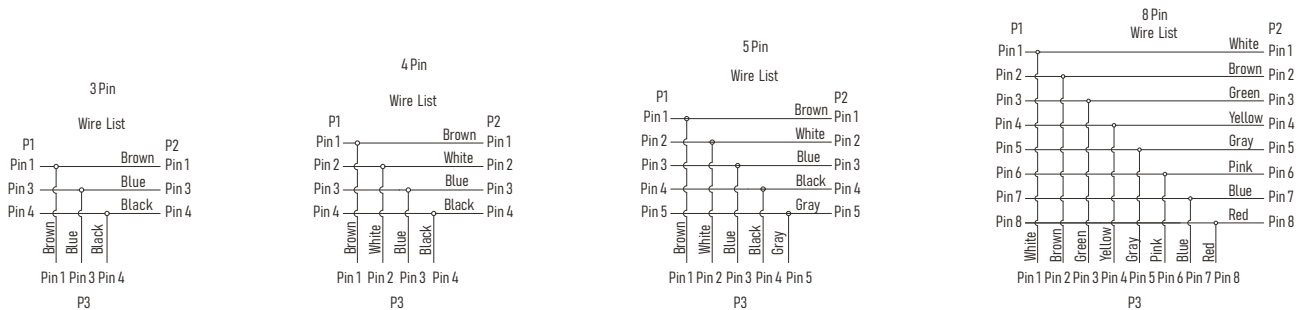
Connector Technical data 技术参数

Contacts No. Pin位/芯数	3Pin A-Code	4Pin A-Code	4Pin D-Code	5Pin A-Code	5Pin B-Code	8Pin A-Code
P1 Front View 正视图						
P2 Front View 正视图						
P3 Front View 正视图						
Reference Standard 参照标准	IEC 61076-2-101					
Rated current 额定电流	4A					
Rated voltage 额定电压	250V			60V		
Impulse voltage 脉冲高压	2500V			1500V		
Locking system 锁紧方式	M12 x 1.0 screw / M12 螺丝锁紧					
Tightening Torque 螺丝扭矩	Recommend/ 建议: 0.4Nm, Max/ 最大: 0.8Nm					
Rated temperature 温度范围	Flexible/ 动态 -25 °C ... +80 °C, Static/ 静态 -40 °C ... +80 °C					
Insulation resistance 绝缘电阻	≥100MΩ					
Contact resistance 接触电阻	≤5mΩ					
Connector body 外壳材料	TPU					
Contact carrier 胶芯材料	TPU + GF					
Screw nut 螺丝材料	Brass, CNC, nickel-plated 黄铜 镀镍 机加工					
Contact Pin针端子	Brass 黄铜					
Contacts plating 端子镀层	Au (Gold) 镀金					
O-ring 密封圈	FKM/ Silicon O-Ring 氟橡胶/ 硅胶					
Protection degree 防护等级	IP67, IP68					
Pollution degree 污染等级	3					

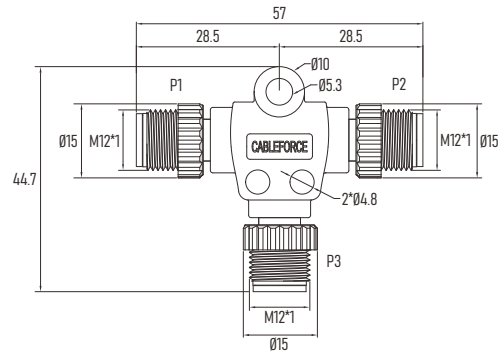
Ordering No. 订购料号

Coding 防呆键	Un-Shielded 非屏蔽				Shielded 屏蔽型			
	3 Pin	4 Pin	5 Pin	8 Pin	3 Pin	4 Pin	5 Pin	8 Pin
A-Code	MC03T-MMMAB	MC04T-MMMAB	MC05T-MMMAB	MC08T-MMMAB	MC03T-MMMASB	MC04T-MMMASB	MC05T-MMMASB	MC08T-MMMASB
B-Code			MC05T-MMMBB				MC05T-MMMBSB	
D-Code		MC04T-MMMDB				MC04T-MMMDBSB		

Wiring Diagram 接线表



M12 T-Connector, Male to Male x2, Plastic
M12 T-型头 公头 转 2个公头 塑胶螺丝



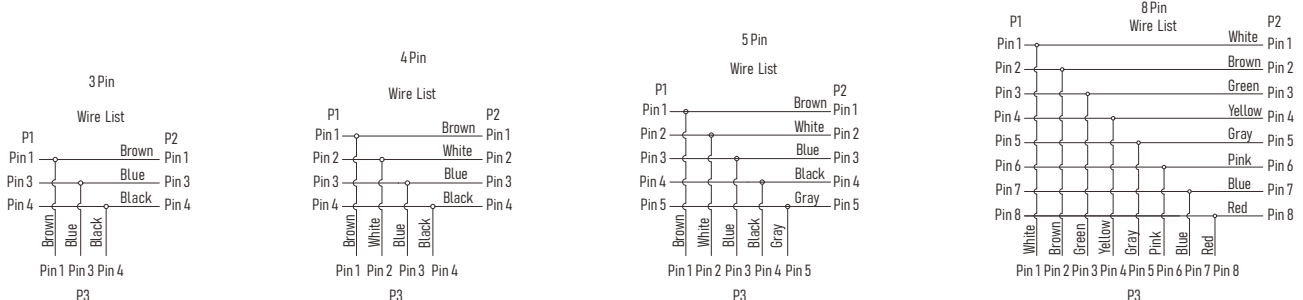
Connector Technical data 技术参数

Contacts No.	Pin位/芯数	3Pin A-Code	4Pin A-Code	4Pin D-Code	5Pin A-Code	5Pin B-Code	8Pin A-Code
P1 Front View	正视图						
P2 Front View	正视图						
P3 Front View	正视图						
Reference Standard	参照标准	IEC 61076-2-101					
Rated current	额定电流	4A					
Rated voltage	额定电压	250V			60V		2A
Impulse voltage	脉冲高压	2500V			1500V		30V
Locking system	锁紧方式	M12 x 1.0 screw / M12 螺丝锁紧					
Tightening Torque	螺丝扭矩	Recommend/ 建议: 0.4Nm, Max/ 最大: 0.8Nm					
Rated temperature	温度范围	Flexible/ 动态 -25 °C ... +80 °C, Static/ 静态 -40 °C ... +80 °C					
Insulation resistance	绝缘电阻	≥100MΩ					
Contact resistance	接触电阻	≤5mΩ					
Connector body	外壳材料	TPU					
Contact carrier	胶芯材料	TPU + GF					
Screw nut	螺丝材料	PA66 + GF 尼龙加玻纤					
Contact	Pin针端子	Brass 黄铜					
Contacts plating	端子镀层	Au (Gold) 镀金					
O-ring	密封圈	FKM/ Silicon O-Ring 氟橡胶/ 硅胶					
Protection degree	防护等级	IP67, IP68					
Pollution degree	污染等级	3					

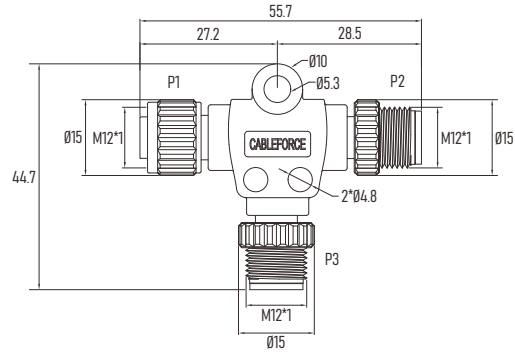
Ordering No. 订购料号

Coding 防呆键	Un-Shielded 非屏蔽			
	3 Pin	4 Pin	5 Pin	8 Pin
A-Code	MC03T-MMMAP	MC04T-MMMAP	MC05T-MMMAP	MC08T-MMMAP
B-Code			MC05T-MMMBP	
D-Code		MC04T-MMMDP		

Wiring Diagram 接线表



M12 T-Connector, Female to Male x 2 M12 T-型头 母头 转 2个公头



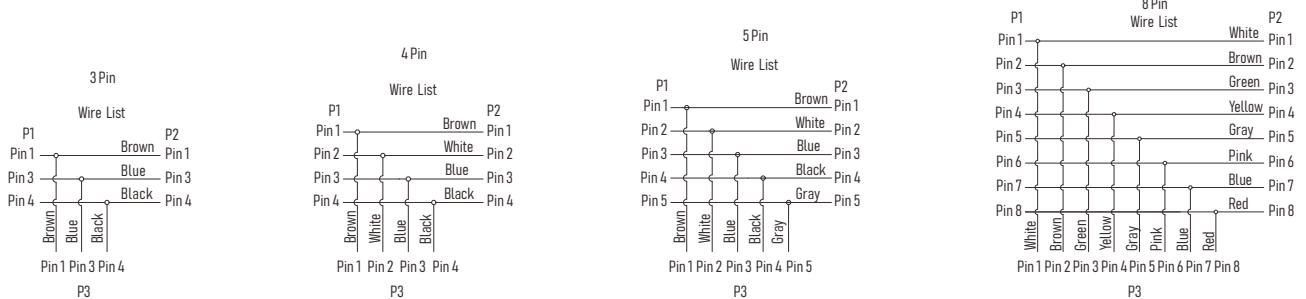
Connector Technical data 技术参数

Contacts No. Pin位/芯数	3Pin A-Code	4Pin A-Code	4Pin D-Code	5Pin A-Code	5Pin B-Code	8Pin A-Code
P1 Front View 正视图						
P2 Front View 正视图						
P3 Front View 正视图						
Reference Standard 参照标准	IEC 61076-2-101					
Rated current 额定电流	4A					
Rated voltage 额定电压	250V			60V		30V
Impulse voltage 脉冲高压	2500V			1500V		800V
Locking system 锁紧方式	M12 x 1.0 screw / M12 螺丝锁紧					
Tightening Torque 螺丝扭矩	Recommend/ 建议: 0.4Nm, Max/ 最大: 0.8Nm					
Rated temperature 温度范围	Flexible/ 动态 -25 °C ... +80 °C, Static/ 静态 -40 °C ... +80 °C					
Insulation resistance 绝缘电阻	≥100MΩ					
Contact resistance 接触电阻	≤5mΩ					
Connector body 外壳材料	TPU					
Contact carrier 胶芯材料	TPU + GF					
Screw nut 螺丝材料	Brass, CNC, nickel-plated 黄铜 镀镍 机加工					
Contact Pin针端子	Brass 黄铜; Phosphor bronze 磷青铜					
Contacts plating 端子镀层	Au (Gold) 镀金					
O-ring 密封圈	FKM/ Silicon O-Ring 氟橡胶/ 硅胶					
Protection degree 防护等级	IP67, IP68					
Pollution degree 污染等级	3					

Ordering No. 订购料号

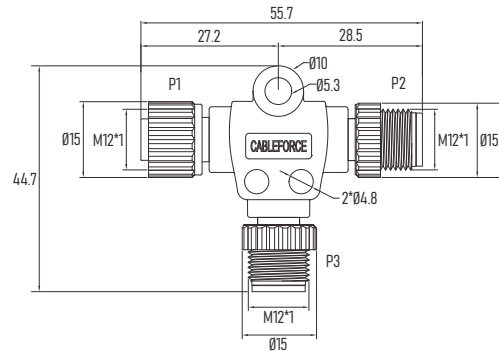
Coding 防呆键	Un-Shielded 非屏蔽				Shielded 屏蔽型			
	3 Pin	4 Pin	5 Pin	8 Pin	3 Pin	4 Pin	5 Pin	8 Pin
A-Code	MC03T-FMMAB	MC04T-FMMAB	MC05T-FMMAB	MC08T-FMMAB	MC03T-FMMASB	MC04T-FMMASB	MC05T-FMMASB	MC08T-FMMASB
B-Code			MC05T-FMMBB				MC05T-FMMBSB	
D-Code		MC04T-FMMD B				MC04T-FMMD SB		

Wiring Diagram 接线表



M12 T-Connector, Female to Male x 2, Plastic

M12 T-型头 母头 转 2个公头 塑胶螺丝



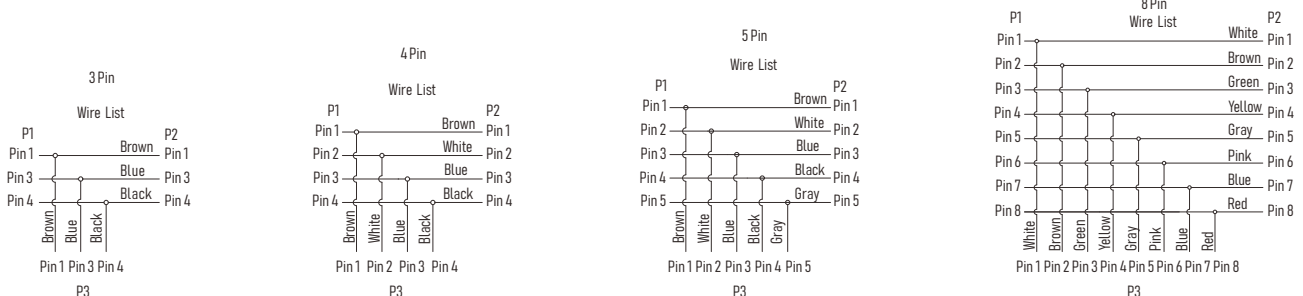
Connector Technical data 技术参数

Contacts No.	Pin位/芯数	3Pin A-Code	4Pin A-Code	4Pin D-Code	5Pin A-Code	5Pin B-Code	8Pin A-Code
P1 Front View	正视图						
P2 Front View	正视图						
P3 Front View	正视图						
Reference Standard	参照标准	IEC 61076-2-101					
Rated current	额定电流	4A					
Rated voltage	额定电压	250V			60V		2A
Impulse voltage	脉冲高压	2500V			1500V		30V
Locking system	锁紧方式	M12 x 1.0 screw / M12 螺丝锁紧					
Tightening Torque	螺丝扭矩	Recommend/ 建议: 0.4Nm, Max/ 最大: 0.8Nm					
Rated temperature	温度范围	Flexible/ 动态 -25 °C ... +80 °C, Static/ 静态 -40 °C ... +80 °C					
Insulation resistance	绝缘电阻	≥100MΩ					
Contact resistance	接触电阻	≤5mΩ					
Connector body	外壳材料	TPU					
Contact carrier	胶芯材料	TPU + GF					
Screw nut	螺丝材料	PA66 + GF 尼龙加玻纤					
Contact	Pin针端子	Brass 黄铜; Phosphor bronze 磷青铜					
Contacts plating	端子镀层	Au (Gold) 镀金					
O-ring	密封圈	FKM/ Silicon O-Ring 氟橡胶/ 硅胶					
Protection degree	防护等级	IP67, IP68					
Pollution degree	污染等级	3					

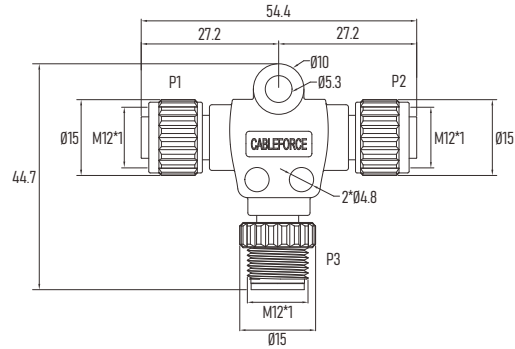
Ordering No. 订购料号

Coding 防呆键	Un-Shielded 非屏蔽			
	3 Pin	4 Pin	5 Pin	8 Pin
A-Code	MC03T-FMMAF	MC04T-FMMAF	MC05T-FMMAF	MC08T-FMMAF
B-Code			MC05T-FMMBP	
D-Code		MC04T-FMMDP		

Wiring Diagram 接线表



M12 T-Connector, Female to Female/ Male M12 T-型头 母头 转 母头/ 公头



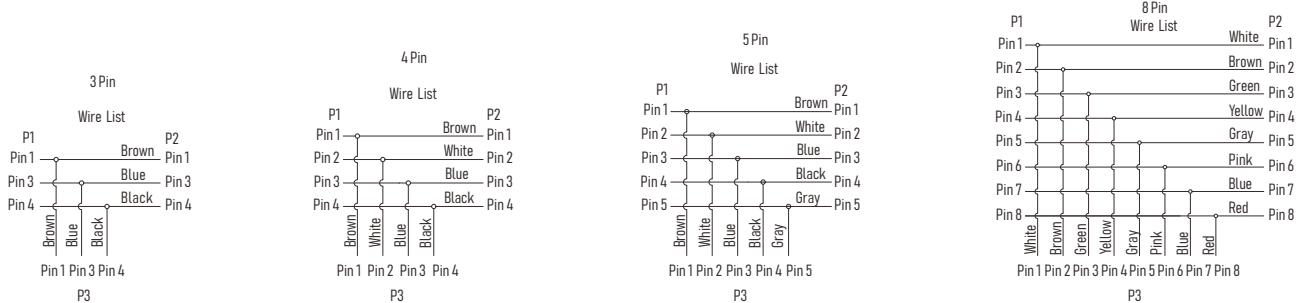
Connector Technical data 技术参数

Contacts No. Pin位/芯数	3Pin A-Code	4Pin A-Code	4Pin D-Code	5Pin A-Code	5Pin B-Code	8Pin A-Code
P1 Front View 正视图						
P2 Front View 正视图						
P3 Front View 正视图						
Reference Standard 参照标准	IEC 61076-2-101					
Rated current 额定电流	4A					
Rated voltage 额定电压	250V			60V		
Impulse voltage 脉冲高压	2500V			1500V		
Locking system 锁紧方式	M12 x 1.0 screw / M12 螺丝锁紧					
Tightening Torque 螺丝扭矩	Recommend/ 建议: 0.4Nm, Max/ 最大: 0.8Nm					
Rated temperature 温度范围	Flexible/ 动态 -25 °C ... +80 °C, Static/ 静态 -40 °C ... +80 °C					
Insulation resistance 绝缘电阻	≥100MΩ					
Contact resistance 接触电阻	≤5mΩ					
Connector body 外壳材料	TPU					
Contact carrier 胶芯材料	TPU + GF					
Screw nut 螺丝材料	Brass, CNC, nickel-plated 黄铜 镀镍 机加工					
Contact Pin针端子	Brass 黄铜; Phosphor bronze 磷青铜					
Contacts plating 端子镀层	Au (Gold) 镀金					
O-ring 密封圈	FKM/ Silicon O-Ring 氟橡胶/ 硅胶					
Protection degree 防护等级	IP67, IP68					
Pollution degree 污染等级	3					

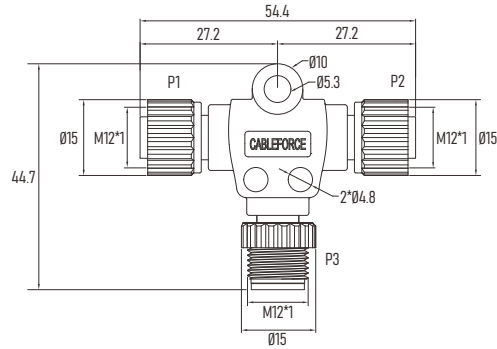
Ordering No. 订购料号

Coding 防呆键	Un-Shielded 非屏蔽				Shielded 屏蔽型			
	3 Pin	4 Pin	5 Pin	8 Pin	3 Pin	4 Pin	5 Pin	8 Pin
A-Code	MC03T-FFMAB	MC04T-FFMAB	MC05T-FFMAB	MC08T-FFMAB	MC03T-FFMASB	MC04T-FFMASB	MC05T-FFMASB	MC08T-FFMASB
B-Code			MC05T-FFMBB				MC05T-FFMBSB	
D-Code		MC04T-FFMDB				MC04T-FFMDSB		

Wiring Diagram 接线表



M12 T-Connector, Female to Female/ Male, Plastic
M12 T-型头 母头 转 母头/ 公头 塑胶螺丝



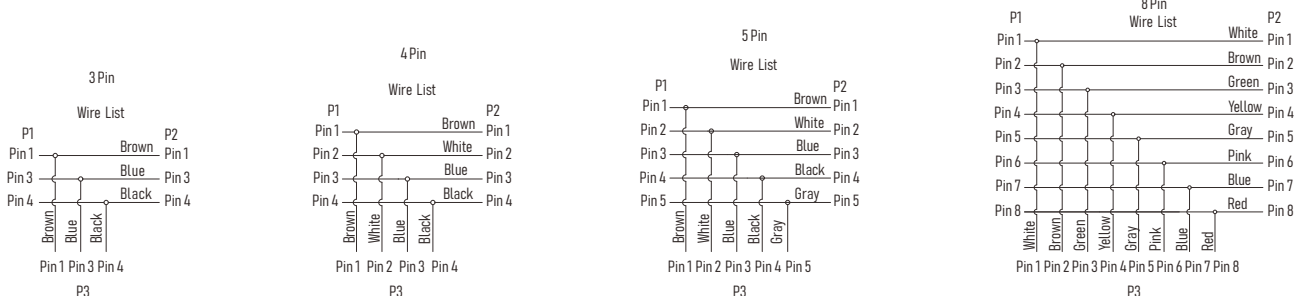
Connector Technical data 技术参数

Contacts No.	Pin位/芯数	3Pin A-Code	4Pin A-Code	4Pin D-Code	5Pin A-Code	5Pin B-Code	8Pin A-Code	
P1 Front View	正视图							
P2 Front View	正视图							
P3 Front View	正视图							
Reference Standard	参照标准	IEC 61076-2-101						
Rated current	额定电流	4A						
Rated voltage	额定电压	250V				60V		2A
Impulse voltage	脉冲高压	2500V				1500V		30V
Locking system	锁紧方式	M12 x 1.0 screw / M12 螺丝锁紧						
Tightening Torque	螺丝扭矩	Recommend/ 建议: 0.4Nm, Max/ 最大: 0.8Nm						
Rated temperature	温度范围	Flexible/ 动态 -25 °C ... +80 °C, Static/ 静态 -40 °C ... +80 °C						
Insulation resistance	绝缘电阻	≥100MΩ						
Contact resistance	接触电阻	≤5mΩ						
Connector body	外壳材料	TPU						
Contact carrier	胶芯材料	TPU + GF						
Screw nut	螺丝材料	PA66 + GF 尼龙加玻纤						
Contact	Pin针端子	Brass 黄铜; Phosphor bronze 磷青铜						
Contacts plating	端子镀层	Au (Gold) 镀金						
O-ring	密封圈	FKM/ Silicon O-Ring 氟橡胶/ 硅胶						
Protection degree	防护等级	IP67, IP68						
Pollution degree	污染等级	3						

Ordering No. 订购料号

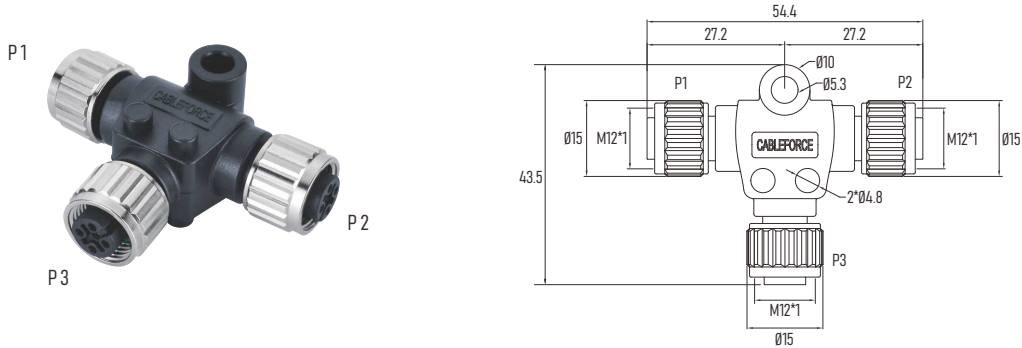
Coding 防呆键	Un-Shielded 非屏蔽			
	3 Pin	4 Pin	5 Pin	8 Pin
A-Code	MC03T-FFMAP	MC04T-FFMAP	MC05T-FFMAP	MC08T-FFMAP
B-Code			MC05T-FFMBP	
D-Code		MC04T-FFMDP		

Wiring Diagram 接线表



M12 T-Connector, Female to Female x2

M12 T-型头 母头 转 2个母头



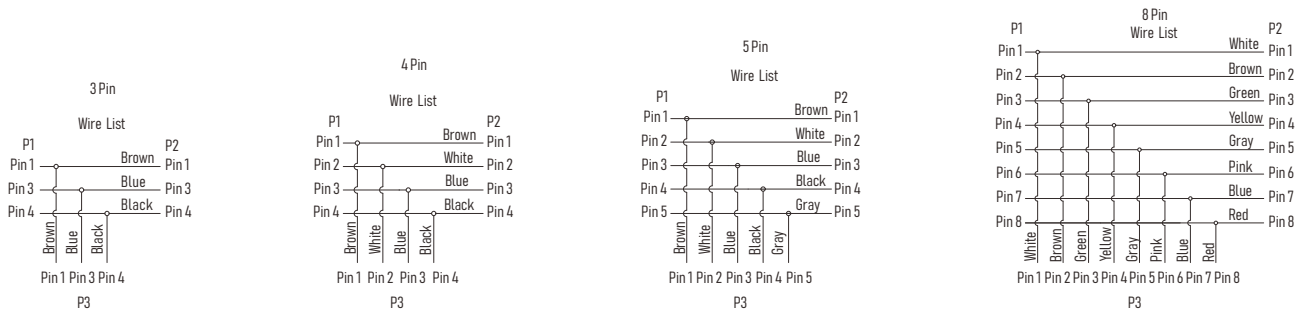
Connector Technical data 技术参数

Contacts No. Pin位/芯数	3Pin A-Code	4Pin A-Code	4Pin D-Code	5Pin A-Code	5Pin B-Code	8Pin A-Code
P1 Front View 正视图						
P2 Front View 正视图						
P3 Front View 正视图						
Reference Standard 参照标准	IEC 61076-2-101					
Rated current 额定电流	4A			2A		
Rated voltage 额定电压	250V			60V		
Impulse voltage 脉冲高压	2500V			1500V		
Locking system 锁紧方式	M12 x 1.0 screw / M12 螺丝锁紧					
Tightening Torque 螺丝扭矩	Recommend/ 建议: 0.4Nm, Max/ 最大: 0.8Nm					
Rated temperature 温度范围	Flexible/ 动态 -25 °C ... +80 °C, Static/ 静态 -40 °C ... +80 °C					
Insulation resistance 绝缘电阻	≥100MΩ					
Contact resistance 接触电阻	≤5mΩ					
Connector body 外壳材料	TPU					
Contact carrier 胶芯材料	TPU + GF					
Screw nut 螺丝材料	Brass, CNC, nickel-plated 黄铜 镀镍 机加工					
Contact Pin针端子	Phosphor bronze 磷青铜					
Contacts plating 端子镀层	Au (Gold) 镀金					
O-ring 密封圈	FKM/ Silicon O-Ring 氟橡胶/ 硅胶					
Protection degree 防护等级	IP67, IP68					
Pollution degree 污染等级	3					

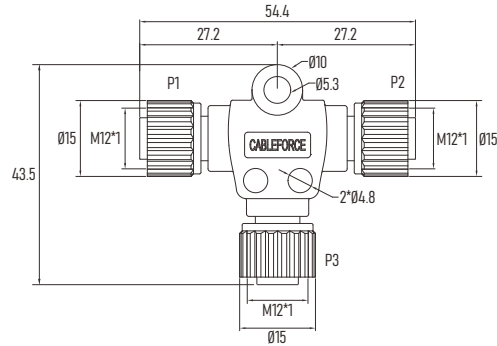
Ordering No. 订购料号

Coding 防呆键	Un-Shielded 非屏蔽				Shielded 屏蔽型			
	3 Pin	4 Pin	5 Pin	8 Pin	3 Pin	4 Pin	5 Pin	8 Pin
A-Code	MC03T-FFFAB	MC04T-FFFAB	MC05T-FFFAB	MC08T-FFFAB	MC03T-FFFASB	MC04T-FFFASB	MC05T-FFFASB	MC08T-FFFASB
B-Code			MC05T-FFFBB				MC05T-FFFBSB	
D-Code		MC04T-FFFDB				MC04T-FFFDSB		

Wiring Diagram 接线表



M12 T-Connector, Female to Female x2, Plastic
M12 T-型头 母头 转 2个母头 塑胶螺丝



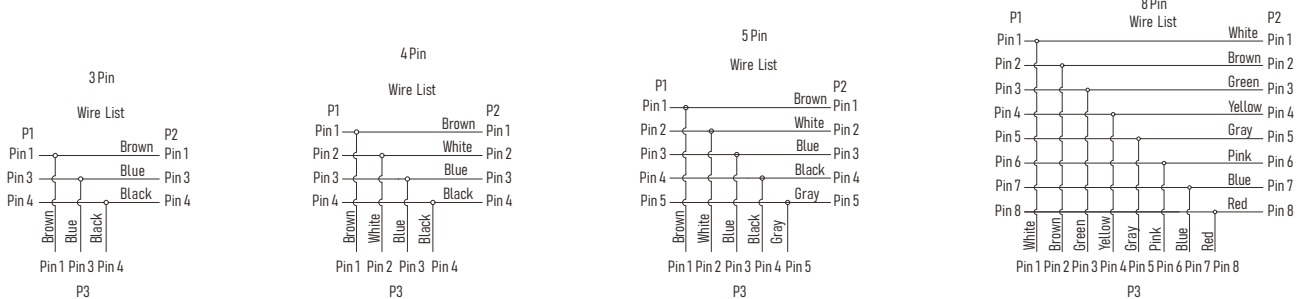
Connector Technical data 技术参数

Contacts No.	Pin位/芯数	3Pin A-Code	4Pin A-Code	4Pin D-Code	5Pin A-Code	5Pin B-Code	8Pin A-Code	
P1 Front View	正视图							
P2 Front View	正视图							
P3 Front View	正视图							
Reference Standard	参照标准	IEC 61076-2-101						
Rated current	额定电流	4A						2A
Rated voltage	额定电压	250V				60V		30V
Impulse voltage	脉冲高压	2500V				1500V		800V
Locking system	锁紧方式	M12 x 1.0 screw / M12 螺丝锁紧						
Tightening Torque	螺丝扭矩	Recommend/ 建议:0.4Nm, Max/ 最大:0.8Nm						
Rated temperature	温度范围	Flexible/ 动态 -25 °C ... +80 °C, Static/ 静态 -40 °C ... +80 °C						
Insulation resistance	绝缘电阻	≥100MΩ						
Contact resistance	接触电阻	≤5mΩ						
Connector body	外壳材料	TPU						
Contact carrier	胶芯材料	TPU + GF						
Screw nut	螺丝材料	PA66 + GF 尼龙加玻纤						
Contact	Pin针端子	Phosphor bronze 磷青铜						
Contacts plating	端子镀层	Au (Gold) 镀金						
O-ring	密封圈	FKM/ Silicon O-Ring 氟橡胶/ 硅胶						
Protection degree	防护等级	IP67, IP68						
Pollution degree	污染等级	3						

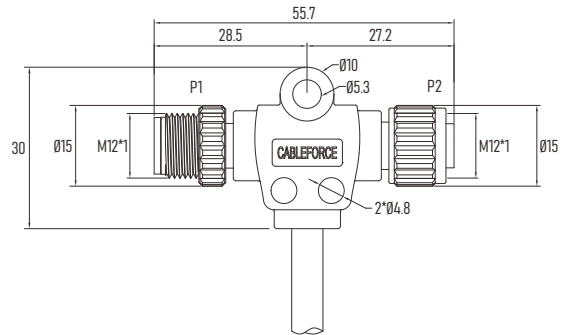
Ordering No. 订购料号

Coding 防呆键	Un-Shielded 非屏蔽			
	3 Pin	4 Pin	5 Pin	8 Pin
A-Code	MC03T-FFFAP	MC04T-FFFAP	MC05T-FFFAP	MC08T-FFFAP
B-Code			MC05T-FFFBP	
D-Code		MC04T-FFFDp		

Wiring Diagram 接线表



M12 Power-Tap, Male to Female, Molded Cable M12 T-型 电源线



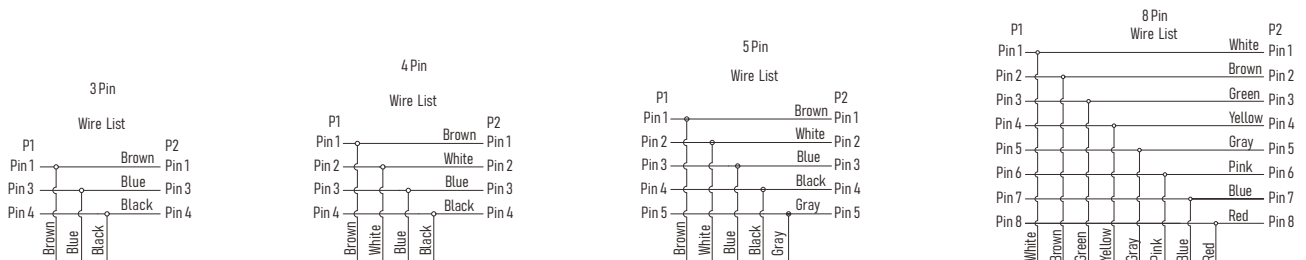
Connector Technical data 技术参数

Contacts No. Pin位/芯数	3Pin A-Code	4Pin A-Code	4Pin D-Code	5Pin A-Code	5Pin B-Code	8Pin A-Code
P1 Front View 正视图						
P2 Front View 正视图						
Reference Standard 参照标准	IEC 61076-2-101					
Rated current 额定电流	4A					2A
Rated voltage 额定电压	250V					30V
Impulse voltage 脉冲高压	2500V					1500V
Locking system 锁紧方式	M12 x 1.0 screw / M12 螺丝锁紧					
Tightening Torque 螺丝扭矩	Recommend/ 建议: 0.4Nm, Max/ 最大: 0.8Nm					
Rated temperature 温度范围	Flexible/ 动态 -25 °C ... +80 °C, Static/ 静态 -40 °C ... +80 °C					
Insulation resistance 绝缘电阻	≥ 100MΩ					
Contact resistance 接触电阻	≤ 5mΩ					
Connector body 外壳材料	TPU					
Contact carrier 胶芯材料	TPU + GF					
Screw nut 螺丝材料	Brass, CNC, nickel-plated 黄铜 镀镍 机加工					
Contact Pin针端子	Brass 黄铜; Phosphor bronze 磷青铜					
Contacts plating 端子镀层	Au (Gold) 镀金					
O-ring 密封圈	FKM/ Silicon O-Ring 氟橡胶/ 硅胶					
Protection degree 防护等级	IP67, IP68					
Pollution degree 污染等级	3					

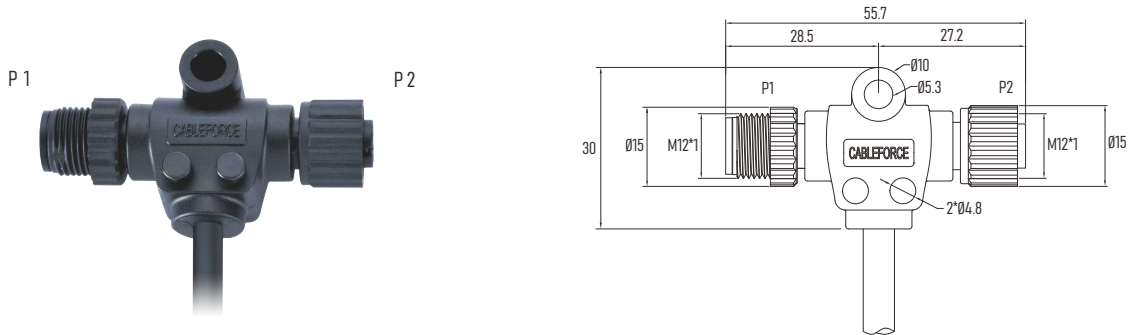
Ordering No. 订购料号

Coding 防呆键	Un-Shielded 非屏蔽				Shielded 屏蔽型			
	3 Pin	4 Pin	5 Pin	8 Pin	3 Pin	4 Pin	5 Pin	8 Pin
A-Code	MC03T6-CMFAB	MC04T6-CMFAB	MC05T6-CMFAB	MC08T6-CMFAB	MC03T6-CMFASB	MC04T6-CMFASB	MC05T6-CMFASB	MC08T6-CMFASB
B-Code			MC05T6-CMFBB				MC05T6-CMFBSB	
D-Code		MC04T6-CMFOB				MC04T6-CMFDSB		

Wiring Diagram 接线表



M12 Power-Tap, Male to Female, Molded Cable, Plastic
M12 T-型 电源线 塑胶螺丝



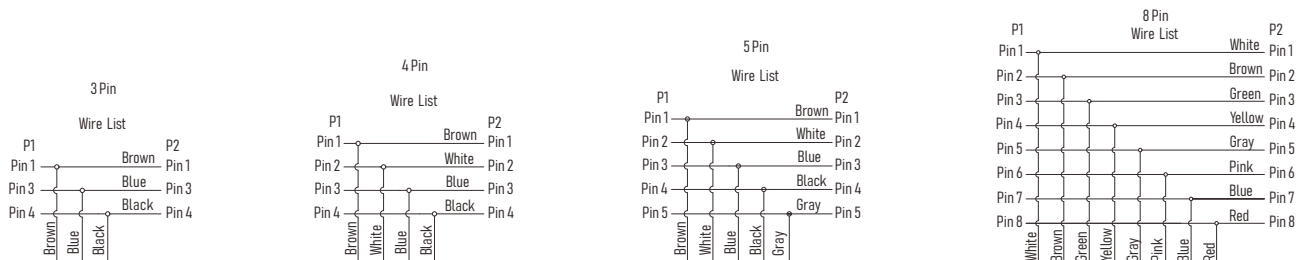
Connector Technical data 技术参数

Contacts No.	Pin位/芯数	3Pin A-Code	4Pin A-Code	4Pin D-Code	5Pin A-Code	5Pin B-Code	8Pin A-Code	
P1 Front View	正视图							
P2 Front View	正视图							
Reference Standard	参照标准	IEC 61076-2-101						
Rated current	额定电流	4A						2A
Rated voltage	额定电压	250V				60V		30V
Impulse voltage	脉冲高压	2500V				1500V		800V
Locking system	锁紧方式	M12 x 1.0 screw / M12 螺丝锁紧						
Tightening Torque	螺丝扭矩	Recommend/ 建议: 0.4Nm, Max/ 最大: 0.8Nm						
Rated temperature	温度范围	Flexible/ 动态 -25 °C ... +80 °C, Static/ 静态 -40 °C ... +80 °C						
Insulation resistance	绝缘电阻	≥ 100MΩ						
Contact resistance	接触电阻	≤ 5mΩ						
Connector body	外壳材料	TPU						
Contact carrier	胶芯材料	TPU + GF						
Screw nut	螺丝材料	PA66 + GF 尼龙加玻纤						
Contact	Pin针端子	Brass 黄铜; Phosphor bronze 磷青铜						
Contacts plating	端子镀层	Au (Gold) 镀金						
O-ring	密封圈	FKM/ Silicon O-Ring 氟橡胶/ 硅胶						
Protection degree	防护等级	IP67, IP68						
Pollution degree	污染等级	3						

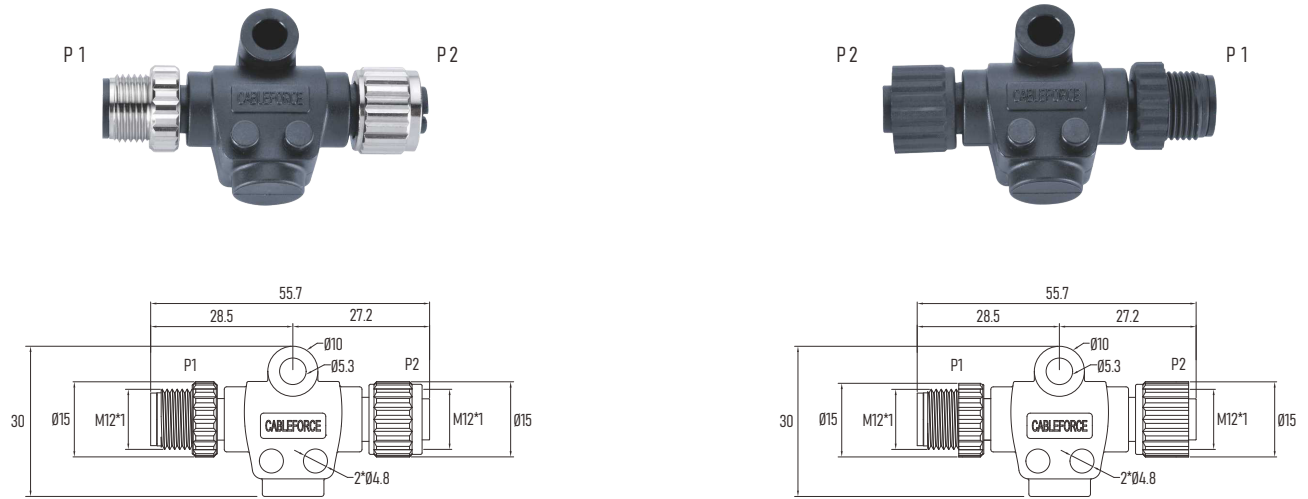
Ordering No. 订购料号

Coding 防呆键	Un-Shielded 非屏蔽			
	3 Pin	4 Pin	5 Pin	8 Pin
A-Code	MC03T6-CMFAP	MC04T6-CMFAP	MC05T6-CMFAP	MC08T6-CMFAP
B-Code			MC05T6-CMFBP	
D-Code		MC04T6-CMFDP		

Wiring Diagram 接线表



M12 Terminator, Male to Female, Molded 120 Ohm Resistor M12 I-型 终端电阻 公母头转接头



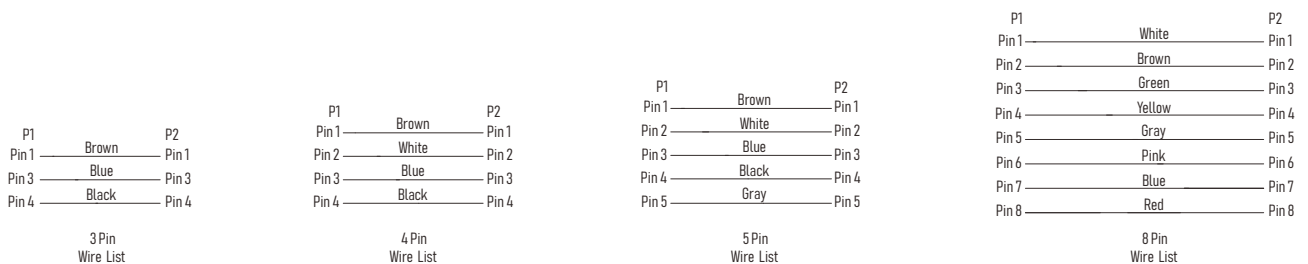
Connector Technical data 技术参数

Contacts No. 针位/芯数	3Pin A-Code	4Pin A-Code	4Pin D-Code	5Pin A-Code	5Pin B-Code	8Pin A-Code
P1 Front View 正视图						
P2 Front View 正视图						
Reference Standard 参照标准	IEC 61076-2-101					
Rated current 额定电流	4A					2A
Rated voltage 额定电压	250V				60V	30V
Impulse voltage 脉冲高压	2500V				1500V	800V
Locking system 锁紧方式	M12 x 1.0 screw / M12 螺丝锁紧					
Tightening Torque 螺丝扭矩	Recommend/ 建议: 0.4Nm, Max/ 最大: 0.8Nm					
Rated temperature 温度范围	Flexible/ 动态 -25 °C ... +80 °C, Static/ 静态 -40 °C ... +80 °C					
Insulation resistance 绝缘电阻	≥ 100MΩ					
Contact resistance 接触电阻	≤ 5mΩ					
Connector body 外壳材料	TPU					
Contact carrier 胶芯材料	TPU + GF					
Screw nut 螺丝材料	Brass, CNC, nickel-plated 黄铜 镀镍 机加工 / PA66 + GF 尼龙加玻纤					
Contact 针端子	Brass 黄铜; Phosphor bronze 磷青铜					
Contacts plating 端子镀层	Au (Gold) 镀金					
O-ring 密封圈	FKM/ Silicon O-Ring 氟橡胶/ 硅胶					
Protection degree 防护等级	IP67, IP68					
Pollution degree 污染等级	3					

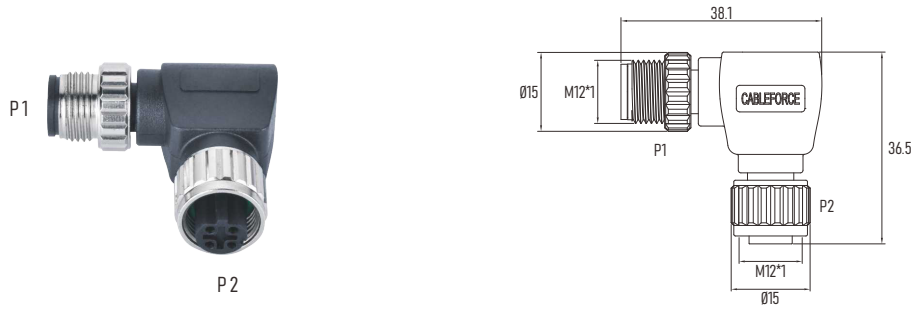
Ordering No. 订购料号

Coding 防呆键	Metal Screw 金属螺丝				Plastic Screw 塑胶螺丝			
	3 Pin	4 Pin	5 Pin	8 Pin	3 Pin	4 Pin	5 Pin	8 Pin
A-Code	MC03TLAB	MC04TLAB	MC05TLAB	MC08TLAB	MC03TLAP	MC04TLAP	MC05TLAP	MC08TLAP
B-Code			MC05TLBB				MC05TLBP	
D-Code		MC04TLDB				MC04TLDP		

Wiring Diagram 接线表



M12 L-Adapter, Male to Female M12 L-型转接头 公头 转 母头



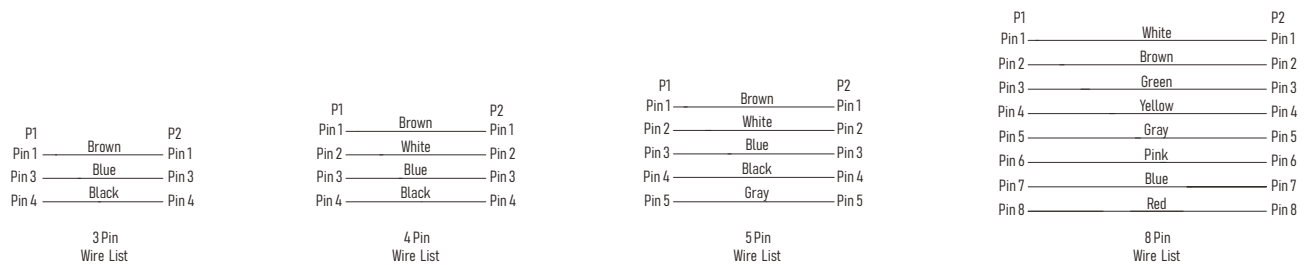
Connector Technical data 技术参数

Contacts No.	Pin位/芯数	3Pin A-Code	4Pin A-Code	4Pin D-Code	5Pin A-Code	5Pin B-Code	8Pin A-Code	
P1 Front View	正视图							
P2 Front View	正视图							
Reference Standard	参照标准	IEC 61076-2-101						
Rated current	额定电流	4A						2A
Rated voltage	额定电压	250V				60V		30V
Impulse voltage	脉冲高压	2500V				1500V		800V
Locking system	锁紧方式	M12 x 1.0 screw / M12 螺丝锁紧						
Tightening Torque	螺丝扭矩	Recommend/ 建议: 0.4Nm, Max/ 最大: 0.8Nm						
Rated temperature	温度范围	Flexible/ 动态 -25 °C ... +80 °C, Static/ 静态 -40 °C ... +80 °C						
Insulation resistance	绝缘电阻	≥ 100MΩ						
Contact resistance	接触电阻	≤ 5mΩ						
Connector body	外壳材料	TPU						
Contact carrier	胶芯材料	TPU + GF						
Screw nut	螺丝材料	Brass, CNC, nickel-plated 黄铜 镀镍 机加工						
Contact	Pin针端子	Brass 黄铜; Phosphor bronze 磷青铜						
Contacts plating	端子镀层	Au (Gold) 镀金						
O-ring	密封圈	FKM/ Silicon O-Ring 氟橡胶/ 硅胶						
Protection degree	防护等级	IP67, IP68						
Pollution degree	污染等级	3						

Ordering No. 订购料号

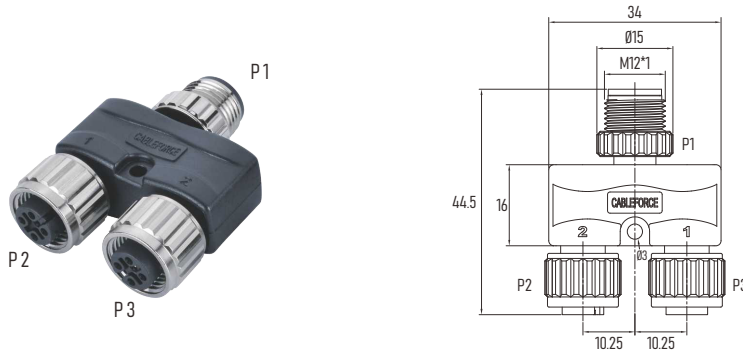
Coding 防呆键	Un-Shielded 非屏蔽				Shielded 屏蔽型			
	3 Pin	4 Pin	5 Pin	8 Pin	3 Pin	4 Pin	5 Pin	8 Pin
A-Code	MC03TR-MFAB	MC04TR-MFAB	MC05TR-MFAB	MC08TR-MFAB	MC03TR-MFASB	MC04TR-MFASB	MC05TR-MFASB	MC08TR-MFASB
B-Code			MC05TR-MFBB				MC05TR-MFBSB	
D-Code		MC04TR-MFDB				MC04TR-MFDSB		

Wiring Diagram 接线表



M12 Y-Splitter, Male to Female x 2

M12 Y-型头 公头 转 2个母头



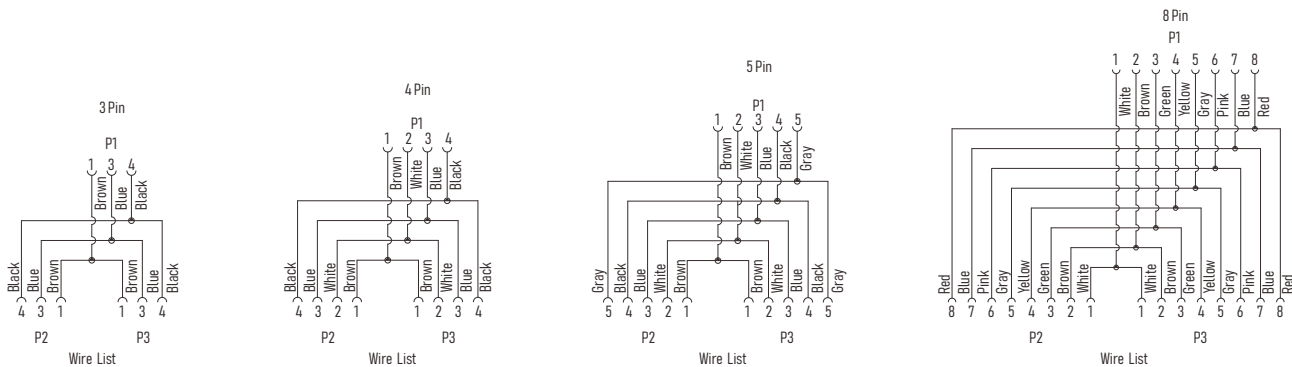
Connector Technical data 技术参数

Contacts No. Pin位/芯数	3Pin A-Code	4Pin A-Code	4Pin D-Code	5Pin A-Code	5Pin B-Code	8Pin A-Code
P1 Front View 正视图						
P2 Front View 正视图						
P3 Front View 正视图						
Reference Standard 参照标准	IEC 61076-2-101					
Rated current 额定电流	4A					
Rated voltage 额定电压	250V			60V		30V
Impulse voltage 脉冲高压	2500V			1500V		800V
Locking system 锁紧方式	M12 x 1.0 screw / M12 螺丝锁紧					
Tightening Torque 螺丝扭矩	Recommend/ 建议: 0.4Nm, Max/ 最大: 0.8Nm					
Rated temperature 温度范围	Flexible/ 动态 -25 °C ... +80 °C, Static/ 静态 -40 °C ... +80 °C					
Insulation resistance 绝缘电阻	≥100MΩ					
Contact resistance 接触电阻	≤5mΩ					
Connector body 外壳材料	TPU					
Contact carrier 胶芯材料	TPU + GF					
Screw nut 螺丝材料	Brass, CNC, nickel-plated 黄铜 镀镍 机加工					
Contact Pin针端子	Brass 黄铜; Phosphor bronze 磷青铜					
Contacts plating 端子镀层	Au (Gold) 镀金					
O-ring 密封圈	FKM/ Silicon O-Ring 氟橡胶/ 硅胶					
Protection degree 防护等级	IP67, IP68					
Pollution degree 污染等级	3					

Ordering No. 订购料号

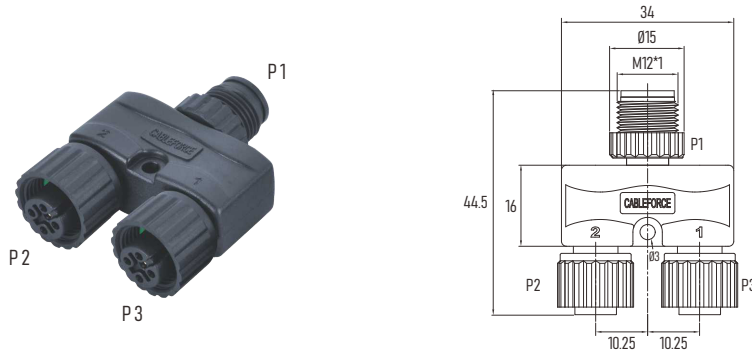
Coding 防呆键	Un-Shielded 非屏蔽				Shielded 屏蔽型			
	3 Pin	4 Pin	5 Pin	8 Pin	3 Pin	4 Pin	5 Pin	8 Pin
A-Code	MC03Y-MFFAB	MC04Y-MFFAB	MC05Y-MFFAB	MC08Y-MFFAB	MC03Y-MFFASB	MC04Y-MFFASB	MC05Y-MFFASB	MC08Y-MFFASB
B-Code			MC05Y-MFFBB				MC05Y-MFFBSB	
D-Code		MC04Y-MFFDB				MC04Y-MFFDSB		

Wiring Diagram 接线表



M12 Y-Splitter, Male to Female x 2, Plastic

M12 Y-型头 公头 转 2个母头 塑胶螺丝



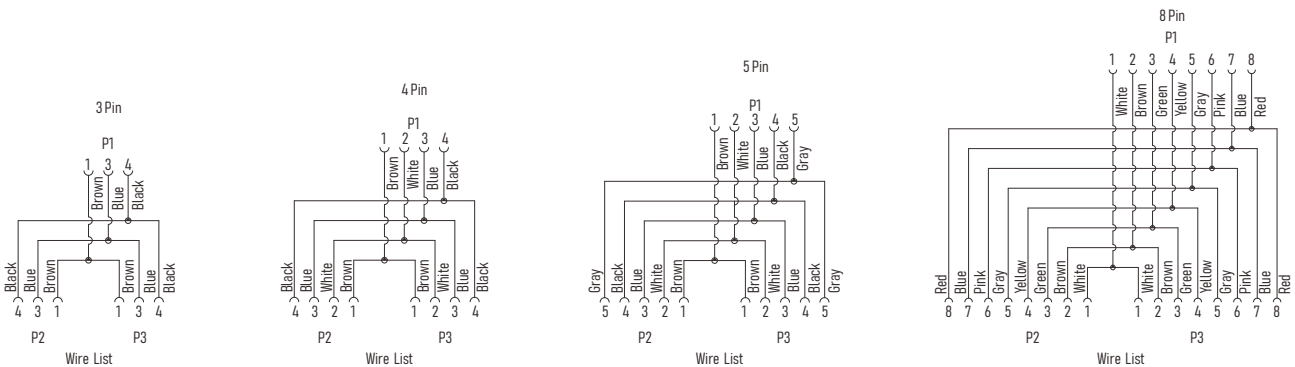
Connector Technical data 技术参数

Contacts No.	Pin位/芯数	3Pin A-Code	4Pin A-Code	4Pin D-Code	5Pin A-Code	5Pin B-Code	8Pin A-Code	
P1 Front View	正视图							
P2 Front View	正视图							
P3 Front View	正视图							
Reference Standard	参照标准	IEC 61076-2-101						
Rated current	额定电流	4A						
Rated voltage	额定电压	250V				60V		30V
Impulse voltage	脉冲高压	2500V				1500V		800V
Locking system	锁紧方式	M12 x 1.0 screw / M12 螺丝锁紧						
Tightening Torque	螺丝扭矩	Recommend/ 建议: 0.4Nm, Max/ 最大: 0.8Nm						
Rated temperature	温度范围	Flexible/ 动态 -25 °C ... +80 °C, Static/ 静态 -40 °C ... +80 °C						
Insulation resistance	绝缘电阻	≥100MΩ						
Contact resistance	接触电阻	≤5mΩ						
Connector body	外壳材料	TPU						
Contact carrier	胶芯材料	TPU + GF						
Screw nut	螺丝材料	PA66 + GF 尼龙加玻纤						
Contact	Pin针端子	Brass 黄铜; Phosphor bronze 磷青铜						
Contacts plating	端子镀层	Au (Gold) 镀金						
O-ring	密封圈	FKM/ Silicon O-Ring 氟橡胶/ 硅胶						
Protection degree	防护等级	IP67, IP68						
Pollution degree	污染等级	3						

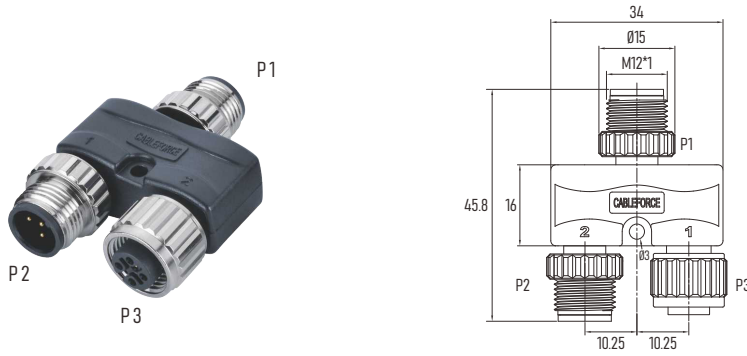
Ordering No. 订购料号

Coding 防呆键	Un-Shielded 非屏蔽			
	3 Pin	4 Pin	5 Pin	8 Pin
A-Code	MC03Y-MFFAP	MC04Y-MFFAP	MC05Y-MFFAP	MC08Y-MFFAP
B-Code			MC05Y-MFFBP	
D-Code		MC04Y-MFFDP		

Wiring Diagram 接线表



M12 Y-Splitter, Male to Male/ Female M12 Y-型头 公头 转 公头/ 母头



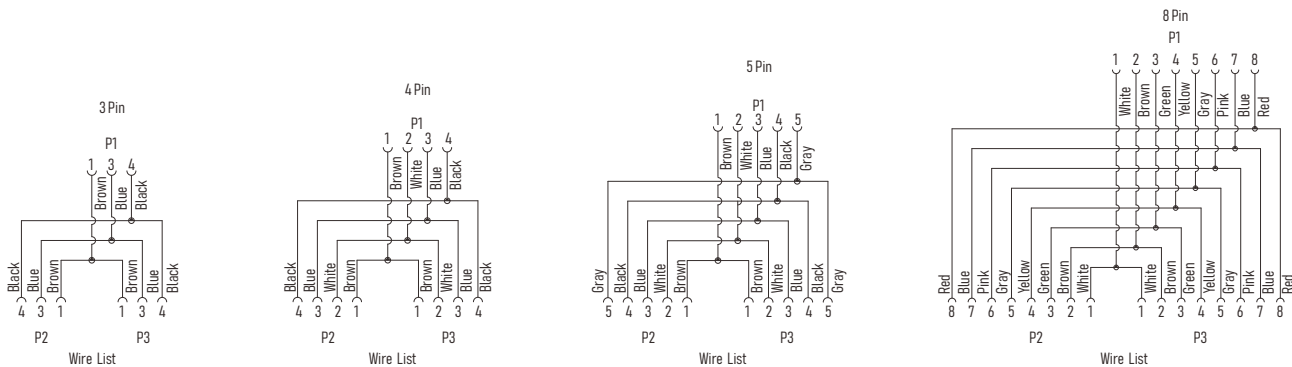
Connector Technical data 技术参数

Contacts No.	Pin位/芯数	3Pin A-Code	4Pin A-Code	4Pin D-Code	5Pin A-Code	5Pin B-Code	8Pin A-Code	
P1 Front View	正视图							
P2 Front View	正视图							
P3 Front View	正视图							
Reference Standard	参照标准	IEC 61076-2-101						
Rated current	额定电流	4A						
Rated voltage	额定电压	250V				60V		30V
Impulse voltage	脉冲高压	2500V				1500V		800V
Locking system	锁紧方式	M12 x 1.0 screw / M12 螺丝锁紧						
Tightening Torque	螺丝扭矩	Recommend/ 建议: 0.4Nm, Max/ 最大: 0.8Nm						
Rated temperature	温度范围	Flexible/ 动态 -25 °C ... +80 °C, Static/ 静态 -40 °C ... +80 °C						
Insulation resistance	绝缘电阻	≥100MΩ						
Contact resistance	接触电阻	≤5mΩ						
Connector body	外壳材料	TPU						
Contact carrier	胶芯材料	TPU + GF						
Screw nut	螺丝材料	Brass, CNC, nickel-plated 黄铜 镀镍 机加工						
Contact	Pin针端子	Brass 黄铜; Phosphor bronze 磷青铜						
Contacts plating	端子镀层	Au (Gold) 镀金						
O-ring	密封圈	FKM/ Silicon O-Ring 氟橡胶/ 硅胶						
Protection degree	防护等级	IP67, IP68						
Pollution degree	污染等级	3						

Ordering No. 订购料号

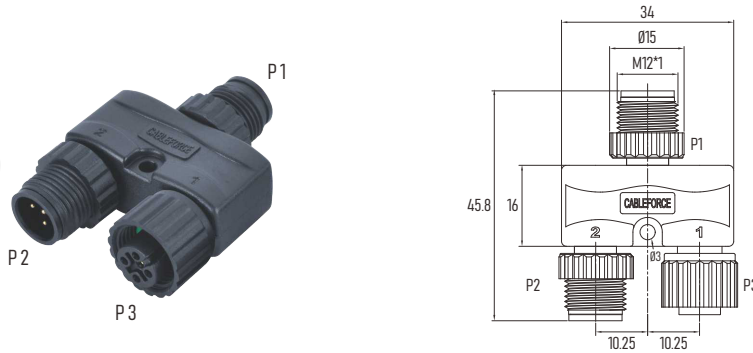
Coding 防呆键	Un-Shielded 非屏蔽				Shielded 屏蔽型			
	3 Pin	4 Pin	5 Pin	8 Pin	3 Pin	4 Pin	5 Pin	8 Pin
A-Code	MC03Y-MMFAB	MC04Y-MMFAB	MC05Y-MMFAB	MC08Y-MMFAB	MC03Y-MMFASB	MC04Y-MMFASB	MC05Y-MMFASB	MC08Y-MMFASB
B-Code			MC05Y-MMFBB				MC05Y-MMFBSB	
D-Code		MC04Y-MMFDB				MC04Y-MMFDSB		

Wiring Diagram 接线表



M12 Y-Splitter, Male to Male/ Female, Plastic

M12 Y-型头 公头 转 公头/ 母头 塑胶螺丝



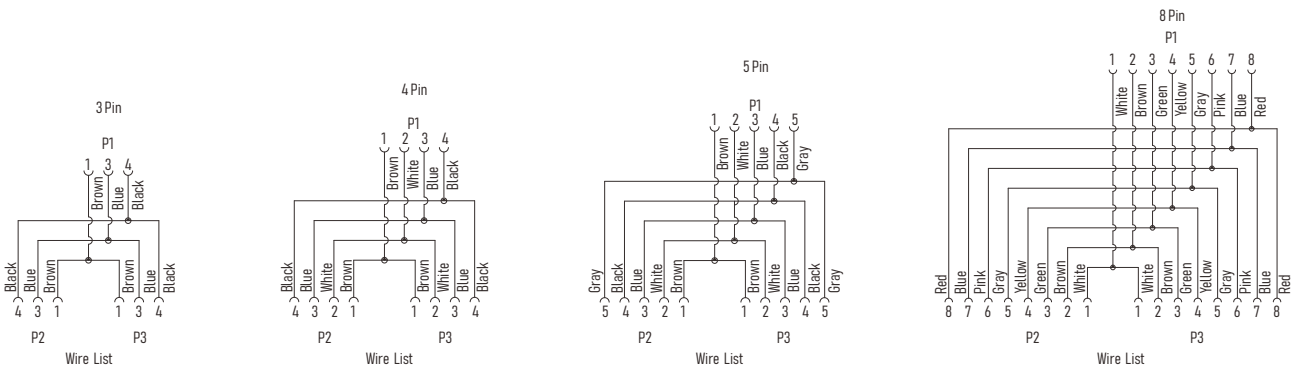
Connector Technical data 技术参数

Contacts No.	Pin位/芯数	3Pin A-Code	4Pin A-Code	4Pin D-Code	5Pin A-Code	5Pin B-Code	8Pin A-Code
P1 Front View	正视图						
P2 Front View	正视图						
P3 Front View	正视图						
Reference Standard	参照标准	IEC 61076-2-101					
Rated current	额定电流	4A					
Rated voltage	额定电压	250V				60V	
Impulse voltage	脉冲高压	2500V				1500V	
Locking system	锁紧方式	M12 x 1.0 screw / M12 螺丝锁紧					
Tightening Torque	螺丝扭矩	Recommend/ 建议: 0.4Nm, Max/ 最大: 0.8Nm					
Rated temperature	温度范围	Flexible/ 动态 -25 °C ... +80 °C, Static/ 静态 -40 °C ... +80 °C					
Insulation resistance	绝缘电阻	≥100MΩ					
Contact resistance	接触电阻	≤5mΩ					
Connector body	外壳材料	TPU					
Contact carrier	胶芯材料	TPU + GF					
Screw nut	螺丝材料	PA66 + GF 尼龙加玻纤					
Contact	Pin针端子	Brass 黄铜; Phosphor bronze 磷青铜					
Contacts plating	端子镀层	Au (Gold) 镀金					
O-ring	密封圈	FKM/ Silicon O-Ring 氟橡胶/ 硅胶					
Protection degree	防护等级	IP67, IP68					
Pollution degree	污染等级	3					

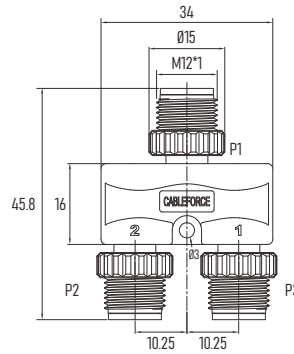
Ordering No. 订购料号

Coding 防呆键	Un-Shielded 非屏蔽			
	3 Pin	4 Pin	5 Pin	8 Pin
A-Code	MC03Y-MMFAP	MC04Y-MMFAP	MC05Y-MMFAP	MC08Y-MMFAP
B-Code			MC05Y-MMFBP	
D-Code		MC04Y-MMFDP		

Wiring Diagram 接线表



M12 Y-Splitter, Male to Male x 2 M12 Y-型头 公头 转2个公头



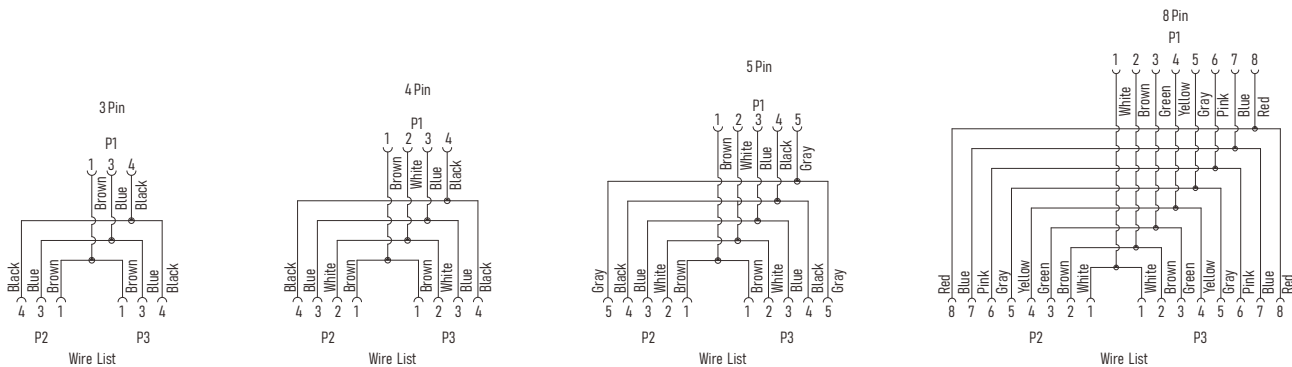
Connector Technical data 技术参数

Contacts No.	Pin位/芯数	3Pin A-Code	4Pin A-Code	4Pin D-Code	5Pin A-Code	5Pin B-Code	8Pin A-Code
P1 Front View	正视图						
P2 Front View	正视图						
P3 Front View	正视图						
Reference Standard	参照标准	IEC 61076-2-101					
Rated current	额定电流	4A					
Rated voltage	额定电压	250V				60V	
Impulse voltage	脉冲高压	2500V				1500V	
Locking system	锁紧方式	M12 x 1.0 screw / M12 螺丝锁紧					
Tightening Torque	螺丝扭矩	Recommend/ 建议: 0.4Nm, Max/ 最大: 0.8Nm					
Rated temperature	温度范围	Flexible/ 动态 -25 °C ... +80 °C, Static/ 静态 -40 °C ... +80 °C					
Insulation resistance	绝缘电阻	≥100MΩ					
Contact resistance	接触电阻	≤5mΩ					
Connector body	外壳材料	TPU					
Contact carrier	胶芯材料	TPU + GF					
Screw nut	螺丝材料	Brass, CNC, nickel-plated 黄铜 镀镍 机加工					
Contact	Pin针端子	Brass 黄铜					
Contacts plating	端子镀层	Au (Gold) 镀金					
O-ring	密封圈	FKM/ Silicon O-Ring 氟橡胶/ 硅胶					
Protection degree	防护等级	IP67, IP68					
Pollution degree	污染等级	3					

Ordering No. 订购料号

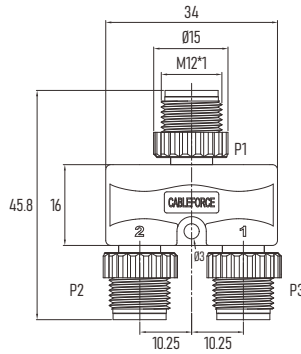
Coding 防呆键	Un-Shielded 非屏蔽				Shielded 屏蔽型			
	3 Pin	4 Pin	5 Pin	8 Pin	3 Pin	4 Pin	5 Pin	8 Pin
A-Code	MC03Y-MMMAB	MC04Y-MMMAB	MC05Y-MMMAB	MC08Y-MMMAB	MC03Y-MMMASB	MC04Y-MMMASB	MC05Y-MMMASB	MC08Y-MMMASB
B-Code			MC05Y-MMMBB				MC05Y-MMMBSB	
D-Code		MC04Y-MMMDB				MC04Y-MMMDBS		

Wiring Diagram 接线表



M12 Y-Splitter, Male to Male x 2, Plastic

M12 Y-型头 公头 转2个公头 塑胶螺丝



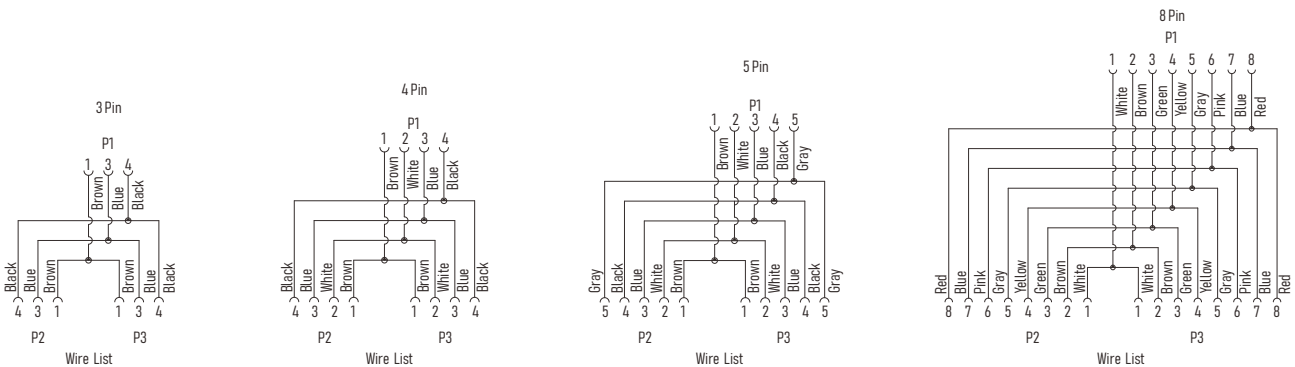
Connector Technical data 技术参数

Contacts No.	Pin位/芯数	3Pin A-Code	4Pin A-Code	4Pin D-Code	5Pin A-Code	5Pin B-Code	8Pin A-Code
P1 Front View	正视图						
P2 Front View	正视图						
P3 Front View	正视图						
Reference Standard	参照标准	IEC 61076-2-101					
Rated current	额定电流	4A					
Rated voltage	额定电压	250V			60V		30V
Impulse voltage	脉冲高压	2500V			1500V		800V
Locking system	锁紧方式	M12 x 1.0 screw / M12 螺丝锁紧					
Tightening Torque	螺丝扭矩	Recommend/ 建议: 0.4Nm, Max/ 最大: 0.8Nm					
Rated temperature	温度范围	Flexible/ 动态 -25 °C ... +80 °C, Static/ 静态 -40 °C ... +80 °C					
Insulation resistance	绝缘电阻	≥100MΩ					
Contact resistance	接触电阻	≤5mΩ					
Connector body	外壳材料	TPU					
Contact carrier	胶芯材料	TPU + GF					
Screw nut	螺丝材料	PA66 + GF 尼龙加玻纤					
Contact	Pin针端子	Brass 黄铜					
Contacts plating	端子镀层	Au (Gold) 镀金					
O-ring	密封圈	FKM/ Silicon O-Ring 氟橡胶/ 硅胶					
Protection degree	防护等级	IP67, IP68					
Pollution degree	污染等级	3					

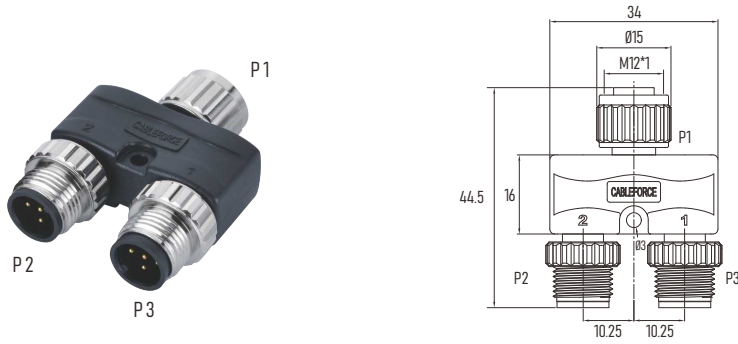
Ordering No. 订购料号

Coding 防呆键	Un-Shielded 非屏蔽			
	3 Pin	4 Pin	5 Pin	8 Pin
A-Code	MC03Y-MMMAP	MC04Y-MMMAP	MC05Y-MMMAP	MC08Y-MMMAP
B-Code			MC05Y-MMMBP	
D-Code		MC04Y-MMMDP		

Wiring Diagram 接线表



M12 Y-Splitter, Female to Male x 2 M12 Y-型头 母头 转 2个公头



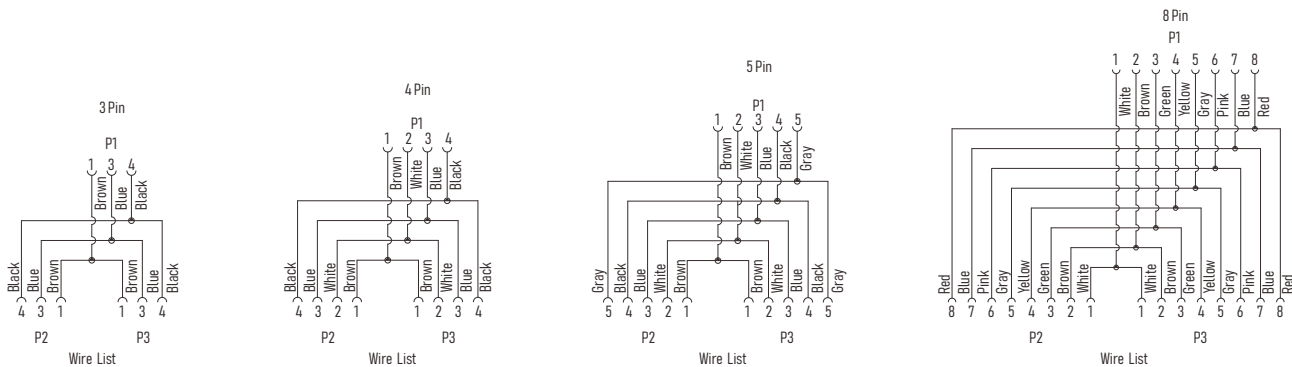
Connector Technical data 技术参数

Contacts No. Pin位/芯数	3Pin A-Code	4Pin A-Code	4Pin D-Code	5Pin A-Code	5Pin B-Code	8Pin A-Code
P1 Front View 正视图						
P2 Front View 正视图						
P3 Front View 正视图						
Reference Standard 参照标准	IEC 61076-2-101					
Rated current 额定电流	4A					
Rated voltage 额定电压	250V			60V		
Impulse voltage 脉冲高压	2500V			1500V		
800V						
Locking system 锁紧方式	M12 x 1.0 screw / M12 螺丝锁紧					
Tightening Torque 螺丝扭矩	Recommend/ 建议: 0.4Nm, Max/ 最大: 0.8Nm					
Rated temperature 温度范围	Flexible/ 动态 -25 °C ... +80 °C, Static/ 静态 -40 °C ... +80 °C					
Insulation resistance 绝缘电阻	≥100MΩ					
Contact resistance 接触电阻	≤5mΩ					
Connector body 外壳材料	TPU					
Contact carrier 胶芯材料	TPU + GF					
Screw nut 螺丝材料	Brass, CNC, nickel-plated 黄铜 镀镍 机加工					
Contact Pin针端子	Brass 黄铜; Phosphor bronze 磷青铜					
Contacts plating 端子镀层	Au (Gold) 镀金					
O-ring 密封圈	FKM/ Silicon O-Ring 氟橡胶/ 硅胶					
Protection degree 防护等级	IP67, IP68					
Pollution degree 污染等级	3					

Ordering No. 订购料号

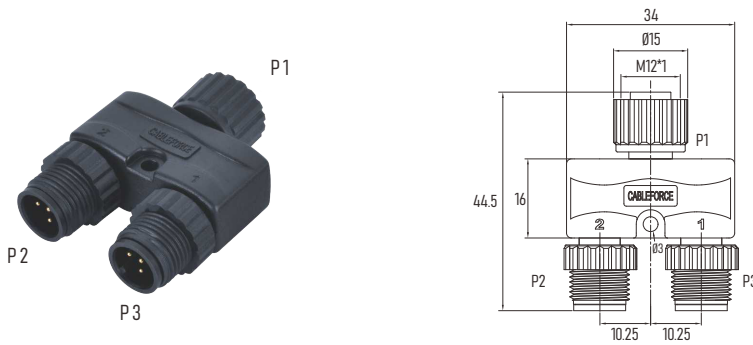
Coding 防呆键	Un-Shielded 非屏蔽				Shielded 屏蔽型			
	3 Pin	4 Pin	5 Pin	8 Pin	3 Pin	4 Pin	5 Pin	8 Pin
A-Code	MC03Y-FMMAB	MC04Y-FMMAB	MC05Y-FMMAB	MC08Y-FMMAB	MC03Y-FMMASB	MC04Y-FMMASB	MC05Y-FMMASB	MC08Y-FMMASB
B-Code			MC05Y-FMMBB				MC05Y-FMMBSB	
D-Code		MC04Y-FMMDB				MC04Y-FMMDSB		

Wiring Diagram 接线表



M12 Y-Splitter, Female to Male x 2, Plastic

M12 Y-型头 母头 转 2个公头 塑胶螺丝



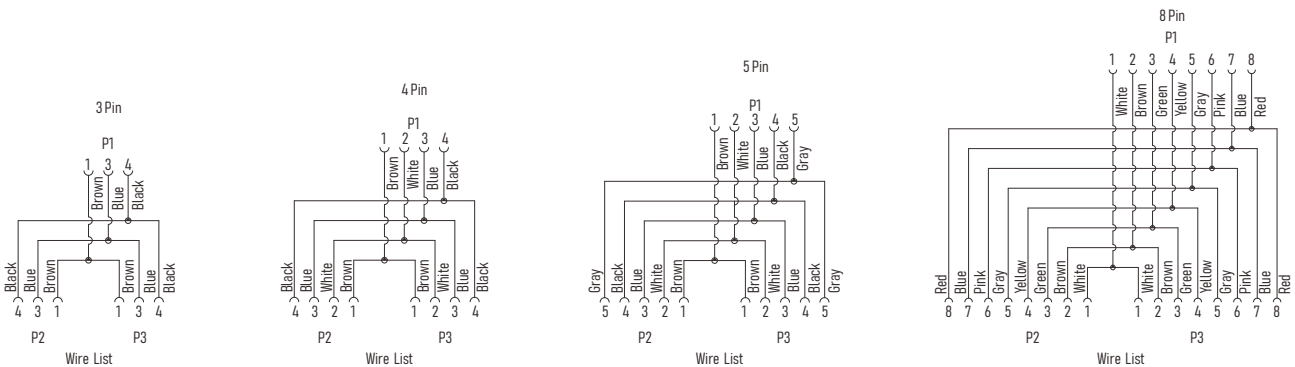
Connector Technical data 技术参数

Contacts No.	Pin位/芯数	3Pin A-Code	4Pin A-Code	4Pin D-Code	5Pin A-Code	5Pin B-Code	8Pin A-Code
P1 Front View	正视图						
P2 Front View	正视图						
P3 Front View	正视图						
Reference Standard	参照标准	IEC 61076-2-101					
Rated current	额定电流	4A					
Rated voltage	额定电压	250V			60V		30V
Impulse voltage	脉冲高压	2500V			1500V		800V
Locking system	锁紧方式	M12 x 1.0 screw / M12 螺丝锁紧					
Tightening Torque	螺丝扭矩	Recommend/ 建议:0.4Nm, Max/ 最大:0.8Nm					
Rated temperature	温度范围	Flexible/ 动态 -25 °C ... +80 °C, Static/ 静态 -40 °C ... +80 °C					
Insulation resistance	绝缘电阻	≥100MΩ					
Contact resistance	接触电阻	≤5mΩ					
Connector body	外壳材料	TPU					
Contact carrier	胶芯材料	TPU + GF					
Screw nut	螺丝材料	PA66 + GF 尼龙加玻纤					
Contact	Pin针端子	Brass 黄铜; Phosphor bronze 磷青铜					
Contacts plating	端子镀层	Au (Gold) 镀金					
O-ring	密封圈	FKM/ Silicon O-Ring 氟橡胶/ 硅胶					
Protection degree	防护等级	IP67, IP68					
Pollution degree	污染等级	3					

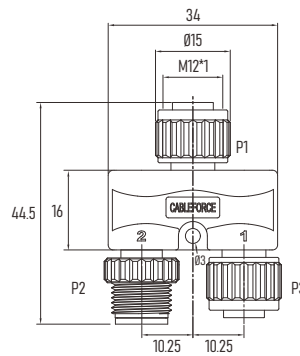
Ordering No. 订购料号

Coding 防呆键	Un-Shielded 非屏蔽			
	3 Pin	4 Pin	5 Pin	8 Pin
A-Code	MC03Y-FMMAP	MC04Y-FMMAP	MC05Y-FMMAP	MC08Y-FMMAP
B-Code			MC05Y-FMMBP	
D-Code		MC04Y-FMMDP		

Wiring Diagram 接线表



M12 Y-Splitter, Female to Male/ Female M12 Y-型头 母头 转 公头/ 母头



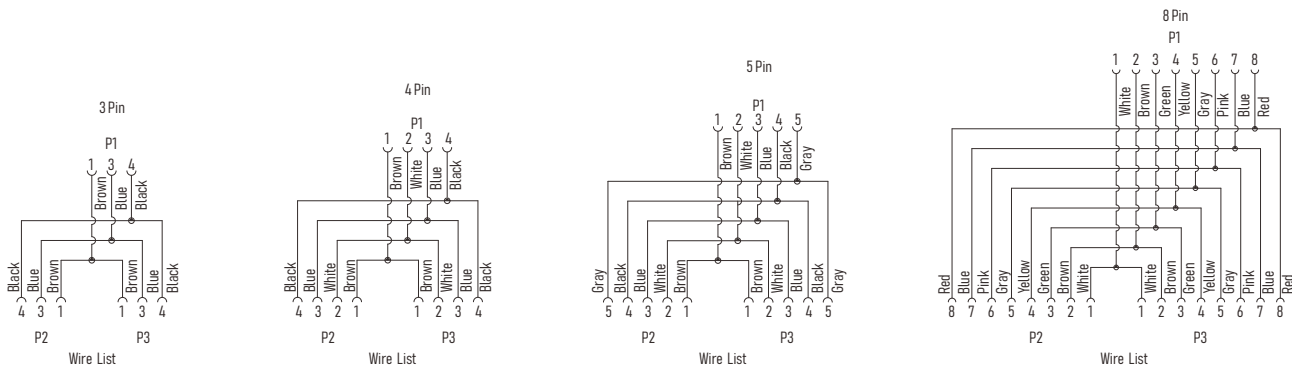
Connector Technical data 技术参数

Contacts No. Pin位/芯数	3Pin A-Code	4Pin A-Code	4Pin D-Code	5Pin A-Code	5Pin B-Code	8Pin A-Code
P1 Front View 正视图						
P2 Front View 正视图						
P3 Front View 正视图						
Reference Standard 参照标准	IEC 61076-2-101					
Rated current 额定电流	4A					
Rated voltage 额定电压	250V			60V		30V
Impulse voltage 脉冲高压	2500V			1500V		800V
Locking system 锁紧方式	M12 x 1.0 screw / M12 螺丝锁紧					
Tightening Torque 螺丝扭矩	Recommend/ 建议: 0.4Nm, Max/ 最大: 0.8Nm					
Rated temperature 温度范围	Flexible/ 动态 -25 °C ... +80 °C, Static/ 静态 -40 °C ... +80 °C					
Insulation resistance 绝缘电阻	≥100MΩ					
Contact resistance 接触电阻	≤5mΩ					
Connector body 外壳材料	TPU					
Contact carrier 胶芯材料	TPU + GF					
Screw nut 螺丝材料	Brass, CNC, nickel-plated 黄铜 镀镍 机加工					
Contact Pin针端子	Brass 黄铜; Phosphor bronze 磷青铜					
Contacts plating 端子镀层	Au (Gold) 镀金					
O-ring 密封圈	FKM/ Silicon O-Ring 氟橡胶/ 硅胶					
Protection degree 防护等级	IP67, IP68					
Pollution degree 污染等级	3					

Ordering No. 订购料号

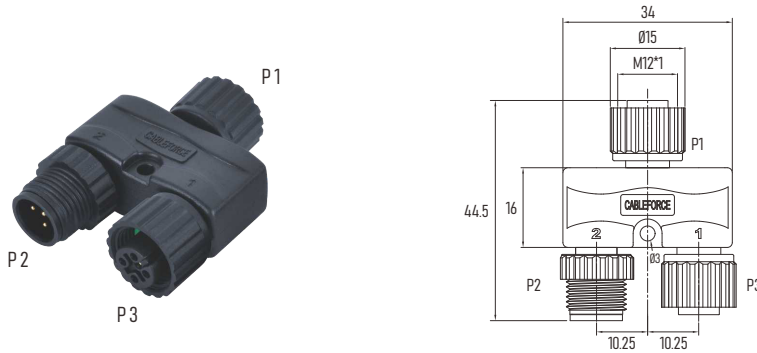
Coding 防呆键	Un-Shielded 非屏蔽				Shielded 屏蔽型			
	3 Pin	4 Pin	5 Pin	8 Pin	3 Pin	4 Pin	5 Pin	8 Pin
A-Code	MC03Y-FMFAB	MC04Y-FMFAB	MC05Y-FMFAB	MC08Y-FMFAB	MC03Y-FMFASB	MC04Y-FMFASB	MC05Y-FMFASB	MC08Y-FMFASB
B-Code			MC05Y-FMFBB				MC05Y-FMFBSB	
D-Code		MC04Y-FMFDB				MC04Y-FMFDSB		

Wiring Diagram 接线表



M12 Y-Splitter, Female to Male/ Female, Plastic

M12 Y-型头 母头 转 公头/ 母头 塑胶螺丝



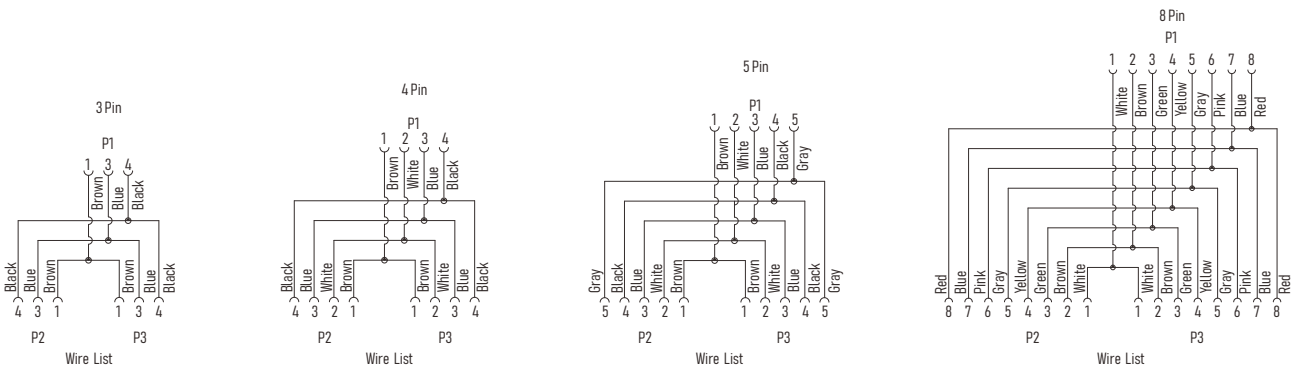
Connector Technical data 技术参数

Contacts No.	Pin位/芯数	3Pin A-Code	4Pin A-Code	4Pin D-Code	5Pin A-Code	5Pin B-Code	8Pin A-Code
P1 Front View	正视图						
P2 Front View	正视图						
P3 Front View	正视图						
Reference Standard	参照标准	IEC 61076-2-101					
Rated current	额定电流	4A					
Rated voltage	额定电压	250V				60V	
Impulse voltage	脉冲高压	2500V				1500V	
Locking system	锁紧方式	M12 x 1.0 screw / M12 螺丝锁紧					
Tightening Torque	螺丝扭矩	Recommend/ 建议: 0.4Nm, Max/ 最大: 0.8Nm					
Rated temperature	温度范围	Flexible/ 动态 -25 °C ... +80 °C, Static/ 静态 -40 °C ... +80 °C					
Insulation resistance	绝缘电阻	≥100MΩ					
Contact resistance	接触电阻	≤5mΩ					
Connector body	外壳材料	TPU					
Contact carrier	胶芯材料	TPU + GF					
Screw nut	螺丝材料	PA66 + GF 尼龙加玻纤					
Contact	Pin针端子	Brass 黄铜; Phosphor bronze 磷青铜					
Contacts plating	端子镀层	Au (Gold) 镀金					
O-ring	密封圈	FKM/ Silicon O-Ring 氟橡胶/ 硅胶					
Protection degree	防护等级	IP67, IP68					
Pollution degree	污染等级	3					

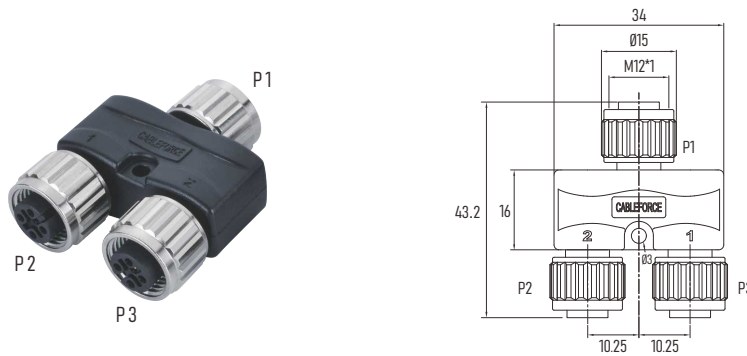
Ordering No. 订购料号

Coding 防呆键	Un-Shielded 非屏蔽			
	3 Pin	4 Pin	5 Pin	8 Pin
A-Code	MC03Y-FMFAP	MC04Y-FMFAP	MC05Y-FMFAP	MC08Y-FMFAP
B-Code			MC05Y-FMFBP	
D-Code		MC04Y-FMFD		

Wiring Diagram 接线表



M12 Y-Splitter, Female to Female x2 M12 Y-型头 母头 转 2个母头



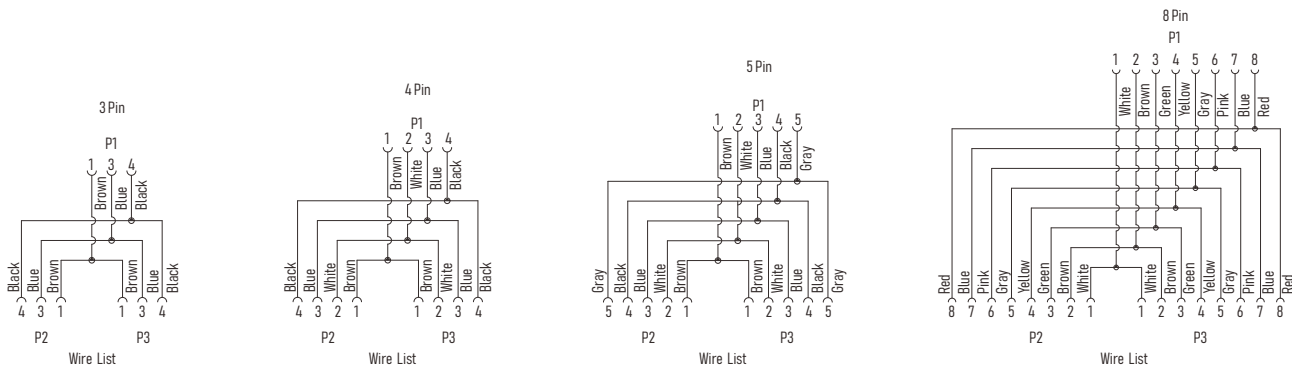
Connector Technical data 技术参数

Contacts No.	Pin位/芯数	3Pin A-Code	4Pin A-Code	4Pin D-Code	5Pin A-Code	5Pin B-Code	8Pin A-Code	
P1 Front View	正视图							
P2 Front View	正视图							
P3 Front View	正视图							
Reference Standard	参照标准	IEC 61076-2-101						
Rated current	额定电流	4A						
Rated voltage	额定电压	250V				60V		30V
Impulse voltage	脉冲高压	2500V				1500V		800V
Locking system	锁紧方式	M12 x 1.0 screw / M12 螺丝锁紧						
Tightening Torque	螺丝扭矩	Recommend/ 建议: 0.4Nm, Max/ 最大: 0.8Nm						
Rated temperature	温度范围	Flexible/ 动态 -25 °C ... +80 °C, Static/ 静态 -40 °C ... +80 °C						
Insulation resistance	绝缘电阻	≥100MΩ						
Contact resistance	接触电阻	≤5mΩ						
Connector body	外壳材料	TPU						
Contact carrier	胶芯材料	TPU + GF						
Screw nut	螺丝材料	Brass, CNC, nickel-plated 黄铜 镀镍 机加工						
Contact	Pin针端子	Phosphor bronze 磷青铜						
Contacts plating	端子镀层	Au (Gold) 镀金						
O-ring	密封圈	FKM/ Silicon O-Ring 氟橡胶/ 硅胶						
Protection degree	防护等级	IP67, IP68						
Pollution degree	污染等级	3						

Ordering No. 订购料号

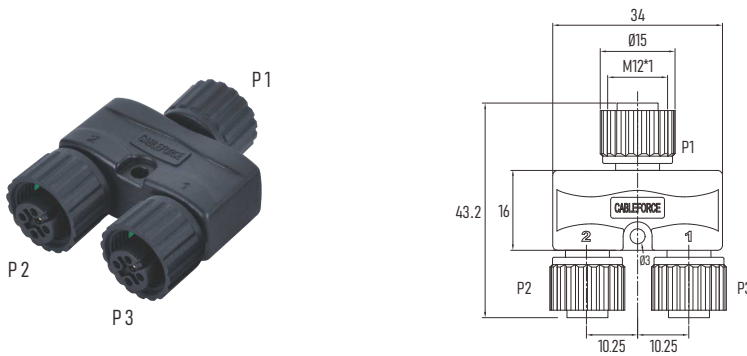
Coding 防呆键	Un-Shielded 非屏蔽				Shielded 屏蔽型			
	3 Pin	4 Pin	5 Pin	8 Pin	3 Pin	4 Pin	5 Pin	8 Pin
A-Code	MC03Y-FFFAB	MC04Y-FFFAB	MC05Y-FFFAB	MC08Y-FFFAB	MC03Y-FFFASB	MC04Y-FFFASB	MC05Y-FFFASB	MC08Y-FFFASB
B-Code			MC05Y-FFFBB				MC05Y-FFFBSB	
D-Code		MC04Y-FFFDB				MC04Y-FFFDSB		

Wiring Diagram 接线表



M12 Y-Splitter, Female to Female x2, Plastic

M12 Y-型头 母头 转 2个母头 塑胶螺丝



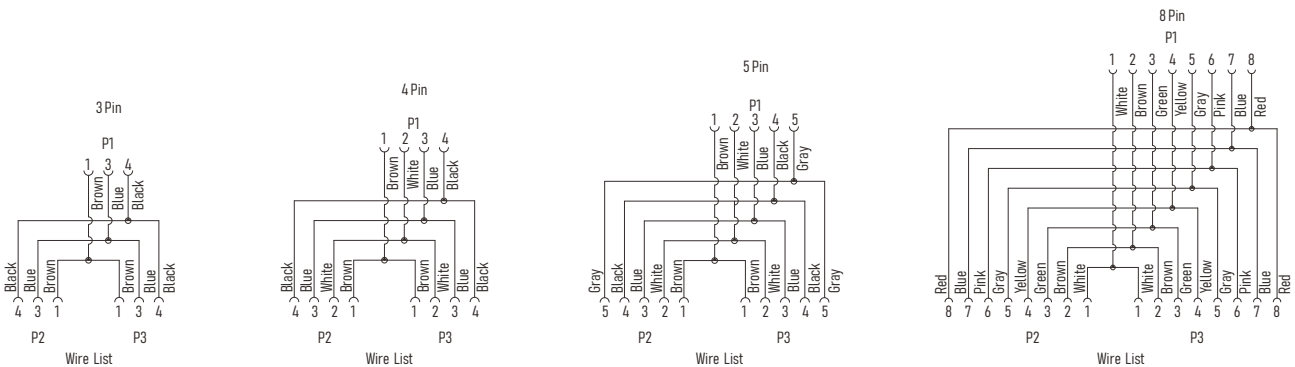
Connector Technical data 技术参数

Contacts No.	Pin位/芯数	3Pin A-Code	4Pin A-Code	4Pin D-Code	5Pin A-Code	5Pin B-Code	8Pin A-Code
P1 Front View	正视图						
P2 Front View	正视图						
P3 Front View	正视图						
Reference Standard	参照标准	IEC 61076-2-101					
Rated current	额定电流	4A					
Rated voltage	额定电压	250V				60V	
Impulse voltage	脉冲高压	2500V				1500V	
Locking system	锁紧方式	M12 x 1.0 screw / M12 螺丝锁紧					
Tightening Torque	螺丝扭矩	Recommend/ 建议:0.4Nm, Max/ 最大:0.8Nm					
Rated temperature	温度范围	Flexible/ 动态 -25 °C ... +80 °C, Static/ 静态 -40 °C ... +80 °C					
Insulation resistance	绝缘电阻	≥100MΩ					
Contact resistance	接触电阻	≤5mΩ					
Connector body	外壳材料	TPU					
Contact carrier	胶芯材料	TPU + GF					
Screw nut	螺丝材料	PA66 + GF 尼龙加玻纤					
Contact	Pin针端子	Phosphor bronze 磷青铜					
Contacts plating	端子镀层	Au (Gold) 镀金					
O-ring	密封圈	FKM/ Silicon O-Ring 氟橡胶/ 硅胶					
Protection degree	防护等级	IP67, IP68					
Pollution degree	污染等级	3					

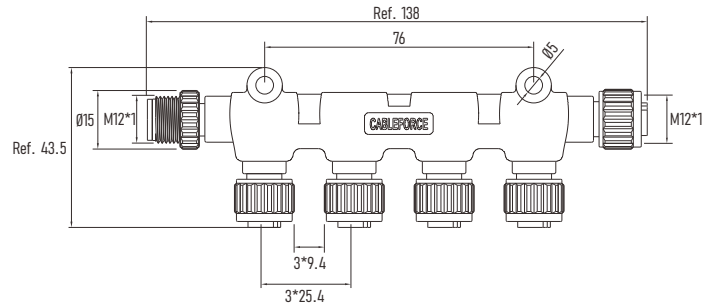
Ordering No. 订购料号

Coding 防呆键	Un-Shielded 非屏蔽			
	3 Pin	4 Pin	5 Pin	8 Pin
A-Code	MC03Y-FFFAP	MC04Y-FFFAP	MC05Y-FFFAP	MC08Y-FFFAP
B-Code			MC05Y-FFFBP	
D-Code		MC04Y-FFFD		

Wiring Diagram 接线表



M12 5Pin 4 Way T-Connector M12 5Pin 四路分线器



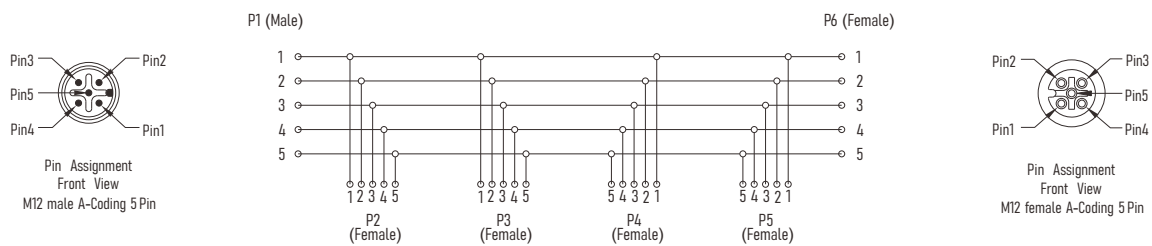
Connector Technical data 技术参数

Contacts No. Pin位/芯数	3Pin A-Code	4Pin A-Code	4Pin D-Code	5Pin A-Code	5Pin B-Code
Front View 正视图					
Reference Standard 参照标准	IEC 61076-2-101				
Rated current 额定电流	4A				
Rated voltage 额定电压	250V			60V	
Impulse voltage 脉冲高压	2500V			1500V	
Locking system 锁紧方式	M12 x 1.0 screw / M12 螺丝锁紧				
Tightening Torque 螺丝扭矩	Recommend/ 建议: 0.4Nm, Max/ 最大: 0.8Nm				
Rated temperature 温度范围	Flexible/ 动态 -25 °C ... +80 °C, Static/ 静态 -40 °C ... +80 °C				
Insulation resistance 绝缘电阻	≥ 100MΩ				
Contact resistance 接触电阻	≤ 5mΩ				
Connector body 外壳材料	TPU				
Contact carrier 胶芯材料	TPU + GF				
Screw nut 螺丝材料	Brass, CNC, nickel-plated 黄铜 镀镍 机加工				
Contact Pin针端子	Brass 黄铜; Phosphor bronze 磷青铜				
Contacts plating 端子镀层	Au (Gold) 镀金				
O-ring 密封圈	FKM/ Silicon O-Ring 氟橡胶/ 硅胶				
Protection degree 防护等级	IP67, IP68				
Pollution degree 污染等级	3				

Ordering No. 订购料号

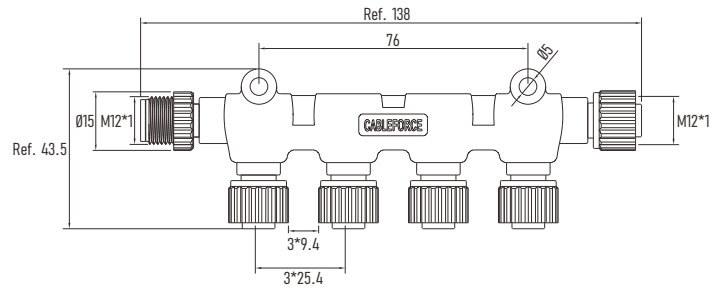
Coding 防呆键	Un-Shielded 非屏蔽				Shielded 屏蔽型			
	3 Pin	4 Pin	5 Pin	8 Pin	3 Pin	4 Pin	5 Pin	8 Pin
A-Code	MC03T5-AB	MC04T5-AB	MC05T5-AB	MC08T5-AB	MC03T5-ASB	MC04T5-ASB	MC05T5-ASB	MC08T5-ASB
B-Code			MC05T5-BB				MC05T5-BSB	
D-Code		MC04T5-DB				MC04T5-DSB		

Wiring Diagram 接线表



M12 5Pin 4 Way T-Connector, Plastic

M12 5Pin 四路分线器 塑胶螺丝



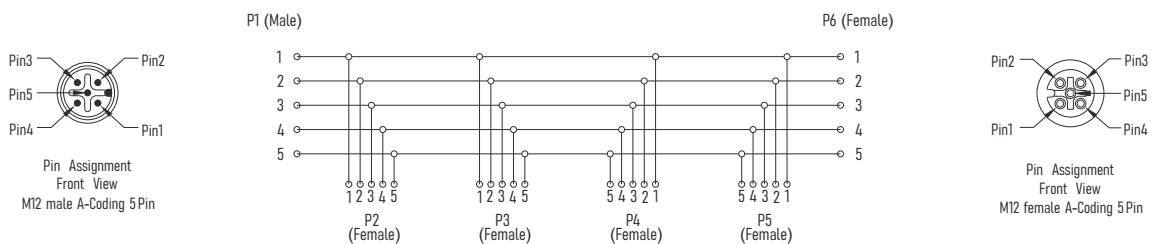
Connector Technical data 技术参数

Contacts No. Pin位/芯数	3Pin A-Code	4Pin A-Code	4Pin D-Code	5Pin A-Code	5Pin B-Code
Front View 正视图					
Reference Standard 参照标准	IEC 61076-2-101				
Rated current 额定电流	4A				2A
Rated voltage 额定电压	250V			60V	30V
Impulse voltage 脉冲高压	2500V			1500V	800V
Locking system 锁紧方式	M12 x 1.0 screw / M12 螺丝锁紧				
Tightening Torque 螺丝扭矩	Recommend/ 建议: 0.4Nm, Max/ 最大: 0.8Nm				
Rated temperature 温度范围	Flexible/ 动态 -25 °C ... +80 °C, Static/ 静态 -40 °C ... +80 °C				
Insulation resistance 绝缘电阻	≥ 100MΩ				
Contact resistance 接触电阻	≤ 5mΩ				
Connector body 外壳材料	TPU				
Contact carrier 胶芯材料	TPU + GF				
Screw nut 螺丝材料	PA66 + GF 尼龙加玻纤				
Contact Pin针端子	Brass 黄铜; Phosphor bronze 磷青铜				
Contacts plating 端子镀层	Au (Gold) 镀金				
O-ring 密封圈	FKM/ Silicon O-Ring 氟橡胶/ 硅胶				
Protection degree 防护等级	IP67, IP68				
Pollution degree 污染等级	3				

Ordering No. 订购料号

Coding 防呆键	Un-Shielded 非屏蔽			
	3 Pin	4 Pin	5 Pin	8 Pin
A-Code	MC03T5-AP	MC04T5-AP	MC05T5-AP	MC08T5-AP
B-Code			MC05T5-BP	
D-Code		MC04T5-DP		

Wiring Diagram 接线表

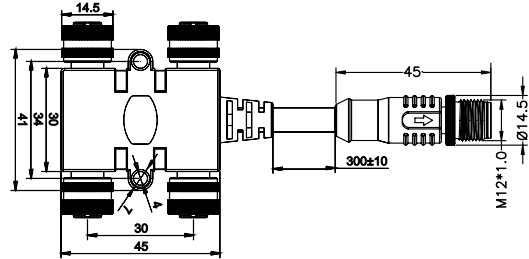


"Tortoise" Splitter

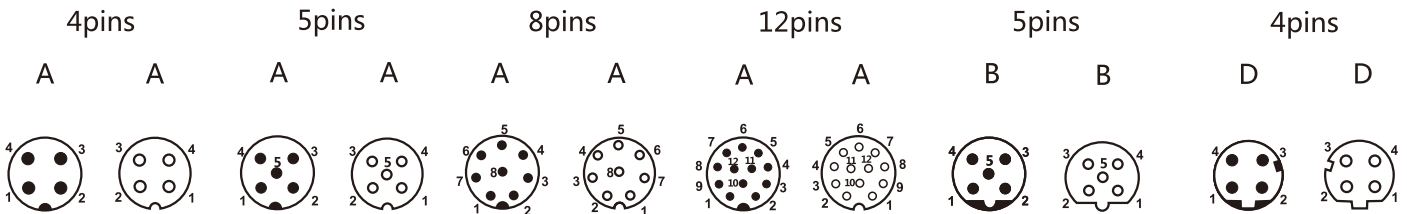
Product figure (Male to 4 Females)



Scale diagram



Contact layout/针孔排布 (Front view/前视图)



Order Data/订货信息

Contacts/芯数	Coding	Order No/订货号	P/N/料号
4pins	A		SPM12TA04004
	D	120404-10-016	SPM12TD04005
5pins	A	120105-10-006	SPM12TA05004
	B	120205-10-011	SPM12TB05005
8pins	A	120108-10-008	SPM12TA08004
12pins	A	120112-10-011	SPM12TA12005

Specifications/技术参数

Number of contacts/芯数	4	5	8	12
Termination/接线方式	—			
Wire gauge/线规	—			
Operating temperature/工作温度	-25°C ~ +80°C			
Mechanical operation/插拔次数	> 100 mating cycles			
Rated voltage/额定电压	250V	60V	30V	
Rated current (40°C)/额定电流	4A		2A	1.5A
Protection degree/防护等级	IP67/IP68			
Contact resistance/接触电阻	< 10mΩ			
Insulation resistance/绝缘电阻	≥ 100MΩ			
Pin contact/插针材料	CuZn			
Socket contact/插孔材料	CuSn			
Contact plating/针孔镀层材料	Au			

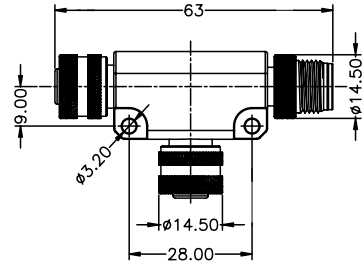
M12 Circular connectors

"T" Splitter

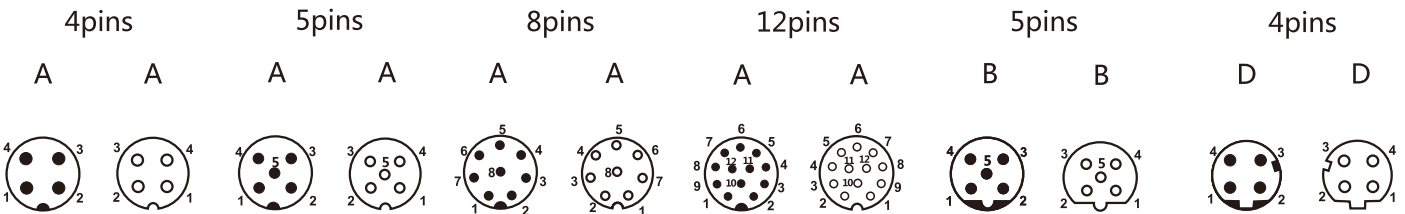
Product figure (Female to Male&Female)



Scale diagram



Contact layout/针孔排布 (Front view/前视图)



Order Data/订货信息

Contacts/芯数	Coding	Order No/订货号	P/N/料号
4pins	A	120104-10-011	SPM12TA04005
	D	120404-10-015	SPM12TD04004
5pins	A	120105-10-013	SPM12TA05005
	B	120205-10-010	SPM12TB05004
8pins	A	120108-10-013	SPM12TA08005
12pins	A	120112-10-010	SPM12TA12004

Specifications/技术参数

Number of contacts/芯数	4	5	8	12
Termination/接线方式	—			
Wire gauge/线规	—			
Operating temperature/工作温度	-25°C ~ +80°C			
Mechanical operation/插拔次数	> 100 mating cycles			
Rated voltage/额定电压	250V	60V	30V	
Rated current (40°C)/额定电流	4A		2A	1.5A
Protection degree/防护等级	IP67/IP68			
Contact resistance/接触电阻	< 10mΩ			
Insulation resistance/绝缘电阻	≥ 100MΩ			
Pin contact/插针材料	CuZn			
Socket contact/插孔材料	CuSn			
Contact plating/针孔镀层材料	Au			

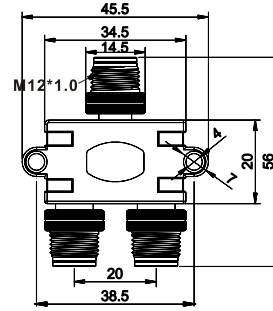
M12 Circular connectors

"Y" Splitter

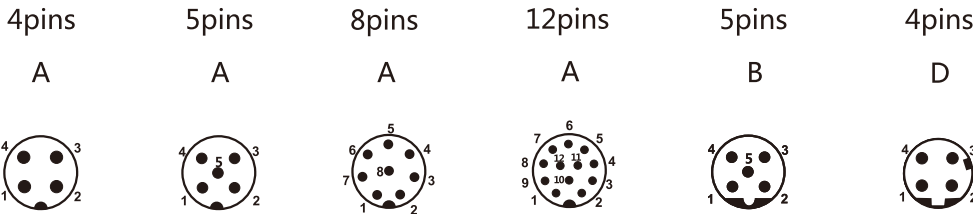
Product figure (Male to Dual Male)



Scale diagram



Contact layout/针孔排布 (Front view/前视图)



Order Data/订货信息

Contacts/芯数	Coding	Order No/订货号	P/N/料号
4pins	A	120104-10-009	SPM12YA04003
	D	120404-10-008	SPM12YD04001
5pins	A	120105-10-010	SPM12YA05003
	B	120205-10-003	SPM12YB05001
8pins	A	120108-10-012	SPM12YA08003
12pins	A	120112-10-003	SPM12YA12001

Specifications/技术参数

Number of contacts/芯数	4	5	8	12
Termination/接线方式	—			
Wire gauge/线规	—			
Operating temperature/工作温度	-25°C ~ +80°C			
Mechanical operation/插拔次数	> 100 mating cycles			
Rated voltage/额定电压	250V	60V	30V	
Rated current (40°C)/额定电流	4A		2A	1.5A
Protection degree/防护等级	IP67/IP68			
Contact resistance/接触电阻	< 10mΩ			
Insulation resistance/绝缘电阻	≥ 100MΩ			
Pin contact/插针材料	CuZn			
Socket contact/插孔材料	CuSn			
Contact plating/针孔镀层材料	Au			

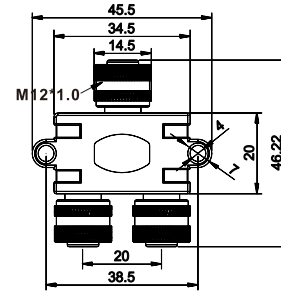
M12 Circular connectors

"Y" Splitter

Product figure (Female to Dual Female)



Scale diagram



Contact layout/针孔排布 (Front view/前视图)

4pins

A



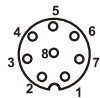
5pins

A



8pins

A



12pins

A



5pins

B



4pins

D



Order Data/订货信息

Contacts/芯数	Coding	Order No/订货号	P/N/料号
4pins	A	120104-10-010	SPM12YA04004
	D	120404-10-009	SPM12YD04002
5pins	A	120105-10-007	SPM12YA05004
	B	120205-10-004	SPM12YB05002
8pins	A	120108-10-013	SPM12YA08004
12pins	A	120112-10-004	SPM12YA12002

Specifications/技术参数

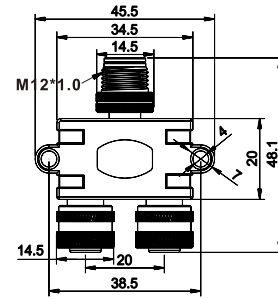
Number of contacts/芯数	4	5	8	12
Termination/接线方式	—			
Wire gauge/线规	—			
Operating temperature/工作温度	-25°C ~ +80°C			
Mechanical operation/插拔次数	> 100 mating cycles			
Rated voltage/额定电压	250V	60V	30V	
Rated current (40°C)/额定电流	4A		2A	1.5A
Protection degree/防护等级	IP67/IP68			
Contact resistance/接触电阻	< 10mΩ			
Insulation resistance/绝缘电阻	≥ 100MΩ			
Pin contact/插针材料	CuZn			
Socket contact/插孔材料	CuSn			
Contact plating/针孔镀层材料	Au			

"Y" Splitter

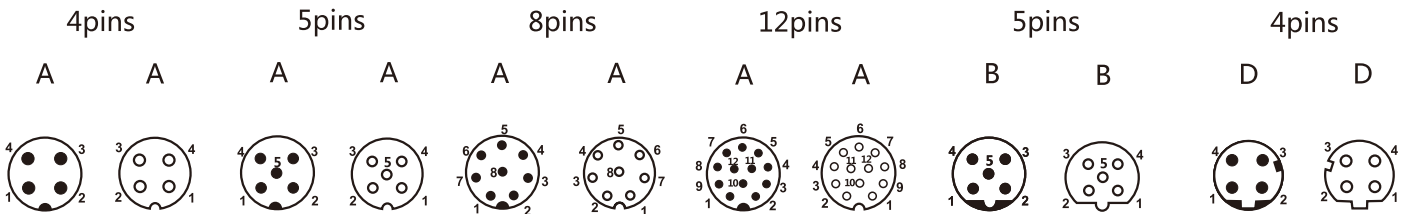
Product figure (Male to Dual Female)



Scale diagram



Contact layout/针孔排布 (Front view/前视图)



Order Data/订货信息

Contacts/芯数	Coding	Order No/订货号	P/N/料号
4pins	A	120104-10-007	SPM12YA04001
	D	120404-10-010	SPM12YD04003
5pins	A	120105-10-008	SPM12YA05001
	B	120205-10-005	SPM12YB05003
8pins	A	120108-10-010	SPM12YA08001
12pins	A	120112-10-005	SPM12YA12003

Specifications/技术参数

Number of contacts/芯数	4	5	8	12
Termination/接线方式	—			
Wire gauge/线规	—			
Operating temperature/工作温度	-25°C ~ +80°C			
Mechanical operation/插拔次数	> 100 mating cycles			
Rated voltage/额定电压	250V	60V	30V	
Rated current (40°C)/额定电流	4A		2A	1.5A
Protection degree/防护等级	IP67/IP68			
Contact resistance/接触电阻	< 10mΩ			
Insulation resistance/绝缘电阻	≥ 100MΩ			
Pin contact/插针材料	CuZn			
Socket contact/插孔材料	CuSn			
Contact plating/针孔镀层材料	Au			

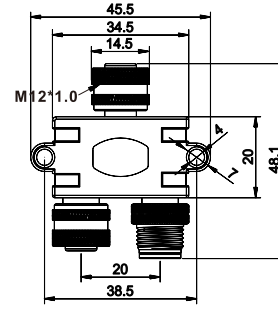
M12 Circular connectors

"Y" Splitter

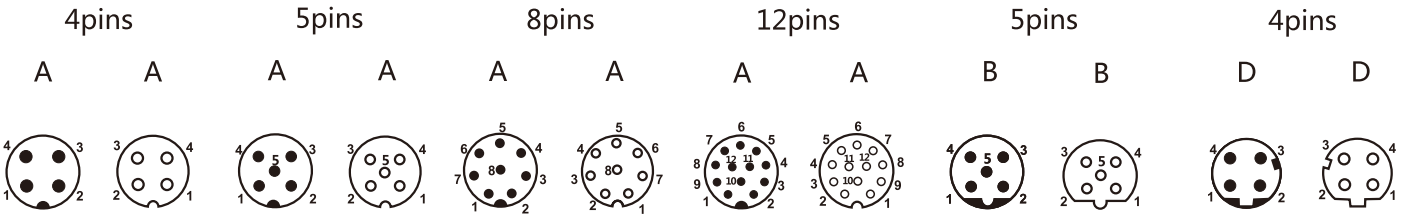
Product figure (Female to Male & Female)



Scale diagram



Contact layout/针孔排布 (Front view/前视图)



Order Data/订货信息

Contacts/芯数	Coding	Order No/订货号	P/N/料号
4pins	A	120104-10-008	SPM12YA04002
	D	120404-10-011	SPM12YD04004
5pins	A	120105-10-009	SPM12YA05002
	B	120205-10-006	SPM12YB05004
8pins	A	120108-10-011	SPM12YA08002
12pins	A	120112-10-006	SPM12YA12004

Specifications/技术参数

Number of contacts/芯数	4	5	8	12
Termination/接线方式	—			
Wire gauge/线规	—			
Operating temperature/工作温度	-25°C ~ +80°C			
Mechanical operation/插拔次数	> 100 mating cycles			
Rated voltage/额定电压	250V	60V	30V	
Rated current (40°C)/额定电流	4A		2A	1.5A
Protection degree/防护等级	IP67/IP68			
Contact resistance/接触电阻	< 10mΩ			
Insulation resistance/绝缘电阻	≥ 100MΩ			
Pin contact/插针材料	CuZn			
Socket contact/插孔材料	CuSn			
Contact plating/针孔镀层材料	Au			

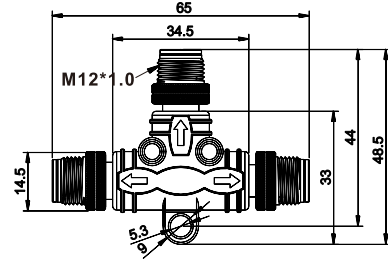
M12 Circular connectors

"T" Splitter

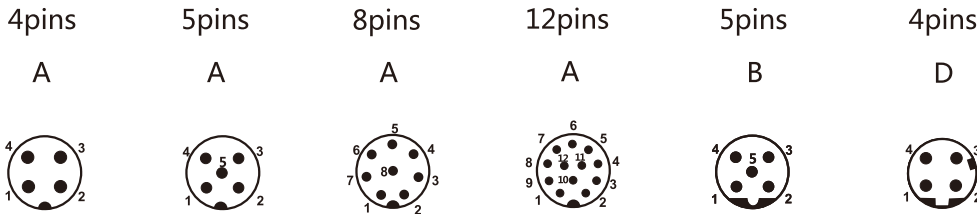
Product figure (Male to Dual Male)



Scale diagram



Contact layout/针孔排布 (Front view/前视图)



Order Data/订货信息

Contacts/芯数	Coding	Order No/订货号	P/N/料号
4pins	A	120104-10-003	SPM12TA04001
	D	120404-10-012	SPM12TD04001
5pins	A	120105-10-003	SPM12TA05001
	B	120205-10-007	SPM12TB05001
8pins	A	120108-10-005	SPM12TA08001
12pins	A	120112-10-007	SPM12TA12001

Specifications/技术参数

Number of contacts/芯数	4	5	8	12
Termination/接线方式	—			
Wire gauge/线规	—			
Operating temperature/工作温度	-25°C ~ +80°C			
Mechanical operation/插拔次数	> 100 mating cycles			
Rated voltage/额定电压	250V	60V	30V	
Rated current (40°C)/额定电流	4A		2A	1.5A
Protection degree/防护等级	IP67/IP68			
Contact resistance/接触电阻	< 10mΩ			
Insulation resistance/绝缘电阻	≥ 100MΩ			
Pin contact/插针材料	CuZn			
Socket contact/插孔材料	CuSn			
Contact plating/针孔镀层材料	Au			

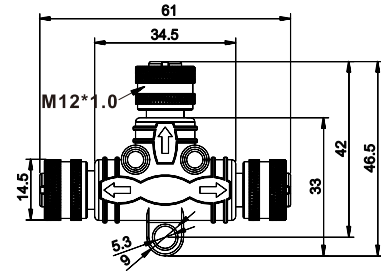
M12 Circular connectors

"T" Splitter

Product figure (Female to Dual Female)



Scale diagram



Contact layout/针孔排布 (Front view/前视图)

4pins

5pins

8pins

12pins

5pins

4pins

A

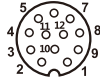
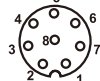
A

A

A

B

D



Order Data/订货信息

Contacts/芯数	Coding	Order No/订货号	P/N/料号
4pins	A	120104-10-004	SPM12TA04002
	D	120404-10-013	SPM12TD04002
5pins	A	120105-10-004	SPM12TA05002
	B	120205-10-008	SPM12TB05002
8pins	A	120108-10-006	SPM12TA08002
12pins	A	120112-10-008	SPM12TA12002

Specifications/技术参数

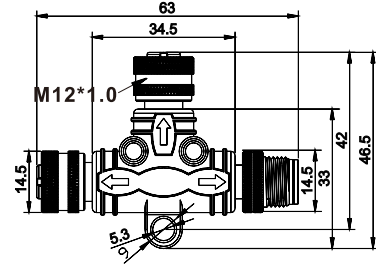
Number of contacts/芯数	4	5	8	12
Termination/接线方式	—			
Wire gauge/线规	—			
Operating temperature/工作温度	-25°C ~ +80°C			
Mechanical operation/插拔次数	> 100 mating cycles			
Rated voltage/额定电压	250V	60V	30V	
Rated current (40°C)/额定电流	4A		2A	1.5A
Protection degree/防护等级	IP67/IP68			
Contact resistance/接触电阻	< 10mΩ			
Insulation resistance/绝缘电阻	≥ 100MΩ			
Pin contact/插针材料	CuZn			
Socket contact/插孔材料	CuSn			
Contact plating/针孔镀层材料	Au			

M12 Circular connectors

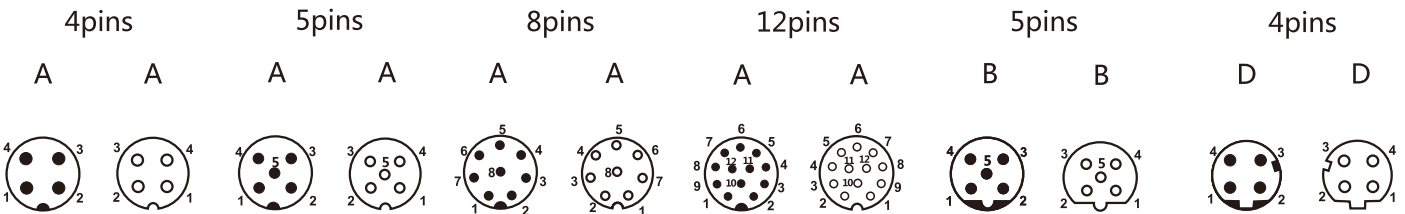
"T" Splitter

Product figure (Female to Male&Female)

Scale diagram



Contact layout/针孔排布 (Front view/前视图)



Contacts/芯数	Coding	Order No/订货号	P/N/料号
4pins	A	120104-10-005	SPM12TA04003
	D	120404-10-014	SPM12TD04003
5pins	A	120105-10-005	SPM12TA05003
	B	120205-10-009	SPM12TB05003
8pins	A	120108-10-007	SPM12TA08003
12pins	A	120112-10-009	SPM12TA12003

Specifications/技术参数

Number of contacts/芯数	4	5	8	12
Termination/接线方式	—			
Wire gauge/线规	—			
Operating temperature/工作温度	-25°C ~ +80°C			
Mechanical operation/插拔次数	> 100 mating cycles			
Rated voltage/额定电压	250V	60V	30V	
Rated current (40°C)/额定电流	4A		2A	1.5A
Protection degree/防护等级	IP67/IP68			
Contact resistance/接触电阻	< 10mΩ			
Insulation resistance/绝缘电阻	≥ 100MΩ			
Pin contact/插针材料	CuZn			
Socket contact/插孔材料	CuSn			
Contact plating/针孔镀层材料	Au			