

Field-attachable I/O Connector-M12 (Straight-male)

Description:

Used for sensors and I/O connecting. Standard threaded connection. Designed with the male port.
4, 5, 8-core are available. PG7(4-6mm) and PG9(6-8mm) output interface are optional.
Degree of protection IP67.

Features:

- Flexible screw joints and pin contact.
- Optional transparent housing.



Type Code

Housing material	Description	Type	Pin	Rated current/voltage	Cable ϕ
PA	4-core male	M12RS.4-0/C	4	4A/250V	4-6mm
	5-core male	M12RS.5-0/C	5	4A/60V	4-6mm
	4-core male	M12RS.4-9/C	4	4A/250V	6-8mm
	5-core male	M12RS.5-9/C	5	4A/60V	6-8mm
	8-core male	M12RS.8-9/C	8	2A/30V	6-8mm

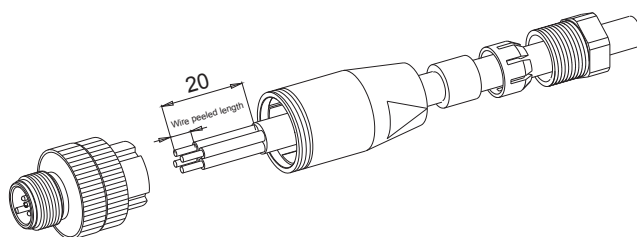
Selection Instructions

M12 RS.4 - 0/C

Attn: Standard

Additional information

1. Cross section of core, max.0.75mm².
2. If it connect to distribution box or IP67 module, please note the right match with the internal slot to avoid affecting the overall wiring.
3. The cable jacket peeled length is 20mm, and the wire peeled length is 5mm during mounting process.



Field-attachable I/O Connector-M12 (Straight-female)

Description:

Used for sensors and I/O connecting. Standard threaded connection. Designed with the female port.
4, 5, 8-core are available. PG7(4-6mm) and PG9(6-8mm) output interface are optional.
Degree of protection IP67.

Features:

- Flexible screw joints and pin contact.
- Optional transparent housing.



Type Code

Housing material	Description	Type	Pin	Rated current/voltage	Cable ϕ
PA	4-core female	M12RK.4-0/C	4	4A/250V	4-6mm
	5-core female	M12RK.5-0/C	5	4A/60V	4-6mm
	4-core female	M12RK.4-9/C	4	4A/250V	6-8mm
	5-core female	M12RK.5-9/C	5	4A/60V	6-8mm
	8-core female	M12RK.8-9/C	8	2A/30V	6-8mm

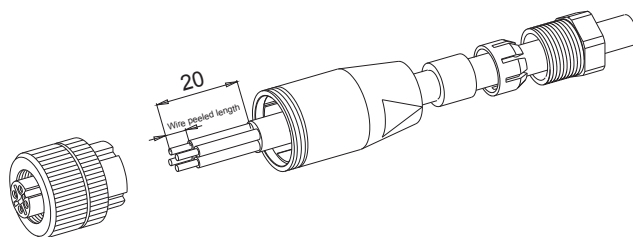
Selection Instructions

M12 RK.4 - 0/C

Attn: Standard

Additional information

1. Cross section of core, max. 0.75mm².
2. If it connect to distribution box or IP67 module, please note the right match with the internal slot to avoid affecting the overall wiring.
3. The cable jacket peeled length is 20mm, and the wire peeled length is 5mm during mounting process.



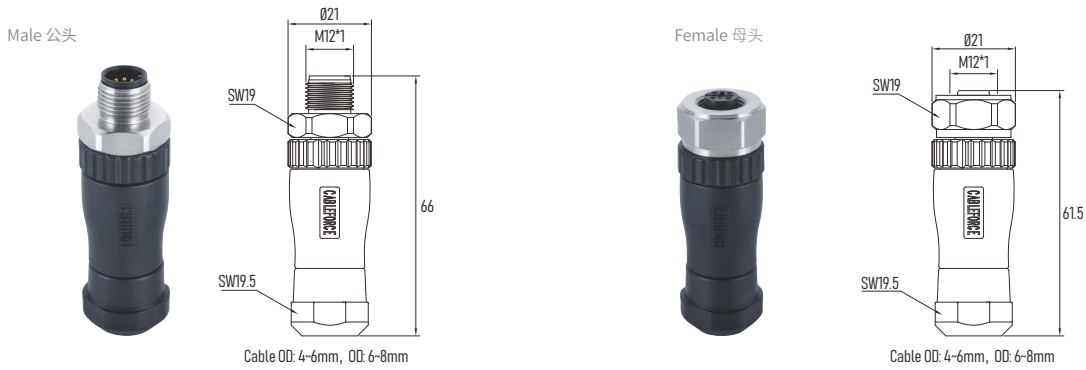
M12

Field attachable/ wireable connectors

- Degree of protection IP 67
- 3P, 4P, 5P, 8P, 12Pin are available
- Operating voltage: 300V-DC/ 250V-AC/ 60V/ 30V
- Current rating: 1.5A-4A
- PA+GF Housing / Metal shell
- Anti-vibration locking screw design



M12 Male/ Female, Field Wireable Connector, SUS 316[#] Stainless Steel Screw



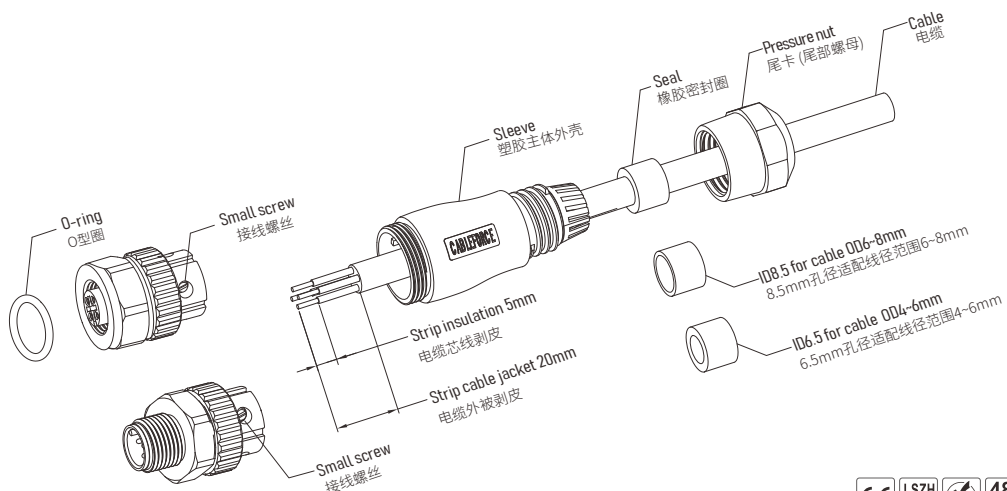
Connector Technical data 技术参数

Contacts No. 针位/芯数	3Pin	4Pin	5Pin	CAN / DVN	8Pin	12Pin
Front View 正视图						
Reference Standard 参照标准	IEC 61076-2-101					
Rated current 额定电流	4A			2A		1.5A
Rated voltage 额定电压	250V			60V		30V
Impulse voltage 脉冲高压	2500V			1500V		800V
Locking system 锁紧方式	M12 x 1.0 screw / M12 螺丝锁紧					
Tightening Torque 螺丝扭矩	Recommend/ 建议: 0.4Nm, Max/ 最大: 0.8Nm, Wire screw/ 接线螺丝: 0.2Nm, Cable gland/ 尾卡螺母: 0.4~1.0Nm					
Termination 接线方式	Screw fixing / 锁螺钉					
Wire gauge 适配线规	0.34mm ² (AWG 22)				0.25mm ² AWG24	
Cable outlet 适配线径	PG7 (4~6mm), PG9 (6~8mm)					
Rated temperature 温度范围	-25 °C ... +90 °C, -40 °C ... +125 °C					
Insulation resistance 绝缘电阻	≥ 100MΩ					
Contact resistance 接触电阻	≤ 5mΩ					
Connector body 外壳材料	PA66 + GF					
Contact carrier 胶芯材料	PA66 + GF					
Screw nut 螺丝材料	SUS 316 [#] Stainless Steel 不锈钢					
Contact Pin针端子	Male: Brass/ 公针: 黄铜; Female: Phosphor bronze/ 母针: 磷青铜					
Contacts plating 端子镀层	Au (Gold) 镀金					
O-ring 密封圈	FKM/ NBR 氟橡胶/ 丁腈橡胶					
Protection degree 防护等级	IP67, IP68					
Pollution degree 污染等级	3					

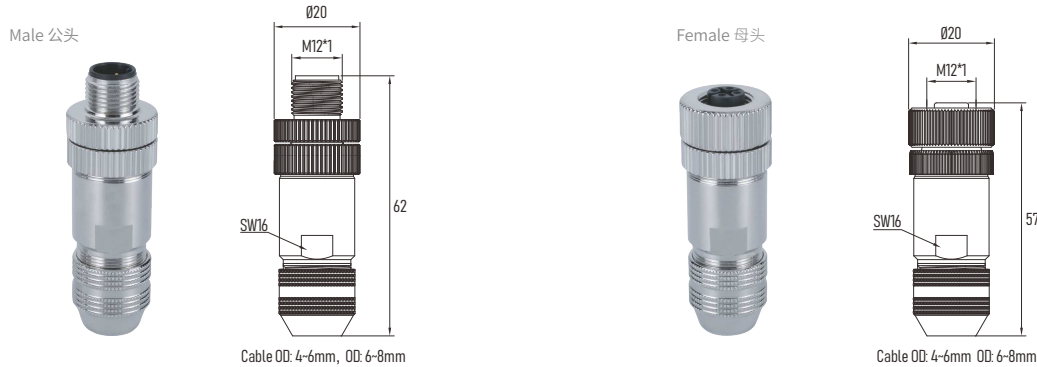
Ordering No. 订购料号

Poles 芯数	Male 公头 (M12x1.0 A-1/FG x0A/1+3) D	Female 母头 (M12x1.0 A-1/FG x0A/1+3) D
3 Pin	MC03A1LWAS	MC03A2LWAS
4 Pin	MC04A1LWAS	MC04A2LWAS
5 Pin	MC05A1LWAS	MC05A2LWAS
8 Pin	MC08A1LWAS	MC08A2LWAS
12 Pin	MCT12A1LWAS	MCT12A2LWAS

Assembly Instruction 组装式安装说明



M12 Male/ Female, Field Wire-able, EMI-Shielded, Screw Termination



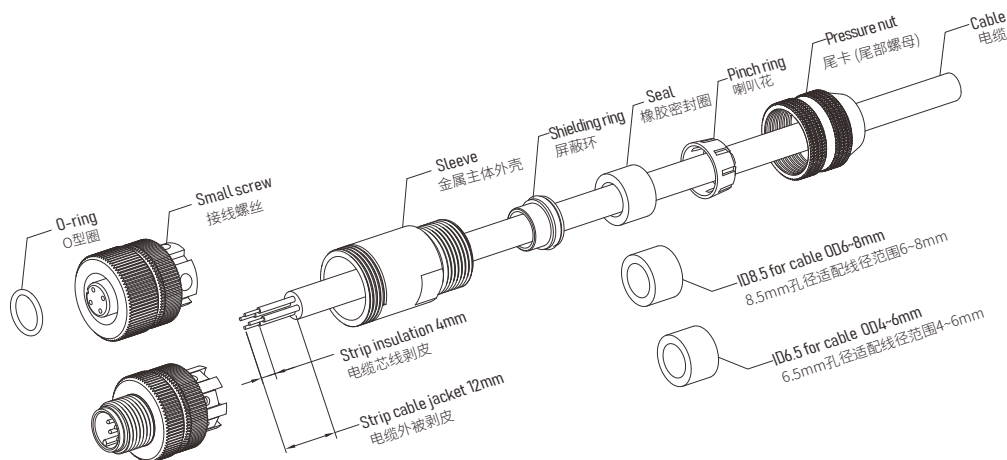
Connector Technical data 技术参数

Contacts No.	Pin位/芯数	4Pin D-Coding	5Pin A-Coding	5Pin B-Coding
Front View 正视图				
Reference Standard	参照标准	IEC 61076-2-101		
Rated current	额定电流	1~4A	4A	
Rated voltage	额定电压	250V	60V	
Impulse voltage	脉冲高压	2500V		
Locking system	锁紧方式	M12 x 1.0 screw / M12 螺丝锁紧		
Tightening Torque	螺丝扭矩	Recommend/ 建议: 0.4Nm, Max/ 最大: 0.8Nm, Wire screw/ 接线螺丝: 0.2Nm, Cable gland/ 尾卡螺母: 0.4~1.0Nm		
Termination	接线方式	Screw fixing / 锁螺钉		
Wire gauge	适配线规	0.34~0.14mm ² (AWG 22~26)	0.75~0.25mm ² (AWG 18~24)	
Cable outlet	适配线径	PG7 (4-6mm), PG9 (6-8mm)		
Rated temperature	温度范围	-25 °C ... +90 °C, -40 °C ... +125 °C		
Insulation resistance	绝缘电阻	≥ 100MΩ		
Contact resistance	接触电阻	≤ 5mΩ		
Connector body	外壳材料	Brass/ Zinc Die-cast 金属车件或压铸件		
Contact carrier	胶芯材料	PA66 + GF		
Screw nut	螺丝材料	Brass, CNC, nickel-plated 黄铜 镀镍 机加工		
Contact	Pin针端子	Male: Brass/ 公针: 黄铜; Female: Phosphor bronze/ 母针: 磷青铜		
Contacts plating	端子镀层	Au (Gold) 镀金		
O-ring	密封圈	FKM/ Silicon O-Ring 氟橡胶/ 硅胶		
Protection degree	防护等级	IP67, IP68		
Pollution degree	污染等级	3		

Ordering No. 订购料号

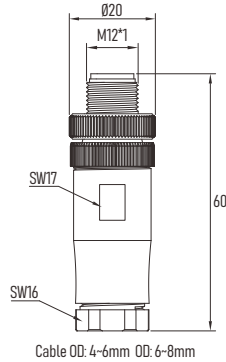
Poles 芯数	Male 公头 (M12x1.0)	Female 母头 (M12x1.0)
3 Pin	MC03A1LWASB	MC03A2LWASB
4 Pin	MC04A1LWASB	MC04A2LWASB
5 Pin	MC05A1LWASB	MC05A2LWASB
8 Pin	MC08A1LWASB	MC08A2LWASB
12 Pin	MC12A1LSASB	MC12A2LSASB

Assembly Instruction 组装式安装说明

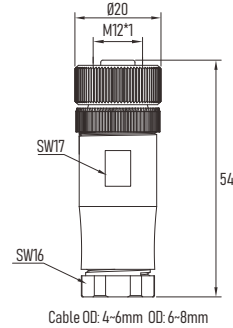


M12 Male/ Female, Field Wireable Connector

Male 公头



Female 母头



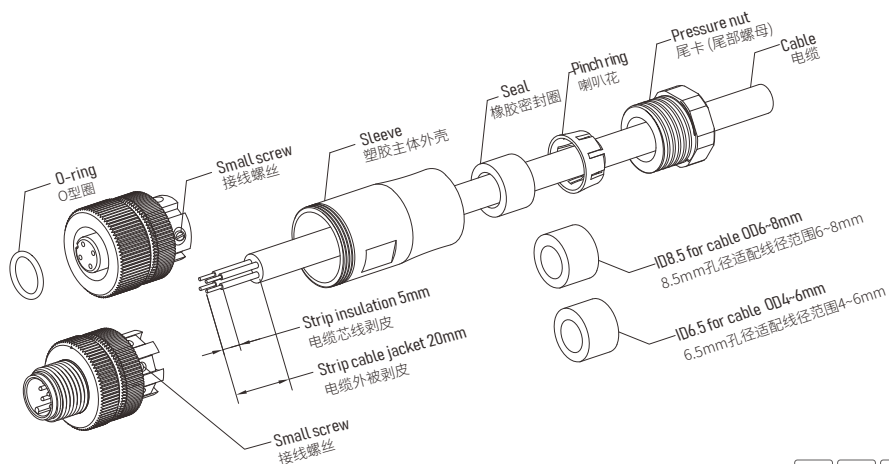
Connector Technical data 技术参数

Contacts No. Pin位/芯数	3Pin	4Pin	5Pin	CAN / DVN	8Pin	12Pin
Front View 正视图						
Reference Standard 参照标准	IEC 61076-2-101					
Rated current 额定电流	4A			2A		1.5A
Rated voltage 额定电压	250V			60V		30V
Impulse voltage 脉冲高压	2500V			1500V		800V
Locking system 锁紧方式	M12 x 1.0 screw / M12 螺丝锁紧					
Tightening Torque 螺丝扭矩	Recommend/ 建议: 0.4Nm, Max/ 最大: 0.8Nm, Wire screw/ 接线螺丝: 0.2Nm, Cable gland/ 尾卡螺母: 0.4~1.0Nm					
Termination 接线方式	Screw fixing / 锁螺钉					
Wire gauge 适配线规	0.34mm ² (AWG 22)				0.25mm ² AWG24	
Cable outlet 适配线径	PG7 (4~6mm), PG9 (6~8mm)		0.14mm ² (AWG 26)			
Rated temperature 温度范围	-25 °C.....+90 °C, -40 °C ... +125 °C					
Insulation resistance 绝缘电阻	≥ 100MΩ					
Contact resistance 接触电阻	≤ 5mΩ					
Connector body 外壳材料	PA66 + GF					
Contact carrier 胶芯材料	PA66 + GF					
Screw nut 螺丝材料	Brass, CNC, nickel-plated 黄铜 镀镍 机加工					
Contact Pin针端子	Brass/ 黄铜					
Contacts plating 端子镀层	Au (Gold) 镀金					
O-ring 密封圈	FKM/ NBR 氟橡胶/ 丁腈橡胶					
Protection degree 防护等级	IP67, IP68					
Pollution degree 污染等级	3					

Ordering No. 订购料号

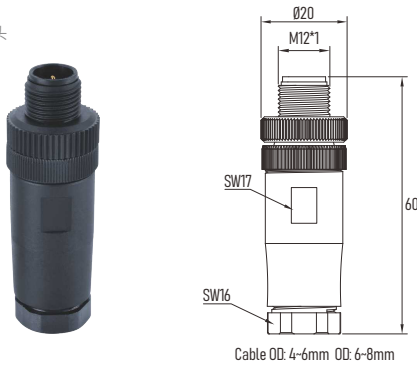
Poles 芯数	Male 公头 $\text{Ø20} \times \text{M12} \times \text{L} \times \text{A} \times \text{FG} \times \text{O} \times \text{K} \times \text{N} \times \text{a} \times \text{D}$		Female 母头 $\text{Ø20} \times \text{M12} \times \text{L} \times \text{A} \times \text{FG} \times \text{O} \times \text{K} \times \text{N} \times \text{a} \times \text{D}$	
	PG7 (4-6mm)	PG9 (6-8mm)	PG7 (4-6mm)	PG9 (6-8mm)
3 Pin	MC03A1LWAB-P7	MC03A1LWAB-P9	MC03A2LWAB-P7	MC03A2LWAB-P9
4 Pin	MC04A1LWAB-P7	MC04A1LWAB-P9	MC04A2LWAB-P7	MC04A2LWAB-P9
5 Pin	MC05A1LWAB-P7	MC05A1LWAB-P9	MC05A2LWAB-P7	MC05A2LWAB-P9
8 Pin	MC08A1LWAB-P7	MC08A1LWAB-P9	MC08A2LWAB-P7	MC08A2LWAB-P9
12 Pin	MC12A1LWAB-P7	MC12A1LWAB-P9	MC12A2LWAB-P7	MC12A2LWAB-P9

Assembly Instruction 组装式安装说明



M12 Male/ Female, Field Wireable Connector, Plastic screw

Male 公头



Female 母头



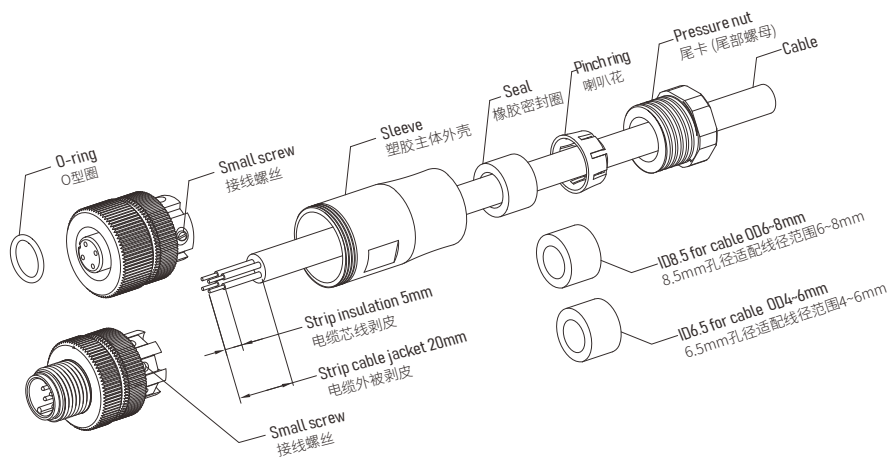
Connector Technical data 技术参数

Contacts No.	Pin位/芯数	3Pin	4Pin	5Pin	CAN / DVN	8Pin	12Pin	
Front View	正视图							
	侧视图							
Reference Standard	参照标准	IEC 61076-2-101						
Rated current	额定电流	4A				2A		1.5A
Rated voltage	额定电压	250V			60V		30V	
Impulse voltage	脉冲高压	2500V			1500V		800V	500V
Locking system	锁紧方式	M12 x 1.0 screw / M12 螺丝锁紧						
Tightening Torque	螺丝扭矩	Recommend/ 建议: 0.4Nm, Max/ 最大: 0.8Nm, Wire screw/ 接线螺丝: 0.2Nm, Cable gland/ 尾卡螺母: 0.4-1.0Nm						
Termination	接线方式	Screw fixing / 锁螺钉						
Wire gauge	适配线规	0.34mm ² (AWG 22)				0.25mm ² AWG24		0.14mm ² (AWG 26)
Cable outlet	适配线径	PG7 (4-6mm), PG9 (6-8mm)						
Rated temperature	温度范围	-25 °C ... +90 °C, -40 °C ... +125 °C						
Insulation resistance	绝缘电阻	≥100MΩ						
Contact resistance	接触电阻	≤ 5mΩ						
Connector body	外壳材料	PA66 + GF						
Contact carrier	胶芯材料	PA66 + GF						
Screw nut	螺丝材料	PA66 + GF						
Contact	Pin针端子	Male: Brass/ 公针: 黄铜; Female: Phosphor bronze/ 母针: 磷青铜						
Contacts plating	端子镀层	Au (Gold) 镀金						
O-ring	密封圈	FKM/ NBR 氟橡胶/ 丁腈橡胶						
Protection degree	防护等级	IP67, IP68						
Pollution degree	污染等级	3						

Ordering No. 订购料号

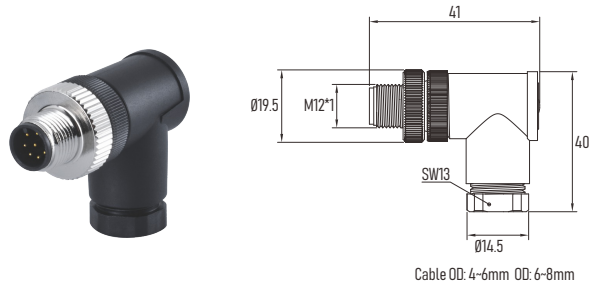
Poles 芯数	Male 公头	Female 母头
3 Pin	MC03A1LWASP	MC03A2LWASP
4 Pin	MC04A1LWASP	MC04A2LWASP
5 Pin	MC05A1LWASP	MC05A2LWASP
8 Pin	MC08A1LWASP	MC08A2LWASP
12 Pin	MC12A1LSASP	MC12A2LSASP

Assembly Instruction 组装机安装说明

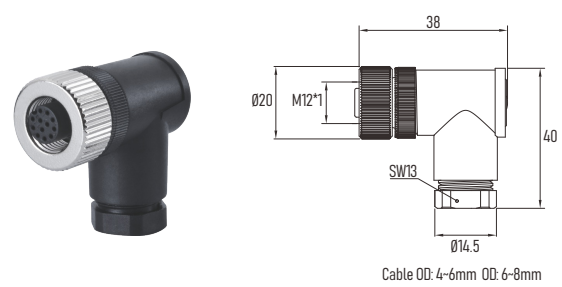


M12 Male/ Female, Fiedt Wire-able Connector, Right Angled, Screw Termination

Male 公头



Female 母头



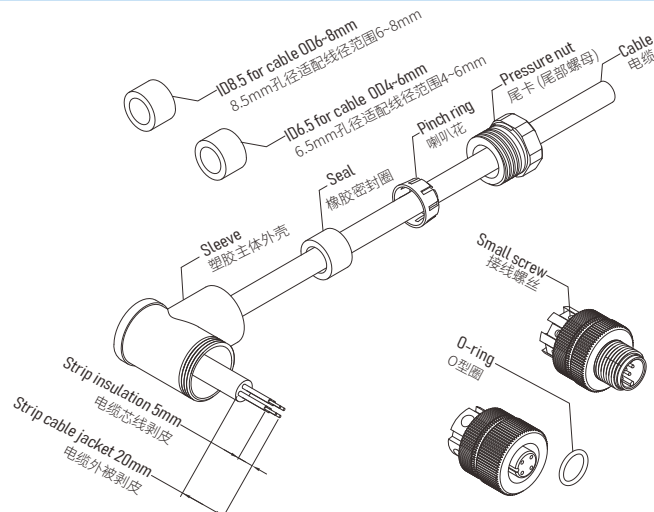
Connector Technical data 技术参数

Contacts No. Pin位/芯数	3Pin	4Pin	5Pin	CAN / DVN	8Pin	12Pin
Front View 正视图						
Reference Standard 参照标准	IEC 61076-2-101					
Rated current 额定电流	4A				2A	1.5A
Rated voltage 额定电压	250V		60V		30V	
Impulse voltage 脉冲高压	2500V		1500V		800V	
Locking system 锁紧方式	M12 x 1.0 screw / M12 螺丝锁紧					
Tightening Torque 螺丝扭矩	Recommend/ 建议: 0.4Nm, Max/ 最大: 0.8Nm, Wire screw/ 接线螺丝: 0.2Nm, Cable gland/ 尾卡螺母: 0.4-1.0Nm					
Termination 接线方式	Screw fixing / 锁螺钉					Soldering / 焊接
Wire gauge 适配线规	0.34mm ² (AWG 22)				0.25mm ² AWG24	0.14mm ² (AWG 26)
Cable outlet 适配线径	PG7 (4-6mm), PG9 (6-8mm)					
Rated temperature 温度范围	-25 °C ... +80 °C					
Insulation resistance 绝缘电阻	≥ 100MΩ					
Contact resistance 接触电阻	≤ 5mΩ					
Connector body 外壳材料	PA66 + GF					
Contact carrier 胶芯材料	PA66 + GF					
Screw nut 螺丝材料	Brass, CNC, nickel-plated 黄铜 镀镍 机加工					
Contact Pin针端子	Brass/ 黄铜					
Contacts plating 端子镀层	Au (Gold) 镀金					
O-ring 密封圈	FKM/ NBR 氟橡胶/ 丁腈橡胶					
Protection degree 防护等级	IP67, IP68					
Pollution degree 污染等级	3					

Ordering No. 订购料号

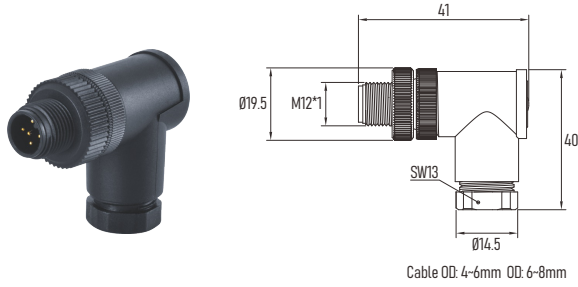
Poles 芯数	Male 公头		Female 母头	
	PG7 (4-6mm)	PG9 (6-8mm)	PG7 (4-6mm)	PG9 (6-8mm)
3 Pin	MC03A1RWAB-P7	MC03A1RWAB-P9	MC03A2RWAB-P7	MC03A2RWAB-P9
4 Pin	MC04A1RWAB-P7	MC04A1RWAB-P9	MC04A2RWAB-P7	MC04A2RWAB-P9
5 Pin	MC05A1RWAB-P7	MC05A1RWAB-P9	MC05A2RWAB-P7	MC05A2RWAB-P9
8 Pin	MC08A1RWAB-P7	MC08A1RWAB-P9	MC08A2RWAB-P7	MC08A2RWAB-P9
12 Pin	MC12A1RSAB-P7	MC12A1RSAB-P9	MC12A2RSAB-P7	MC12A2RSAB-P9

Assembly Instruction 组装式安装说明

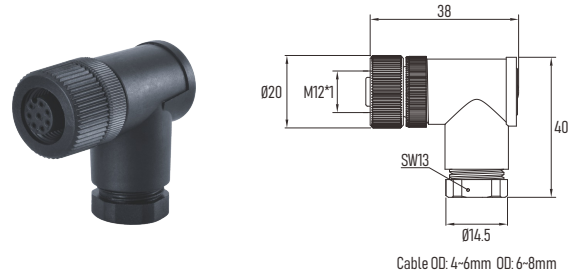


M12 Male/ Female, Fiedl Wire-able Connector, Right Angled, Screw Termination, Plastic

Male 公头



Female 母头



Connector Technical data 技术参数

Contacts No.	Pin位/芯数	3Pin	4Pin	5Pin	CAN / DVN	8Pin	12Pin
Front View 正视图							
Reference Standard 参照标准		IEC 61076-2-101					
Rated current 额定电流		4A				2A	1.5A
Rated voltage 额定电压		250V				60V	30V
Impulse voltage 脉冲高压		2500V				1500V	800V
Locking system 锁紧方式		M12 x 1.0 screw / M12 螺丝锁紧					
Tightening Torque 螺丝扭矩		Recommend/ 建议: 0.4Nm, Max/ 最大: 0.8Nm, Wire screw/ 接线螺丝: 0.2Nm, Cable gland/ 尾卡螺母: 0.4~1.0Nm					
Termination 接线方式		Screw fixing / 锁螺钉					
Wire gauge 适配线规		0.34mm ² (AWG 22)				0.25mm ² AWG24	
Cable outlet 适配线径		PG7 (4-6mm), PG9 (6-8mm)				0.14mm ² (AWG 26)	
Rated temperature 温度范围		-25 °C ... +80 °C					
Insulation resistance 绝缘电阻		≥ 100MΩ					
Contact resistance 接触电阻		≤ 5mΩ					
Connector body 外壳材料		PA66 + GF					
Contact carrier 胶芯材料		PA66 + GF					
Screw nut 螺丝材料		PA66 + GF					
Contact Pin针端子		Brass/ 黄铜					
Contacts plating 端子镀层		Au (Gold) 镀金					
O-ring 密封圈		FKM/ NBR 氟橡胶/ 丁腈橡胶					
Protection degree 防护等级		IP67, IP68					
Pollution degree 污染等级		3					

Ordering No. 订购料号

Poles 芯数	Male 公头		Female 母头	
	PG7 (4-6mm)	PG9 (6-8mm)	PG7 (4-6mm)	PG9 (6-8mm)
3 Pin	MC03A1RWAP-P7	MC03A1RWAP-P9	MC03A2RWAP-P7	MC03A2RWAP-P9
4 Pin	MC04A1RWAP-P7	MC04A1RWAP-P9	MC04A2RWAP-P7	MC04A2RWAP-P9
5 Pin	MC05A1RWAP-P7	MC05A1RWAP-P9	MC05A2RWAP-P7	MC05A2RWAP-P9
8 Pin	MC08A1RWAP-P7	MC08A1RWAP-P9	MC08A2RWAP-P7	MC08A2RWAP-P9
12 Pin	MC12A1RWAP-P7	MC12A1RWAP-P9	MC12A2RWAP-P7	MC12A2RWAP-P9

Assembly Instruction 组装式安装说明

