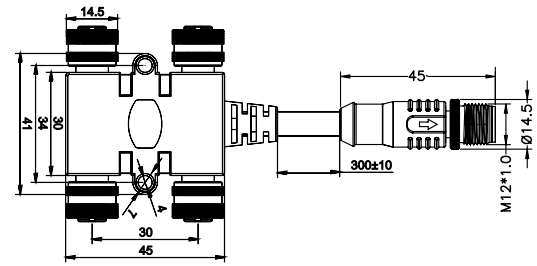


M12 Multi-port Splitters

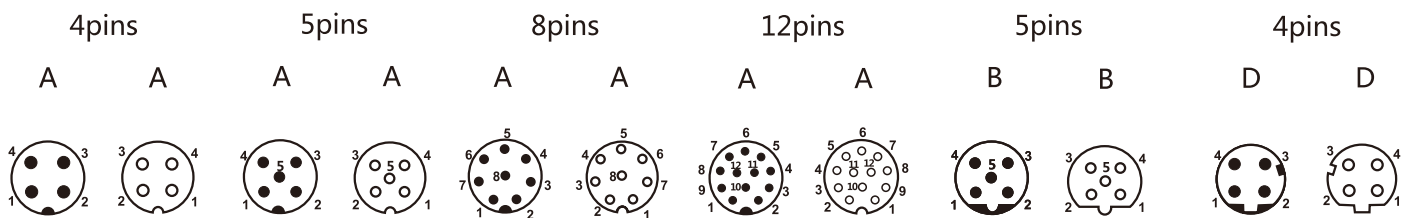
Product figure (Male to 4 Females)



Scale diagram



Contact layout/针孔排布 (Front view/前视图)



Order Data/订货信息

Contacts/芯数	Coding	Order No/订货号	P/N/料号
4pins	A		SPM12TA04004
	D	120404-10-016	SPM12TD04005
5pins	A	120105-10-006	SPM12TA05004
	B	120205-10-011	SPM12TB05005
8pins	A	120108-10-008	SPM12TA08004
12pins	A	120112-10-011	SPM12TA12005

Specifications/技术参数

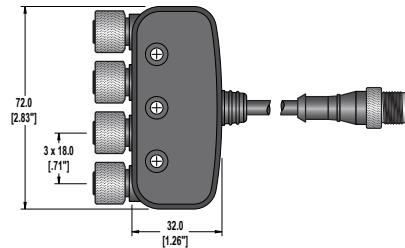
Number of contacts/芯数	4	5	8	12
Termination/接线方式	—			
Wire gauge/线规	—			
Operating temperature/工作温度	-25°C~+80°C			
Mechanical operation/插拔次数	> 100 mating cycles			
Rated voltage/额定电压	250V	60V	30V	
Rated current (40°C)/额定电流	4A		2A	1.5A
Protection degree/防护等级	IP67/IP68			
Contact resistance/接触电阻	< 10mΩ			
Insulation resistance/绝缘电阻	≥100MΩ			
Pin contact/插针材料	CuZn			
Socket contact/插孔材料	CuSn			
Contact plating/针孔镀层材料	Au			

M12 Multi-port Splitters

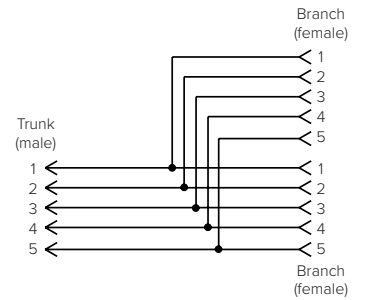
Cable: PVC jacket, PUR (polyurethane) connector body, nickel-plated brass coupling nut

Temperature: -40° to +90° C

Environmental Rating: IP68



Example of Parallel 5-Pin Wiring (diagram applies to all branches)



5-Pin (Voltage: 30 V dc/ac, Current: 2 A)

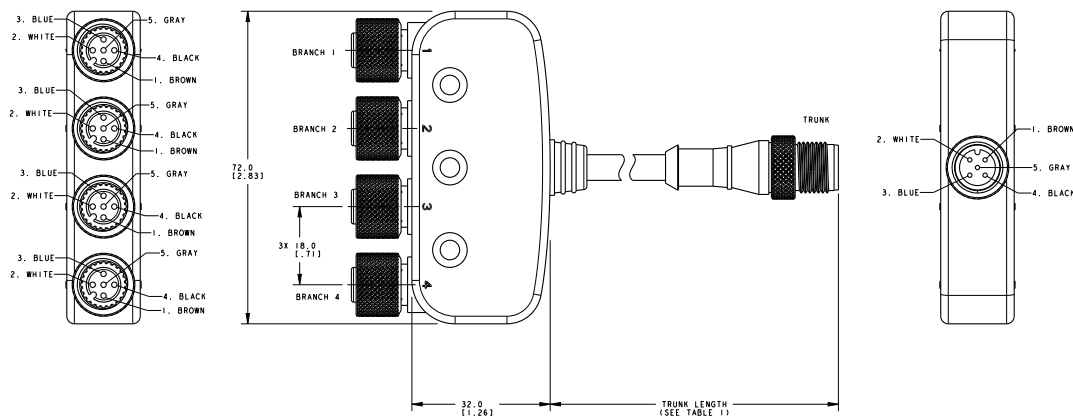


Models	Cable Lengths		Pinout
	Branches (Female)	Trunk (Male)	
5-Pin CSB4-M1251M1250 Art. Nr. 3808663	4 x No Branch / Integral QD	0.3 m	<p>Female</p> <p>1 = Brown 2 = White 3 = Blue 4 = Black 5 = Grey</p> <p>Male</p> <p>4 x 22 AWG Cable ø – 5.6 mm</p>

M12 Multi-port Splitters

SPEZIFIKATIONEN

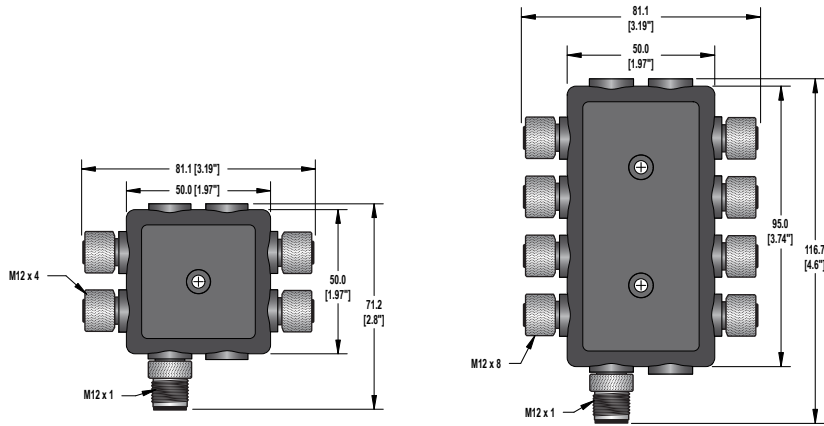
Shield/No Shield	No Shield
IP Rating	IP67
Trunk Length (m)	0.30
Branches: Number of Contacts	5, 5, 5, 5
Branches: Genders	Female, Female, Female, Female
Minimum Temp. (Celsius)	-40
Branches: Orientations	Straight, Straight, Straight, Straight
Trunk: Cable Jacket Material	0.3m PVC
Wiring	Parallel
Splitter: Overmold Material and Color	PUR Black
Trunk: Gender	Male
Trunk: Orientation	Straight
Maximum Temp. (Celsius)	105
Trunk: Number of Contacts	5
Trunk: Connector Type	M12
Current Rating (A)	4.0
Number of Branches	4
Branches: Connector Types	M12, M12, M12, M12
Voltage Rating (V)	250 V ac/dc



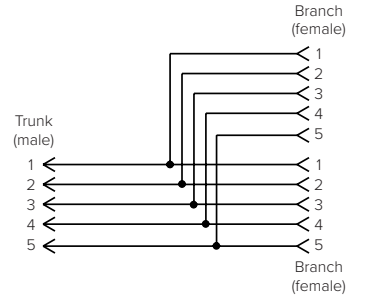
M12 Molded Junction Blocks

Temperature: -40 to +70 °C

Environmental Rating: IP65, IP67, and IP68



Example of Parallel 5-Pin Wiring (diagram applies to all branches)



5-Pin (Voltage: 30 V dc/ac, Current: 2 A)



	Models	Cable Lengths		Pinout
		Branches (Female)	Trunk (Male)	
5-Pin	R50-4M125-M125Q-P Art. Nr. 3813370	4 x No Branch/ Integral QD	No Trunk/Integral QD	<p>Male</p> <p>1 = Brown 2 = White 3 = Blue 4 = Black 5 = Gray</p> <p>Female</p> <p>1 = Brown 2 = White 3 = Blue 4 = Black 5 = Gray</p>
	R95-8M125-M125Q-P	8 x No Branch/ Integral QD	No Trunk/Integral QD	

M12 Splitters, Combiners, and Tees

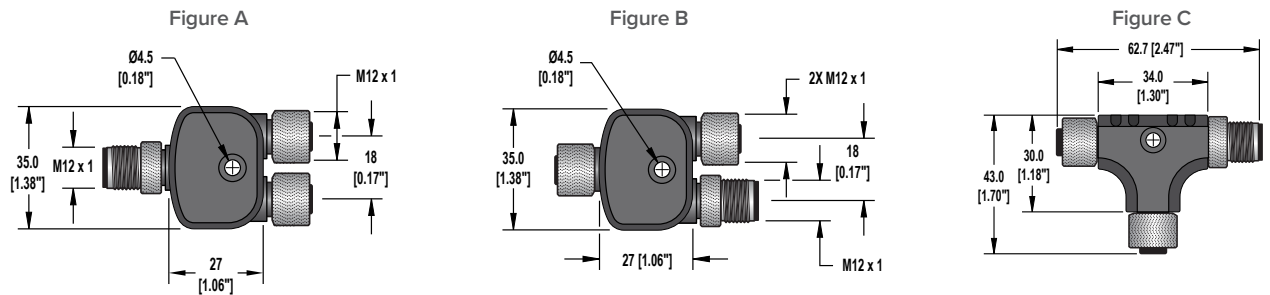
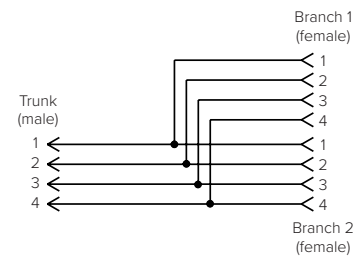
Compact Flat QD Splitters and Tees

Cable: PVC jacket, PUR (polyurethane) connector body, nickel-plated brass coupling nut

Temperature: -40 to +90 °C

Environmental Rating: IP68

Example of Parallel 4-Pin Wiring



4-Pin (Voltage: 250 V dc/ac, Current: 4 A)



	Models	Dimensional Drawing	Pinout
4-Pin	CSB-M1240M1240	Figure A	<p>Female</p> <p>1 = Brown 2 = White 3 = Blue 4 = Black</p> <p>Male</p> <p>22 AWG Cable ø – 6.0 mm</p>

5-Pin (Voltage: 30 V dc/ac, Current: 2 A)



	Models	Dimensional Drawing	Pinout
5-Pin	CSB-M1250M1250-T	Figure C	<p>Female</p> <p>1 = Brown 2 = White 3 = Blue 4 = Black 5 = Gray</p> <p>Male</p> <p>22 AWG Cable ø – 5.5 mm</p>
	CSB-M1250M1250A	Figure A	
	CSB-M1250M1250	Figure B	

8-Pin (Voltage: 60 V dc/ac, Current: 2 A)



	Models	Dimensional Drawing	Pinout
8-Pin	CSB-M1280M1280	Figure A	<p>Female</p> <p>1 = Brown 2 = Or/Bk 3 = Orange 4 = White 5 = Black 6 = Blue 7 = Gr/Ye 8 = Violet</p> <p>Male</p> <p>22 AWG Cable ø – 6.0 mm</p>

M12 Splitters, Combiners, and Tees

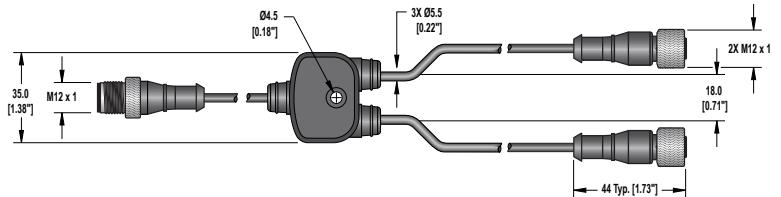
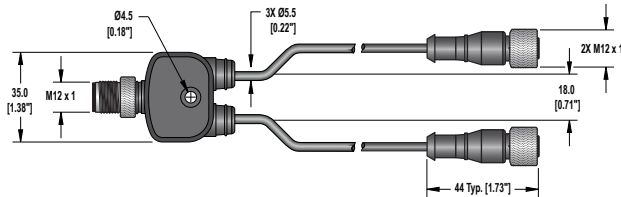
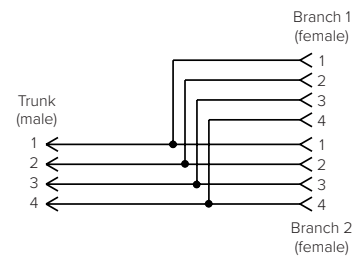
Flat QD Splitters

Cable: PVC jacket, PUR (polyurethane) connector body, nickel-plated brass coupling nut

Temperature: -40 to +90 °C

Environmental Rating: IP68

Example of Parallel 4-Pin Wiring



4-Pin (Voltage: 250 V dc/ac, Current: 4 A)



	Models	Cable Lengths		Pinout
		Trunk (Male)	Branches (Female)	
4-Pin	CSB-M1240M1241	No Trunk/Integral QD	2 x 0.3 m	Female 1 = Brown 2 = White 3 = Blue 4 = Black Male 22 AWG Cable ø – 6.0 mm
	CSB-M1241M1241	0.3 m	2 x 0.3 m	
	CSB-M1243M1243	1 m	2 x 1 m	
	CSB-M1248M1241	2.4 m	2 x 0.3 m	
	CSB-M12415M1241	4.6 m	2 x 0.3 m	
	CSB-UNT425M1241	7.6 m Unterminated	2 x 0.3 m	

5-Pin (Voltage: 30 V dc/ac, Current: 2 A)



	Models	Cable Lengths		Pinout
		Trunk	Branches	
5-Pin	CSB-M1251M1251B	0.3 m (Male)	2 x 0.3 m (Female)	Female 1 = Brown 2 = White 3 = Blue 4 = Black 5 = Gray Male 22 AWG Cable ø – 5.9 mm
	CSB-M1251FM1251M	0.3 m (Female)	2 x 0.3 m (Male)	

8-Pin (Voltage: 60 V dc/ac, Current: 2 A)



	Models	Cable Lengths		Pinout
		Trunk (Male)	Branches (Female)	
8-Pin	CSB-M1281M1281B	0.3 m	2 x 0.3 m	Female 1 = Brown 2 = Or/Bk 3 = Orange 4 = White 5 = Black 6 = Blue 7 = Gr/Ye 8 = Violet Male 22 AWG Cable ø – 6.0 mm