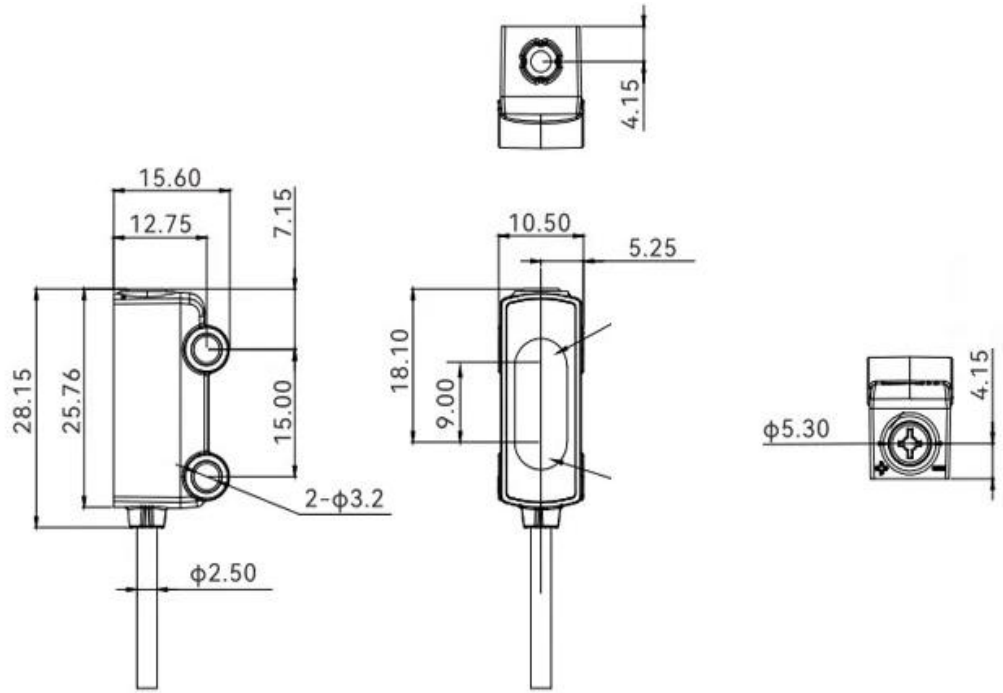
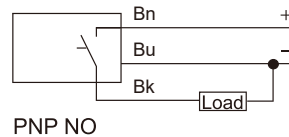


OTPTNBYPO

Optotaster - Blaulicht - HGA - Tw 100mm

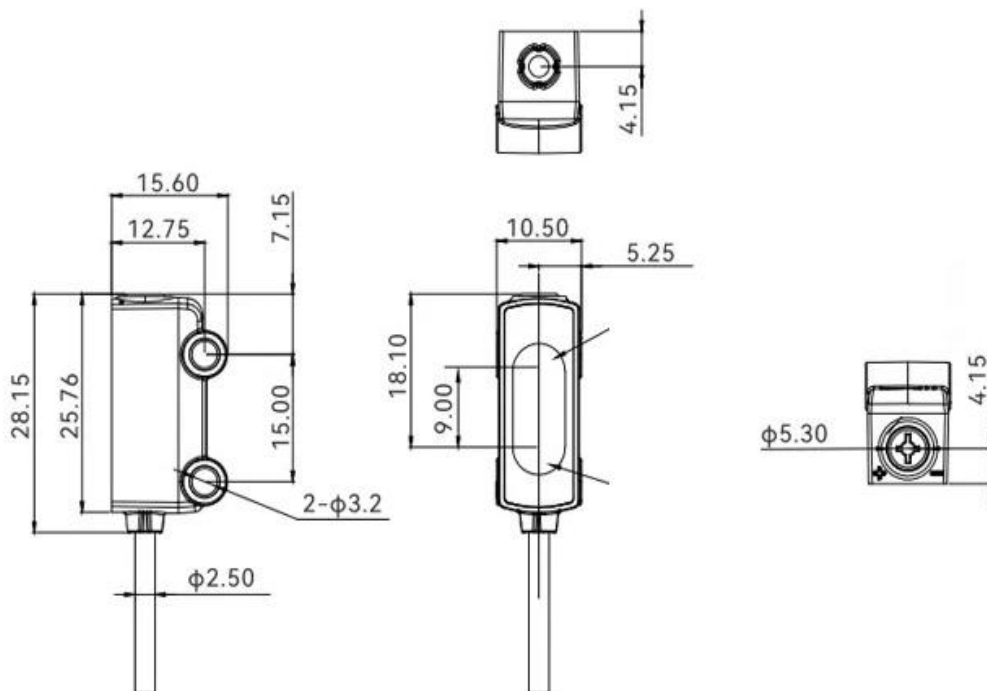


Optical working principle	Background suppression diffuse reflection	Operating temperature	-25°C~55°C, without freezing; No condensation
Detection Range	1~100mm	Storage Temperature	-10~55°C
set distance	10~100mm	Operating humidity	35~85%RH
Detection Range	white paper: 1-100mm, blue paper: 1-95mm, black paper: 10-80mm(white paper set 100mm)	Storage Humidity	35~95%RH
Spot Size	At 10cm: 10*10mm	Ambient light	Incandescent lamp ≤3000 Lux; Sunlight exposure ≤ 10,000 Lux
Light Source	Blue LED 465nm (modulated)	Vibration Resistance	10 to 55Hz, 1.5mm amplitude, 2 hours in each of the X, Y and Z directions
Indicator light	Output indicator: orange; Light source indicator: green	Protection rating	IP65
Sensitivity Adjustment	5 turns potentiometer	Maximum Tightening Torque	0.5 Nm or less
Switch Mode	L.on (into light action)	Connection Method	Φ2.5*2M/3pol PUR cable
Output Mode	PNP open collector	Dimensions	28.15 x14.7 x10.5 mm
Response Time	≤1ms	Material	PC+ABS
Repeatability	< 1%Sr	Weight	About 0.024kg
Operating Voltage	12~24V DC±10%	Accessories	Mounting screws
Current consumed	< 20mA	Detected Object	φ5mm opaque object
Residual Voltage	< 1V		
Load Current	≤100mA (24VDC)		
Insulation Resistance	≥50MΩ (500VDC)		
Withstand Voltage	±500V 50/60Hz60s		
ProtectiOn Circuit	Reverse polarity protection/ surge protection/short circuit protection		



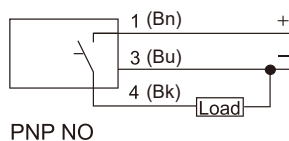
OTPTNBYPOM8

Optotaster - Blaulicht - HGA - Tw 100mm



Optical working principle	Background suppression diffuse reflection
Detection Range	1~100mm
set distance	10~100mm
Detection Range	white paper: 1-100mm, blue paper: 1-95mm, black paper: 10-80mm(white paper set 100mm)
Spot Size	At 10cm: 10*10mm
Light Source	Blue LED 465nm (modulated)
Indicator light	Output indicator: orange; Light source indicator: green
Sensitivity Adjustment	5 turns potentiometer
Switch Mode	L.on (into light action)
Output Mode	PNP open collector
Response Time	≤1ms
Repeatability	<1%Sr
Operating Voltage	12~24V DC±10%
Current consumed	< 20mA
Residual Voltage	< 1V
Load Current	≤100mA (24VDC)
Insulation Resistance	≥50MΩ (500VDC)
Withstand Voltage	±500V 50/60Hz60s
ProtectiOn Circuit	Reverse polarity protection/ surge protection/short circuit protection

Operating temperature	-25°C~55°C, without freezing; No condensation
Storage Temperature	-10~55°C
Operating humidity	35~85%RH
Storage Humidity	35~95%RH
Ambient light	Incandescent lamp ≤3000 Lux; Sunlight exposure ≤ 10,000 Lux
Vibration Resistance	10 to 55Hz, 1.5mm amplitude, 2 hours in each of the X, Y and Z directions
Protection rating	IP65
Maximum Tightening Torque	0.5 Nm or less
Connection Method	M8 pigtail plug with Φ2.5*0.2M/3pol. PUR cable
Dimensions	28.15 x14.7 x10.5 mm
Material	PC+ABS
Weight	About 0.024kg
Accessories	Mounting screws
Detected Object	φ5mm opaque object



0,2m PUR cable with M8 male 3-pole