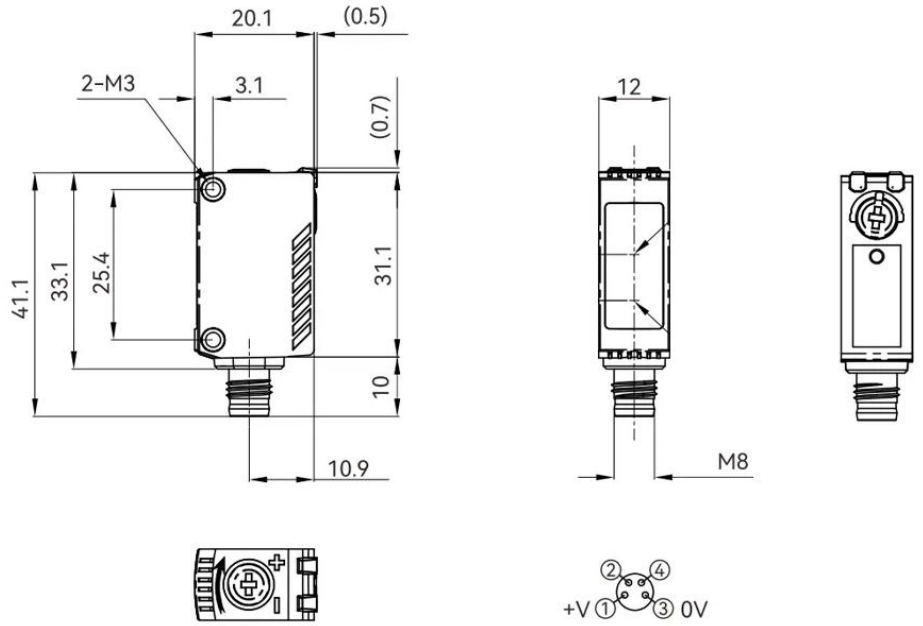


OTESBBY30APE

Optotaster - Blaulicht - HGA - Tw 300mm



Optical working principle	Background suppression diffuse reflection	Withstand Voltage	1000V AC, 50/60Hz, 1 minute
Detection Range	5~300mm	ProtectiOn Circuit	Reverse polarity protection/Surge protection/Short-circuit protection
set distance	25~300mm	Operating temperature	-25°C~+55°C (no freezing)
Spot Size	ø18mm/150mm	Storage Temperature	-30~+70°C (no freezing)
Light Source	Blue Light (470nm)	Operating humidity	35~85%RH (no condensation)
Indicator light	Operation: Green; Output: Red	Storage Humidity	35~95%RH (no condensation)
Sensitivity Adjustment	6-turn potentiometer	Ambient light	Incandescent lamp ≤3000Lux; Sunlight ≤10000Lux
Switch Mode	L.on (Light On)/D.on (Dark On) switchable	Vibration Resistance	10~50Hz, 1.5mm amplitude, X, Y, Z directions for 2 hours each
Output Mode	NPN or PNP open-collector type selectable	Protection rating	IP67
Response Time	1ms	Maximum Tightening Torque	0.5Nm
Switching frequency	500Hz	Connection Method	M8/4-pin connector
Operating Voltage	10~30V DC±10%	Dimensions	31.0x20.0x11.0mm
Current consumed	≤20mA	Material	Housing: PC+ABS; Lens: PMMA
Residual Voltage	<1.5V	Weight	10g
Load Current	≤100mA		
Insulation Resistance	≥20MΩ/500V DC		

