

# Inductive Sensors with Special Properties

## High temperature sensors

### M18x1, M30x1.5, 25x50x10 mm



M18x1	M18x1	M30x1.5	M30x1.5	25x50x10 mm
Flush	Flush	Flush	Non-flush	Flush
<b>5 mm</b>	<b>5 mm</b>	<b>10 mm</b>	<b>15 mm</b>	<b>5 mm</b>
0...4.1 mm	0...4.1 mm	0...8.1 mm	0...12.2 mm	0...4.1 mm
1X	1X	1X	1X	1X
<b>BES02H6</b>	<b>BES02H5</b>	<b>BES02H7</b>	<b>BES02HE</b>	<b>BES02J0</b>
BES 516-105-SA5	BES 516-105-SA2-05	BES 516-114-SA1-05	BES 516-125-SA1-05	BES 516-347-SA2-03
		<b>BES02HC</b>		
		BES 516-120-SA2		
10...30 V DC	10...30 V DC	10...30 V DC	10...30 V DC	24 V DC $\pm 10\%$
1.5 V	1.5 V	1.5 V	1.5 V	2.5 V
75 V DC	75 V DC	75 V DC	75 V DC	75 V DC
$\leq 400$ mA (fig. 4)	$\leq 400$ mA (fig. 4)	$\leq 400$ mA (fig. 4)	$\leq 400$ mA (fig. 4)	$\leq 25$ mA
Yes/No/No	Yes/No/No	Yes/No/No	Yes/No/No	Yes/Yes/Yes
<b>-25...+120 °C</b>	<b>-25...+120 °C</b>	<b>-25...+120 °C</b>	<b>-25...+120 °C</b>	<b>-25...+100 °C</b>
500 Hz	500 Hz	300 Hz	100 Hz	500 Hz
IP 67	IP 67, IP 60 cable outlet	IP 67, IP 60 cable outlet	IP 67, IP 60 cable outlet	IP 67, IP 60 cable outlet
CE	CE	CE	CE	CE
Brass-coated	Brass-coated	Brass-coated	Brass-coated	Cast aluminum
PBT	PBT	PBT	PA 12	PBT
M12 plug connector, 4-pin	5 m silicon cable, 19 AWG	Silicon cable, 19 AWG	5 m silicon cable, 19 AWG	3 m silicon cable, 19 AWG
BCC M415-0000-1A-003-EX44T2-020				



Inductive sensors

Global DC 3-wire

DC 3-/4-wire

DC 2-wire

AC/DC 2-wire

AC 2-wire

**Special properties**

High-pressure sensors

Strokemaster sensors

Steelface sensors

High temperature sensors

Harsh environment sensors

Factor 1 sensors

Weld field immune sensors

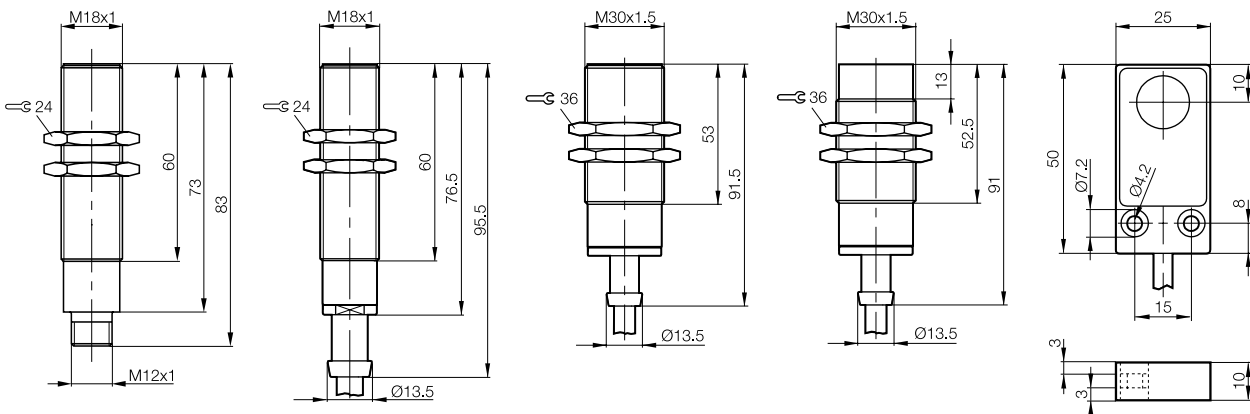
Large designs

Ring sensors

Tube sensors

Analog distance measurement

Accessories



Current reduction as a function of ambient temperature range

