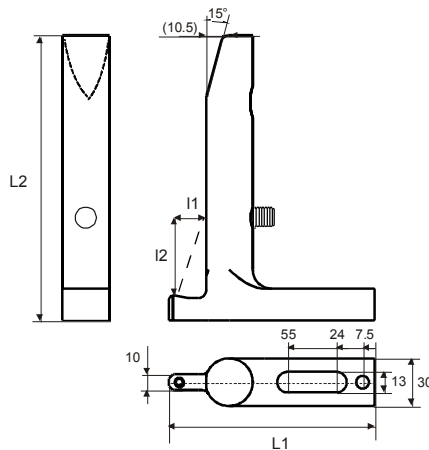
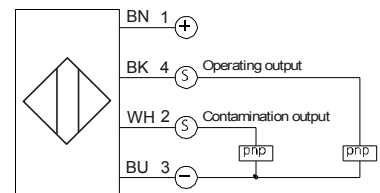


Optical Positioning Guides, PNP



- Robust hardened metal body as guide in stamping tooling
- Accurate 'laser-like' detection in x-, y- and z-direction
- Easy installation due to visible red light beam
- Intelligent contamination compensation and indication
- Fast reaction rate
- Listed in the automotive industry

Model	Reference	L1 x L2 [mm]	I1 x I2 [mm]	Output
Visible light $\lambda=620\text{nm}$				
O40-E0590-Q2SP-D-S2	2039.01	130 x 90	23 x 33	pnp NO
O51-E05120-Q2SP-D-S2	2040.01	130 x 120	23 x 47	pnp NO
O70-E05150-Q2SP-D-S2	2043.01	130 x 150	23 x 66	pnp NO
O90-E05180-Q2SP-D-S2	2041.01	130 x 180	23 x 85	pnp NO
O90-E05250-Q2SP-D-S2	2049.01	130 x 250	23 x 85	pnp NO
O90-E05300-Q2SP-D-S2	2050.01	130 x 300	23 x 85	pnp NO



ICBeam Technology

Our angled light barriers are optimized for rough industrial environments. A light transmittance 300% higher than standard products provide highest functional reserves. Contamination is indicated while the sensor still safely operates.

Fast reaction rate of 1 kHz make the product the ideal solution for parts handling and flow monitoring.

The low energy consumption of 20 mA or even 10 mA (special high-efficiency version) allows integration in complex (robotic) tooling along with a multitude of other energy using devices.

Function, I/O	
Supply voltage	10 ... 30 V DC
Output	< 200 mA, pnp, NO-NC
Internal power consumption	< 20 mA (optional < 10 mA ca.)
Voltage drop	< 2.0 V
Operating frequency	1 kHz
Connector	M12 (micro), 4-pin
Immunity	
Insulation voltage endurance	500 V
Ambient light immunity	> 20.000 Lux
Ambient temperature	-10 ... +60° C
Protection class	IP 67
Casing	
Casing material	Steel
Indicators	
Visible red light beam	Operating indication
LED yellow	Output
LED red	Contamination



ICBeam Technology integrated