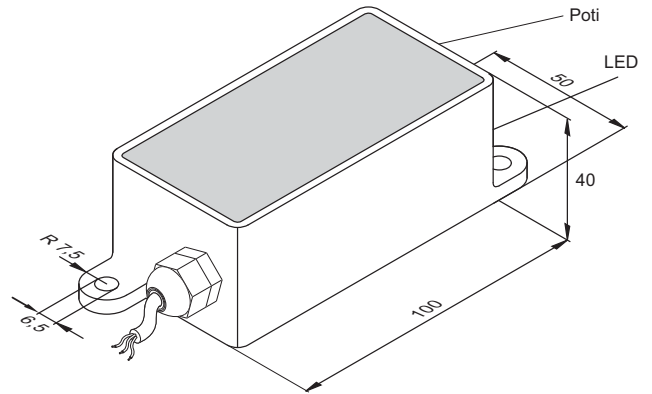
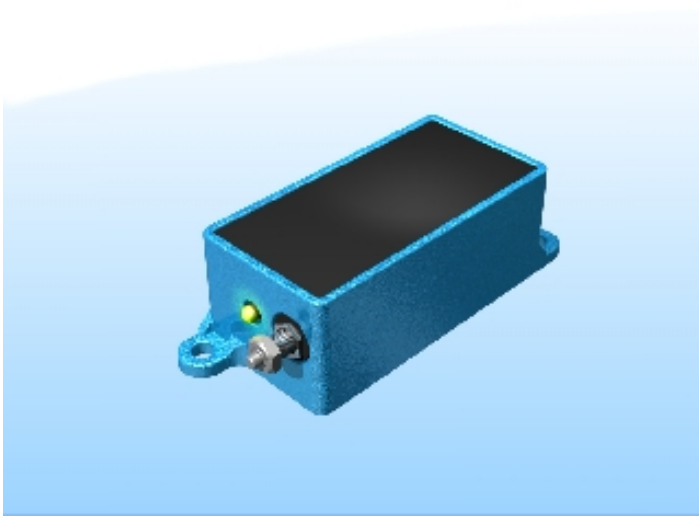



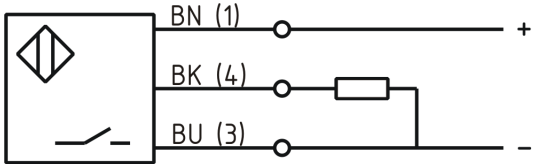


KJ70-Q100ABN-DPS-CR

Product Description

inductive sensor DC



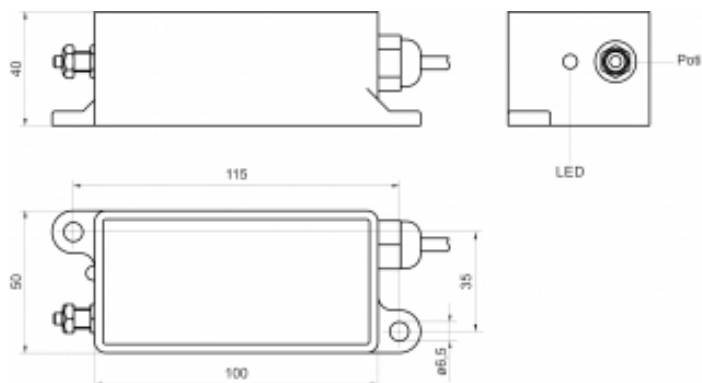
Name	KJ70-Q100ABN-DPS-CR
Order number	08316090100
Matchcode	9809-0100
Switching distance	10..70 mm
Mounting	 shielded / non shielded
Switch type	 - N.O.
Signal Type	DC PNP
Connection	 Cable
Connection diagramm	
Dimension (in mm)	Q 100 x 50 x 40

KJ70-Q100ABN-DPS-CR

Technical Specification

Operating voltage	10 - 30 VDC
Max. ripple	$\leq 10 \%$
Voltage drop	2,4 V
Max. load current	400 mA
No load current	$\leq 12 \text{ mA}$
Leakage current	$\leq 10 \mu\text{A}$
Switching frequency	300
Switching hysteresis	$\leq 15 \%$
Operating temperature	-25 ° C to 70 ° C
Temperature drift	$< 10 \%$
Repeat accuracy	$\leq 2 \%$
Switching state	LED
Short-circuit proof	yes
Overload protection	yes
Reverse voltage protection	yes
Protection category	IP67
EMC-level	DIN EN 60947-5-2: 2008
Housing material	Aluminum
Cable length	2 m
Utilisation category	DC 13
Cable material	PVC grau LIYY
Cable cross	3x0.34 mm ²
Notes	Schaltabstand über Potentiometer einstellbar.

Errors and omissions excepted



C+R Automations- GmbH

Nürnbergger Straße 45
90513 Zirndorf

Tel. +49 (0)911 656587-0
Fax +49 (0)911 656587-99

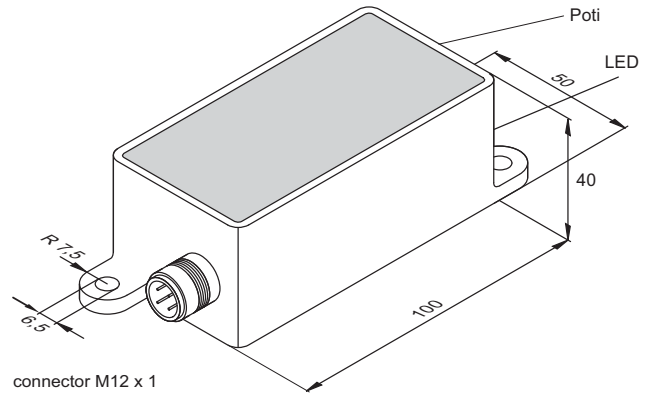
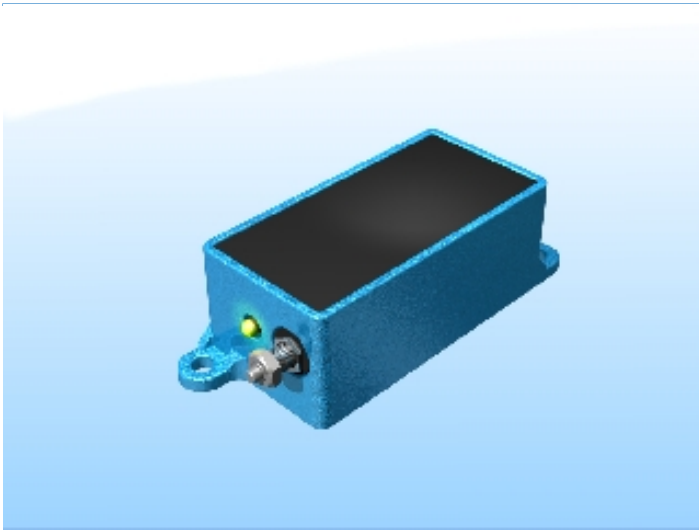
E-Mail: info@crautomation.de
www.crautomation.de



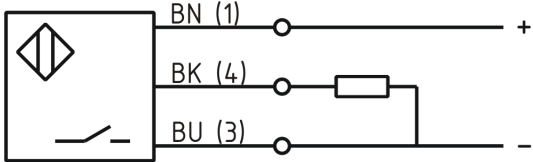
Änderungen vorbehalten

KJ70-Q100ABN-DPS-V2-CR

Product Description

inductive sensor DC



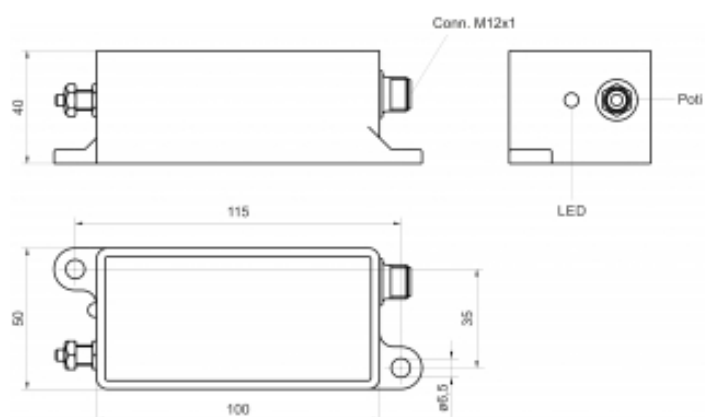
Name	KJ70-Q100ABN-DPS-V2-CR
Order number	08317090165
Matchcode	9809-0165
Switching distance	10..70 mm
Mounting	 shielded / non shielded
Switch type	 - N.O.
Signal Type	DC PNP
Connection	connector M12
Connection diagramm	
Dimension (in mm)	Q 100 x 50 x 40

KJ70-Q100ABN-DPS-V2-CR

Technical Specification

Operating voltage	10 - 30 VDC
Max. ripple	≤ 10 %
Voltage drop	2,4 V
Max. load current	400 mA
No load current	≤ 12 mA
Leakage current	≤ 10 μA
Switching frequency	300
Switching hysteresis	≤ 15 %
Operating temperature	-25 ° C to 70 ° C
Temperature drift	≤ 10 %
Repeat accuracy	≤ 10 %
Switching state	LED
Short-circuit proof	yes
Overload protection	yes
Reverse voltage protection	yes
Protection category	IP67
EMC-level	DIN EN 60947-5-2: 2008
Housing material	Aluminum
Utilisation category	DC 13
Termination	Connector M12 4pin
Notes	Schaltabstand über Poti einstellbar

Errors and omissions excepted



C+R Automations- GmbH

Nürnbergger Straße 45
90513 Zirndorf

Tel. +49 (0)911 656587-0
Fax +49 (0)911 656587-99

E-Mail: info@crautomation.de Änderungen vorbehalten
www.crautomation.de